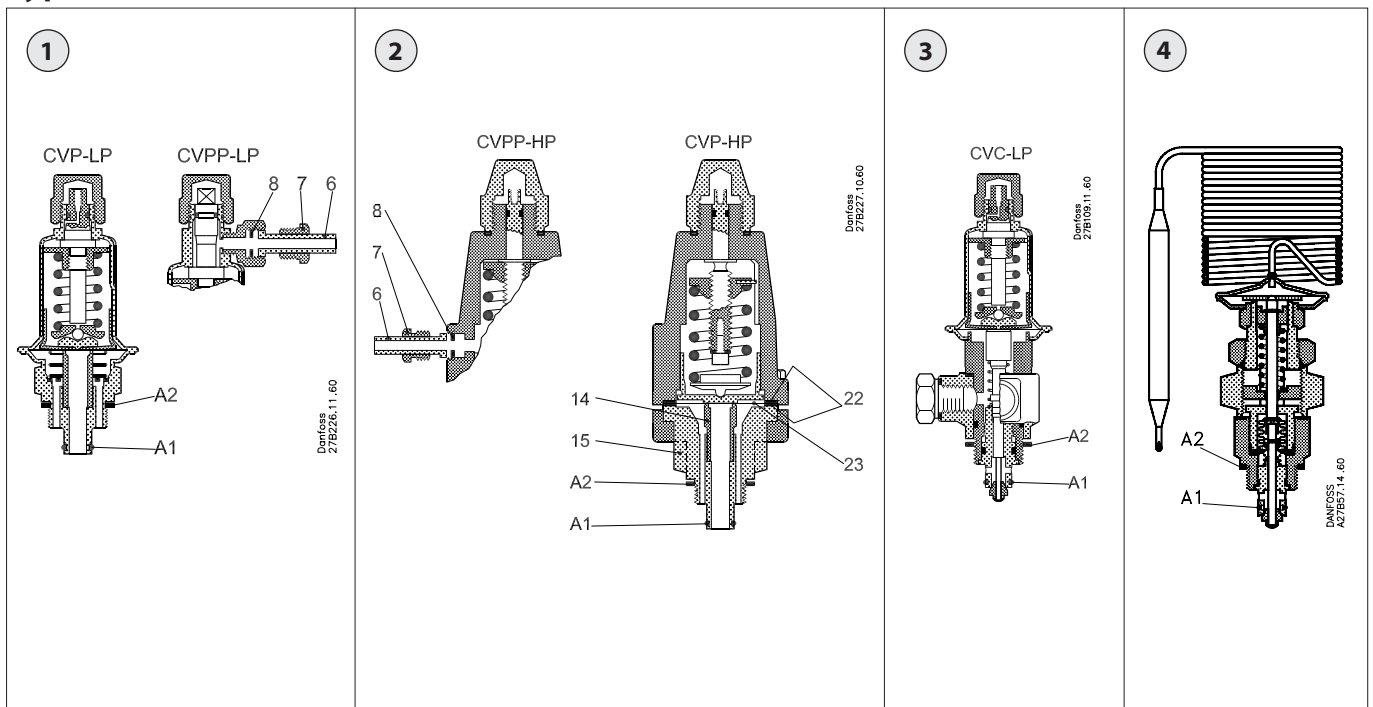


Data sheet – Spare parts and accessories

Pilot valves

Type CVP, CVPP, CVC and CVT



Description	Pos. #	Qty.	Code no.
<b>CVP (LP) (low pressure), pressure controlled, fig. 1</b>			
Seal kit:			027F0666
O-ring	A1	1	
Gasket	A2	1	
<b>CVPP (LP) (low pressure), differential pressure, controlled, fig. 1</b>			
Seal kit:			027F0666
O-ring	A1	1	
Gasket	A2	1	
Connection kit:			027B0120
Nipple	6	1	
Connector	7	1	
Alu gasket	8	1	
<b>CVP (HP) (high pressure), pressure controlled, fig. 2</b>			
Seal kit:			027F0666
O-ring	A1	1	
Gasket	A2	1	
Repair kit:			027B0164
Orifice	14	1	
Body	15	1	
Gasket	22	2	
Diaphragm	23	2	

Description	Pos. #	Qty.	Code no.
<b>CVPP (HP) (high pressure), differential pressure controlled, fig. 2</b>			
Seal kit:			027F0666
O-ring	A1	1	
Gasket	A2	1	
Connection kit:			027B0120
Nipple	6	1	
Connector	7	1	
Alu gasket	8	1	
<b>CVC-LP, pressure controlled with signal connector, fig. 3</b>			
Seal kit:			027F0666
O-ring	A1	1	
Gasket	A2	1	
<b>Accessory</b>			
Handwheel for adjustment		1	027B0039
<b>CVT, temperature controlled, fig. 4</b>			
Seal kit:			027F0666
O-ring	A1	1	
Gasket	A2	1	