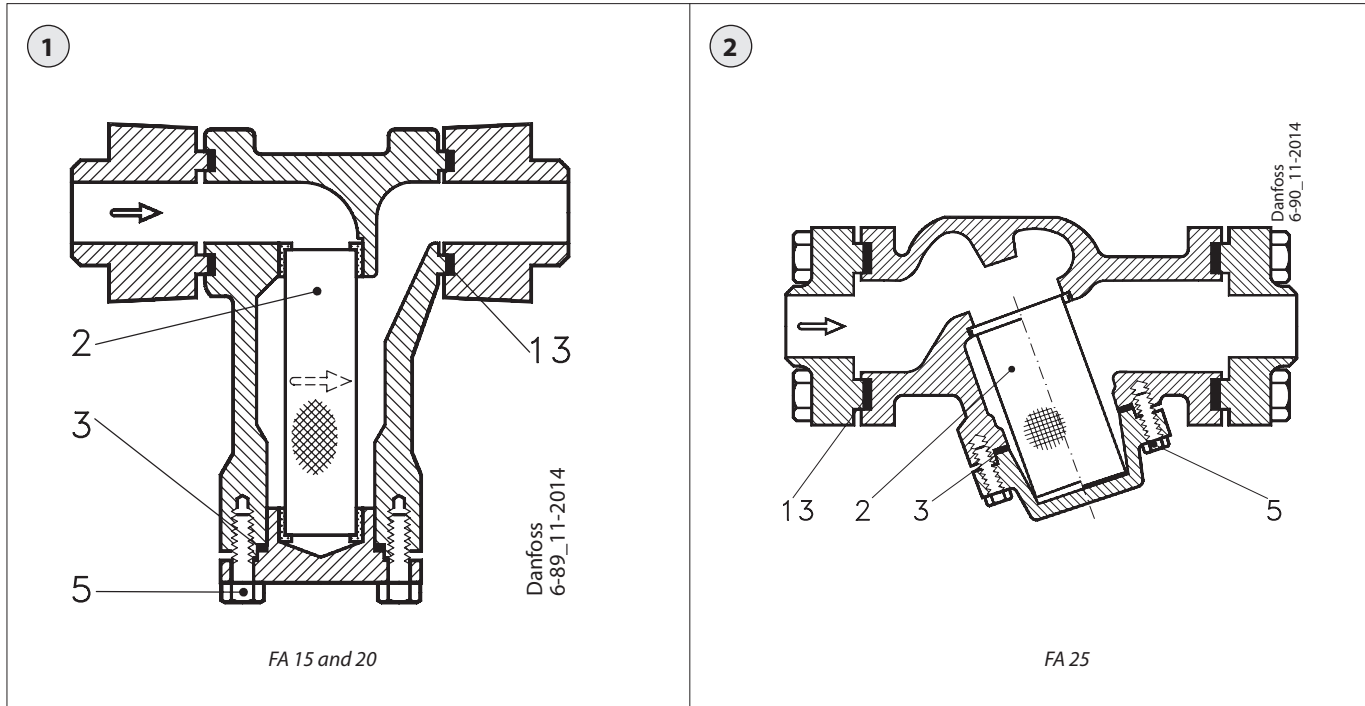


Data sheet – Spare parts and accessories

**Strainer, non welded**  
**Type FA**



Description	Pos. #	Qty.	Code no.
<b>Repair kit, figs. 1 and 2, FA 15</b>			
Strainer	2	1	006-0331
Cover gasket	3	1	
Screw	5	4*	
<b>Repair kit, figs. 1 and 2, FA 20</b>			
Strainer	2	1	006-0332
Cover gasket	3	1	
Screw	5	4*	
<b>Repair kit, figs. 1 and 2, FA 25</b>			
Strainer	2	1	006-0333
Cover gasket	3	1	
Screw	5	4*	

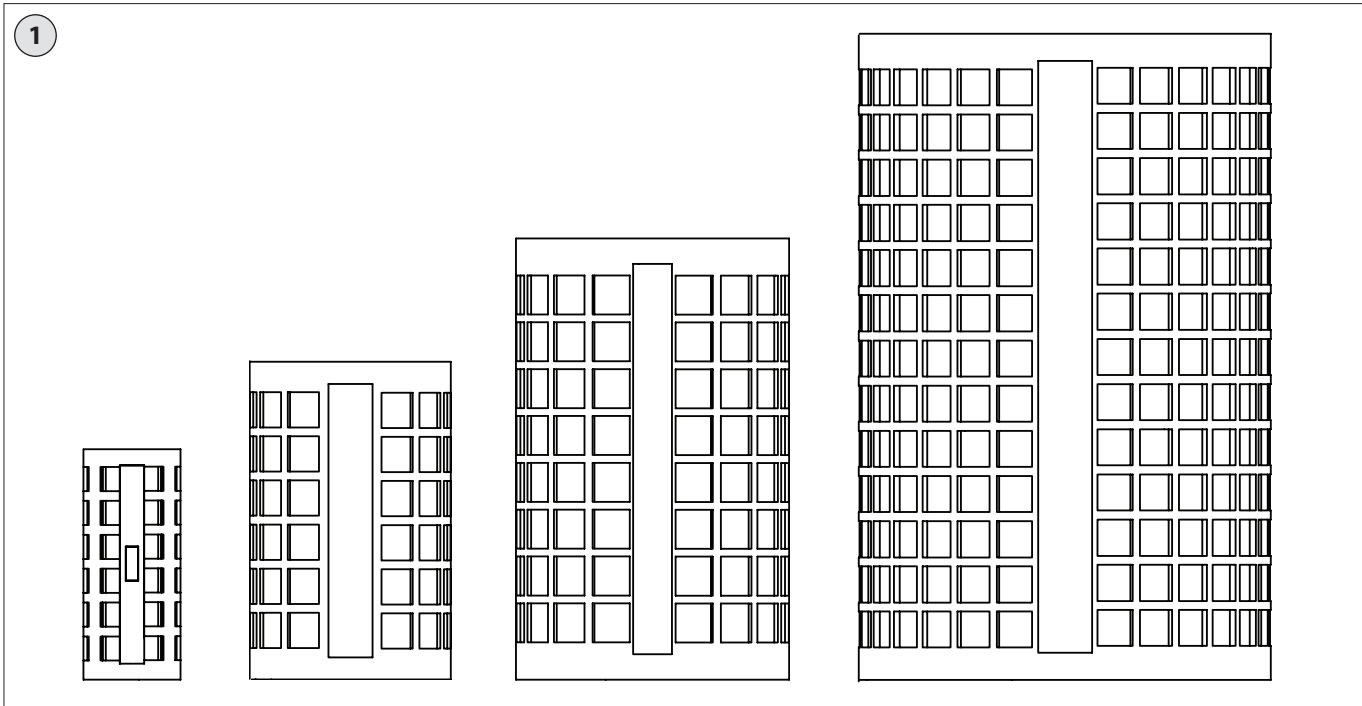
Description	Pos. #	Qty.	Code no.
<b>Seal kit, figs. 1 and 2, FA 15</b>			
Cover gasket	3	1	006-0334
Flange gasket	13	2	
<b>Seal kit, figs. 1 and 2, FA 20</b>			
Cover gasket	3	1	006-0335**
Flange gasket	13	2	
<b>Seal kit, figs. 1 and 2, FA 25</b>			
Cover gasket	3	1	006-0336
Flange gasket	13	2	
<b>Seal kit, figs. 1</b>			
Cover gasket	3	1	006-0346***
Flange gasket	13	2	

\*) For FA 25: 6 pcs.

\*\*) For FA 20 strainers, for fitting in pipelines.

\*\*\*) For FA 20 strainers, for direct fitting on valve.

## Strainer housing, type FIA Strainer inserts and accessories



Size	Description	fig. #	Qty.	Code no.
<b>Filter insert - plain</b>				
FIA 15	100µ / 150 mesh	1	1	<b>148H3122</b>
FIA 20	100µ / 150 mesh	1	1	<b>148H3122</b>
FIA 25	100µ / 150 mesh	1	1	<b>148H3123</b>
FIA 32	100µ / 150 mesh	1	1	<b>148H3123</b>
FIA 40	100µ / 150 mesh	1	1	<b>148H3123</b>
FIA 50	100µ / 150 mesh	1	1	<b>148H3157</b>

Size	Description	fig. #	Qty.	Code no.
<b>Filter insert - plain</b>				
FIA 15	150µ / 100 mesh	1	1	<b>148H3124</b>
FIA 20	150µ / 100 mesh	1	1	<b>148H3124</b>
FIA 25	150µ / 100 mesh	1	1	<b>148H3125</b>
FIA 32	150µ / 100 mesh	1	1	<b>148H3125</b>
FIA 40	150µ / 100 mesh	1	1	<b>148H3125</b>
FIA 50	150µ / 100 mesh	1	1	<b>148H3130</b>
FIA 65	150µ / 100 mesh	1	1	<b>148H3131</b>
FIA 80	150µ / 100 mesh	1	1	<b>148H3119</b>
FIA 100	150µ / 100 mesh	1	1	<b>148H3132</b>
FIA 125	150µ / 100 mesh	1	1	<b>148H3133</b>
FIA 150	150µ / 100 mesh	1	1	<b>148H3134</b>
FIA 200	150µ / 100 mesh	1	1	<b>148H3135</b>

Size	Description	fig. #	Qty.	Code no.
<b>Filter insert - plain</b>				
FIA 15	250µ / 72 mesh	1	1	<b>148H3126</b>
FIA 20	250µ / 72 mesh	1	1	<b>148H3126</b>
FIA 25	250µ / 72 mesh	1	1	<b>148H3127</b>
FIA 32	250µ / 72 mesh	1	1	<b>148H3127</b>
FIA 40	250µ / 72 mesh	1	1	<b>148H3127</b>
FIA 50	250µ / 72 mesh	1	1	<b>148H3138</b>
FIA 65	250µ / 72 mesh	1	1	<b>148H3139</b>
FIA 80	250µ / 72 mesh	1	1	<b>148H3120</b>
FIA 100	250µ / 72 mesh	1	1	<b>148H3140</b>
FIA 125	250µ / 72 mesh	1	1	<b>148H3141</b>
FIA 150	250µ / 72 mesh	1	1	<b>148H3142</b>
FIA 200	250µ / 72 mesh	1	1	<b>148H3143</b>

Size	Description	fig. #	Qty.	Code no.
<b>Filter insert - plain</b>				
FIA 15	500µ / 38 mesh	1	1	<b>148H3128</b>
FIA 20	500µ / 38 mesh	1	1	<b>148H3128</b>
FIA 25	500µ / 38 mesh	1	1	<b>148H3129</b>
FIA 32	500µ / 38 mesh	1	1	<b>148H3129</b>
FIA 40	500µ / 38 mesh	1	1	<b>148H3129</b>
FIA 50	500µ / 38 mesh	1	1	<b>148H3144</b>
FIA 65	500µ / 38 mesh	1	1	<b>148H3145</b>
FIA 80	500µ / 38 mesh	1	1	<b>148H3121</b>
FIA 100	500µ / 38 mesh	1	1	<b>148H3146</b>
FIA 125	500µ / 38 mesh	1	1	<b>148H3147</b>
FIA 150	500µ / 38 mesh	1	1	<b>148H3148</b>
FIA 200	500µ / 38 mesh	1	1	<b>148H3149</b>

Size	Description	fig. #	Qty.	Code no.
<b>Filter insert - pleated</b>				
FIA 15	150µ / 100 mesh	1	1	<b>148H3303</b>
FIA 20	150µ / 100 mesh	1	1	<b>148H3303</b>
FIA 25	150µ / 100 mesh	1	1	<b>148H3304</b>
FIA 32	150µ / 100 mesh	1	1	<b>148H3304</b>
FIA 40	150µ / 100 mesh	1	1	<b>148H3304</b>
FIA 50	150µ / 100 mesh	1	1	<b>148H3179</b>
FIA 65	150µ / 100 mesh	1	1	<b>148H3180</b>
FIA 80	150µ / 100 mesh	1	1	<b>148H3181</b>
FIA 100	150µ / 100 mesh	1	1	<b>148H3182</b>
FIA 125	150µ / 100 mesh	1	1	<b>148H3183</b>
FIA 150	150µ / 100 mesh	1	1	<b>148H3226</b>
FIA 200	150µ / 100 mesh	1	1	<b>148H3297</b>

Size	Description	fig. #	Qty.	Code no.
<b>Filter insert - pleated</b>				
FIA 15	250µ / 72 mesh	1	1	<b>148H3363</b>
FIA 20	250µ / 72 mesh	1	1	<b>148H3363</b>
FIA 25	250µ / 72 mesh	1	1	<b>148H3269</b>
FIA 32	250µ / 72 mesh	1	1	<b>148H3269</b>
FIA 40	250µ / 72 mesh	1	1	<b>148H3269</b>
FIA 50	250µ / 72 mesh	1	1	<b>148H3184</b>
FIA 65	250µ / 72 mesh	1	1	<b>148H3185</b>
FIA 80	250µ / 72 mesh	1	1	<b>148H3186</b>
FIA 100	250µ / 72 mesh	1	1	<b>148H3187</b>
FIA 125	250µ / 72 mesh	1	1	<b>148H3188</b>

Size	Description	fig. #	Qty.	Code no.
<b>Filter insert - pleated</b>				
FIA 50	500µ / 38 mesh	1	1	<b>148H3189</b>
FIA 65	500µ / 38 mesh	1	1	<b>148H3190</b>
FIA 80	500µ / 38 mesh	1	1	<b>148H3191</b>
FIA 100	500µ / 38 mesh	1	1	<b>148H3192</b>
FIA 125	500µ / 38 mesh	1	1	<b>148H3193</b>

Size	Description	fig. #	Qty.	Code no.
<b>Other accessories</b>				
FIA 80-100	Magnet insert	-	1	<b>148H3447</b>
FIA 125-200	Magnet insert	-	1	<b>148H3448</b>
FIA 15-20	Filter element µ150 with removable element µ50 for the first start up	-	1	<b>148H3301</b>
FIA 25-40	Filter element µ150 with removable element µ50 for the first start up	-	1	<b>148H3302</b>
FIA 50	Filter bag	-	1	<b>148H3150</b>
FIA 65	Filter bag	-	1	<b>148H3151</b>
FIA 80	Filter bag	-	1	<b>148H3152</b>
FIA 100	Filter bag	-	1	<b>148H3153</b>
FIA 125	Filter bag	-	1	<b>148H3154</b>
FIA 150	Filter bag	-	1	<b>148H3155</b>
FIA 200	Filter bag	-	1	<b>148H3156</b>
FIA 50 - 300	Purge valve complete	-	1	<b>148B3745</b>
FIA 50 - 300	Blind nut with gasket	-	1	<b>148H3450</b>