

Data sheet

Direct-operated 3/2-way solenoid valves

Type EV310B



EV310B covers a wide range of direct-operated 3/2-way solenoid valves for universal use. EV310B is a real robust valve program with high performance and can be used in all kind of tough working conditions. Clip-on coils can not be used on EV310B.

Features

- For water, oil, compressed air and similar neutral media
- Differential pressure: Up to 20 bar
- Ambient temperature: Up to 40 °C
- Coil enclosure (cable plug): Up to IP65
- Viscosity: Up to 50 cSt
- K_v values up to 0.40 m³/h
- Thread connection: NC, NO, NC MAN (manual override), NO MAN G 1/8, G 1/4 and G 3/8
- Flange connection: NC FL MAN 32 x 32 mm

Data sheet | Solenoid valves, type EV310B

Brass valve body, NC



Connection ISO 228/1	Seal material	Orifice size [mm]	K _v - value [m ³ /h]	Differential pressure, min. to max. [bar]	Media temperature min. to max. [°C]	Code number
G 1/8	FKM	1.5	0.08	0 – 20	-10 – 100	032U4900
G 1/8	FKM	2.0	0.15	0 – 16	-10 – 100	032U4901
G 1/8	FKM	3.0	0.30	0 – 7	-10 – 100	032U4902
G 1/4	FKM	1.5	0.08	0 – 20	-10 – 100	032U4903
G 1/4	FKM	2.0	0.15	0 – 16	-10 – 100	032U4904
G 1/4	FKM	3.0	0.30	0 – 7	-10 – 100	032U4905
G 1/4	FKM	3.5	0.40	0 – 5	-10 – 100	032U4906
G 3/8	FKM	2.0	0.15	0 – 16	-10 – 100	032U4907
G 3/8	FKM	3.0	0.30	0 – 7	-10 – 100	032U4908
G 3/8	FKM	3.5	0.40	0 – 5	-10 – 100	032U4909

Brass valve body, NO



Connection ISO 228/1	Seal material	Orifice size [mm]	K _v - value [m ³ /h]	Differential pressure, min. to max. [bar]	Media temperature min. to max. [°C]	Code number
G 1/8	FKM	1.5	0.08	0 – 20	-10 – 100	032U4926
G 1/8	FKM	2.0	0.15	0 – 16	-10 – 100	032U4927
G 1/4	FKM	1.5	0.08	0 – 20	-10 – 100	032U4929
G 1/4	FKM	2.0	0.15	0 – 16	-10 – 100	032U4930
G 1/4	FKM	3.0	0.30	0 – 7	-10 – 100	032U4931
G 3/8	FKM	2.0	0.15	0 – 16	-10 – 100	032U4933
G 3/8	FKM	3.0	0.30	0 – 7	-10 – 100	032U4934

Brass valve body, NC MAN



Connection ISO 228/1	Seal material	Orifice size [mm]	K _v - value [m ³ /h]	Differential pressure, min. to max. [bar]	Media temperature min. to max. [°C]	Code number
G 1/4	FKM	2.0	0.15	0 – 16	-10 – 100	032U4919

Brass valve body, NO MAN



Connection ISO 228/1	Seal material	Orifice size [mm]	K _v - value [m ³ /h]	Differential pressure, min. to max. [bar]	Media temperature min. to max. [°C]	Code number
G 1/4	FKM	2.0	0.15	0 – 16	-10 – 100	032U4944

Data sheet | Solenoid valves, type EV310B
Brass valve body, NC FL MAN


Connection ISO 228/1	Seal material	Orifice size [mm]	K _v - value [m ³ /h]	Differential pressure, min. to max. [bar]	Media temperature min. to max. [°C]	Code number
Flange 32x32	FKM	2.0	0.15	0 – 16	-10 – 100	032U4923

**Technical data
NC / NO / NC MAN / NO MAN /
NC FL MAN**

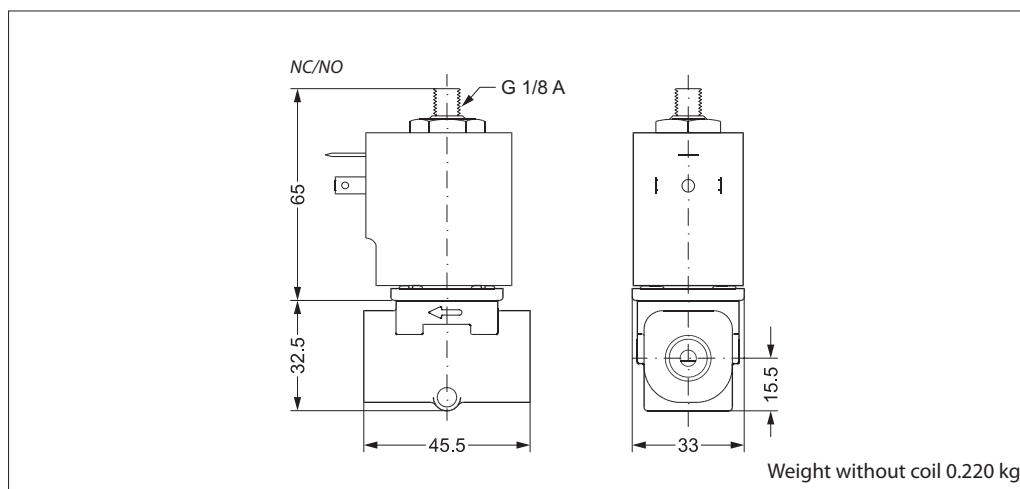
Main type	EV310B NC / NO / NC MAN / NO MAN / NC FL MAN
Time to open [ms] ¹⁾	10 – 20
Time to close [ms] ¹⁾	10 – 20

¹⁾The times are indicative.

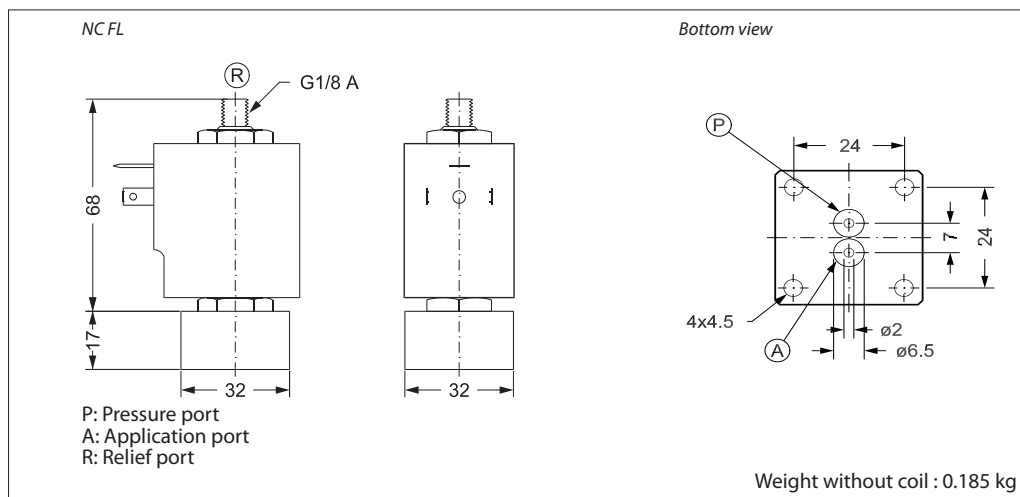
Type	EV310B NC / NO / NC MAN / NO MAN / NC FL MAN		
Installation	Vertical solenoid system is recommended		
Max. test pressure	50 bar		
Pressure range	0 – 20 bar		
Ambient temperature	Up to 40 °C		
Viscosity	Max. 50 cSt		
Materials	Valve body:	Brass	W.no. 2.0402
	Armature:	Stainless steel	W.no. 1.4105/AISI 430FR
	Armature tube:	Stainless steel	W.no. 1.4306/AISI 304L
	Armature stop:	Stainless steel	W.no. 1.4105/AISI 430FR
	Spring:	Stainless steel	W.no. 1.4310/AISI 301
	Seal material:	FKM	–

Data sheet | Solenoid valves, type EV310B

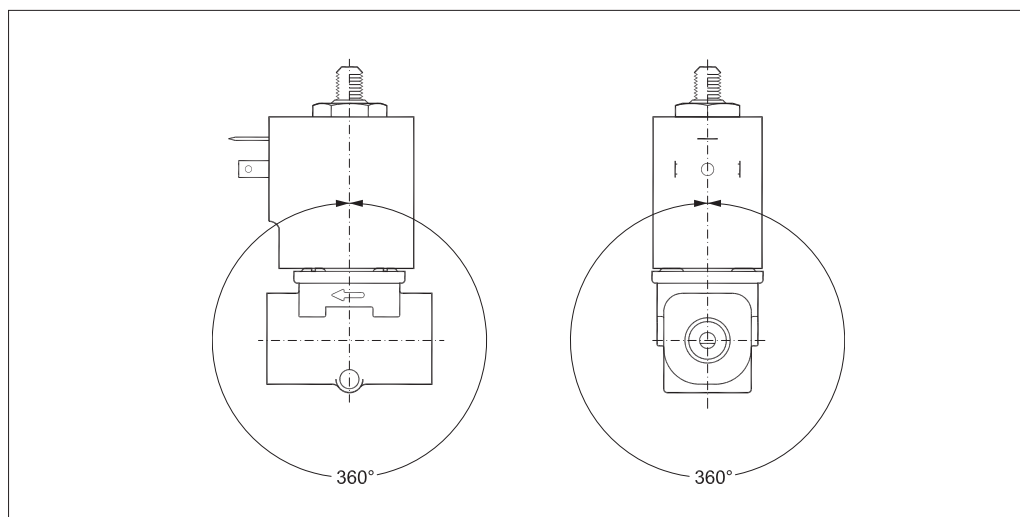
Dimensions and weight
NC / NO / NC MAN / NO MAN



Dimensions and weight
NC FL MAN




Mounting angle



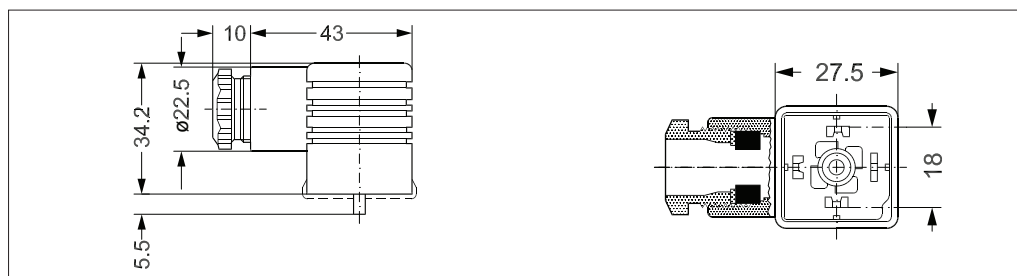
Data sheet | Solenoid valves, type EV310B

Below coil can be used with EV310B

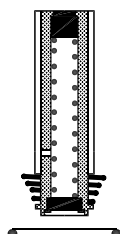
Coil	Type	Power consumption	Enclosure	Features
	BA / BD, screw on	9 W AC 15 W AC 15 W DC	IP00 with spade connector	IP20 with protective cap, IP65 with cable plug

Accessories: Cable plug

Application	Code number
GDM 2011 (grey) cable plug according to DIN 43650-A PG11	042N0156



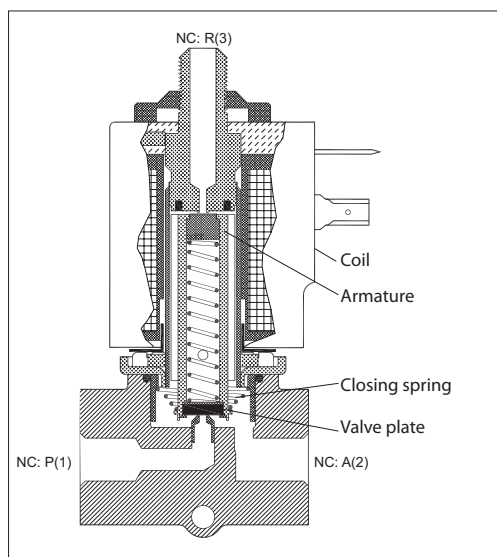
Spare parts kit



Connection	Type	Seal material	Code number
Thread	NC	FKM	032U2033
Thread	NO	FKM	032U2035

The spare parts kit comprises:
An armature with mounted spring
O-ring

Function, NC



P: Pressure port (stamped: 1)
 A: Application port (stamped: 2)
 R: Relief port (stamped: 3)

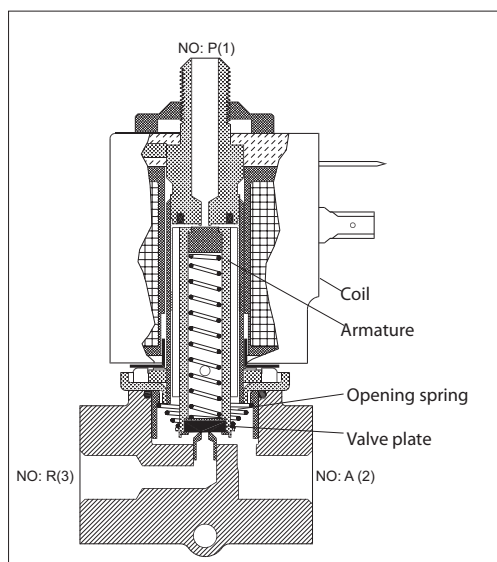
Coil voltage disconnected (closed):

When the voltage to the coil is disconnected, the armature with the valve plates is pressed down by the closing spring and closes the connection between P and A. At the same time, the connection between ports A and R is opened. The connection between P and A will be closed for as long as the voltage to the coil is disconnected.

Coil voltage connected (open):

When voltage is applied, the armature with the valve plates is lifted and closes the connection between A and R. At the same time, the connection between P and A is opened. The connection between P and A will be open for as long as there is voltage to the coil.

Function, NO



P: Pressure port (stamped: 1)
 A: Application port (stamped: 2)
 R: Relief port (stamped: 3)

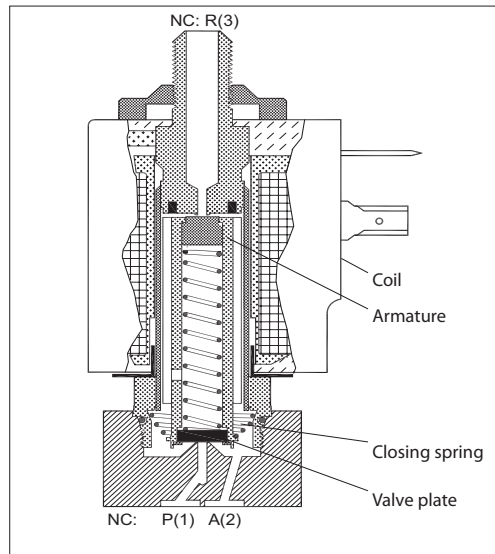
Coil voltage disconnected (open):

When the voltage is disconnected, the armature with the valve plates is pressed down by the opening spring and closes the connection between A and R. At the same time, the connection between ports P and A is open. The connection between P and A will be open for as long as the voltage to the coil is disconnected. On valves with manual override the connection between P and A can be closed using a closing screw in the valve body.

Coil voltage connected (closed):

When voltage is applied to the coil, the armature with the valve plates is lifted and closes the connection between P and A. At the same time, the connection between ports A and R is opened. The connection between P and A will be closed for as long as there is voltage to the coil.

Function, NC FL MAN



P: Pressure port (stamped: 1)
A: Application port (stamped: 2)
R: Relief port (stamped: 3)

Coil voltage disconnected (open):

When the voltage to the coil is disconnected, the armature, with the valve plates, is pressed down by the closing spring and closes the connection between P and A. At the same time, the connection between ports A and R is opened. The connection between P and A will be closed for as long as the voltage to the coil is disconnected. On valves with manual override the connection between P and A can be opened using an opening screw in the valve body.

Coil voltage connected (closed):

When voltage is applied, the armature with the valve plates is lifted and closes the connection between A and R. At the same time, the connection between P and A is opened. The connection between P and A will be open for as long as there is voltage to the coil.