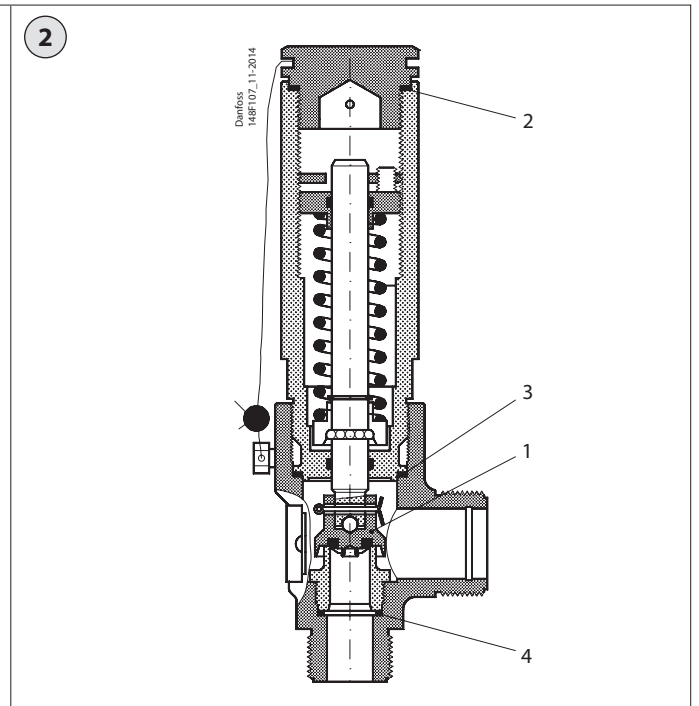
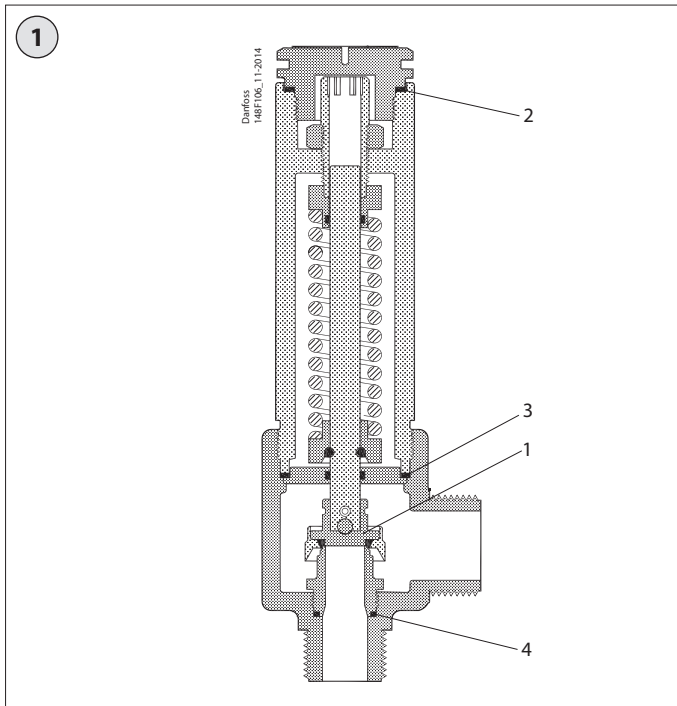


Data sheet – Spare parts and accessories

Safety relief valves
Types SFA, SFV and POV+BSV



Size	Description	Pos. #	Qty.	Code no.
Fig. 1 - SFA 15 Repair kit				
15	Cone complete	1	1	148F3036
15	Gaskets	2, 3, 4	4	

Fig. 1 - SFA 15-50 Repair kit				
15	Cone complete	1	1	148F3150
15	Gaskets	2, 3, 4	4	

SFA - Nipples and gaskets				
15	Nipples + gaskets set for SFV/SFA	-	2	148F3019

Fig. 2 - SFV Repair kit				
20	Cone complete	1	1	2453+082
20	Gaskets	2, 3, 4	4	
25	Cone complete	1	1	2453+083
25	Gaskets	2, 3, 4	4	

SFV - Flanges and gaskets				
20	Flanges + gaskets set for SFV 20	-	1	148F3020
25	Flanges + gaskets set for SFV 25	-	1	148F3021

Description	Pos. #	Qty.	Code no.
POV+BSV fittings			
Set of fittings for system POV+BSV	-	1	148H3453