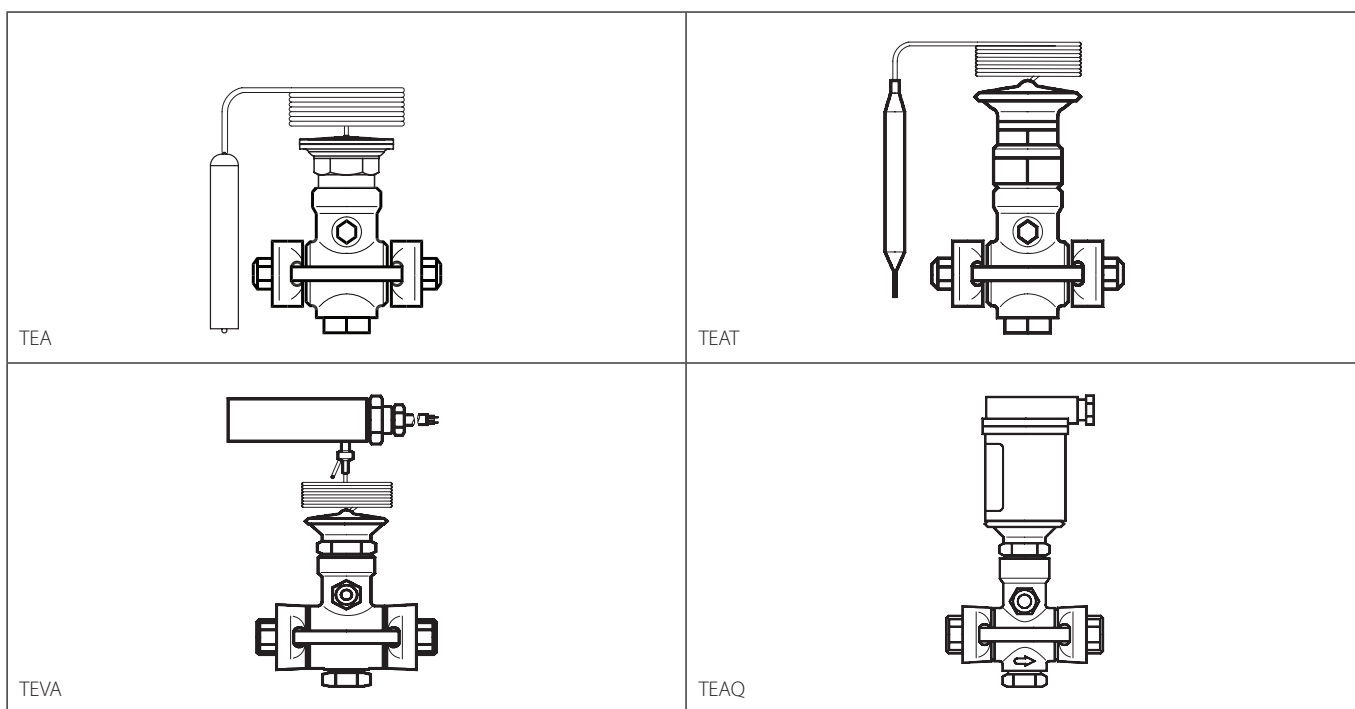


Data sheet

**Spare parts and accessories**

Expansion valves TEA, TEAT, TEVA and TEAQ, size 20 and 85



Valve type	Size	See details on page #	Code no.
<b>Inspection kits</b>			
TEA, TEAT, TEVA, TEAQ	All	2	068G0064
<b>Repair kits, orifice</b>			
TEA, TEAT, TEVA, TEAQ	20 - 1	3	068G2050
	20 - 2	3	068G2051
	20 - 3	3	068G2052
	20 - 5	3	068G2053
	20 - 8	3	068G2054
	20 - 12	3	068G2055
	20 - 20	3	068G2056
	85 - 33	3	068G2057
	85 - 55	3	068G2058
85 - 85	3	068G2059	

Valve type	Size	Temperature setting	See details on page #	Code no.
<b>Repair kits, element</b>				
TEA	All	-50°C / 0°C	4	068G3250
	All	-20°C / +30°C	4	068G3252
TEAT	All	+35°C / +65°C	4	068G3262
	All	+55°C / +95°C	4	068G3260
	All	+90°C / +130°C	4	068G3261

Valve type	Size	Description	See details on page #	Code no.
<b>Repair kits, element</b>				
TEVA	All	Thermostatic element without electric heating element	4	068G3255
	All	Electric heating element only	4	068G0037

**No overhaul kit available.**

For ordering new valves please see the Danfoss website. TEAQ is out of production and cannot be ordered anymore.

**Inspection kits:**

Contains all gaskets, O-rings and sealings belonging to 1 valve size. For detailed content, see specific pages mentioned above.

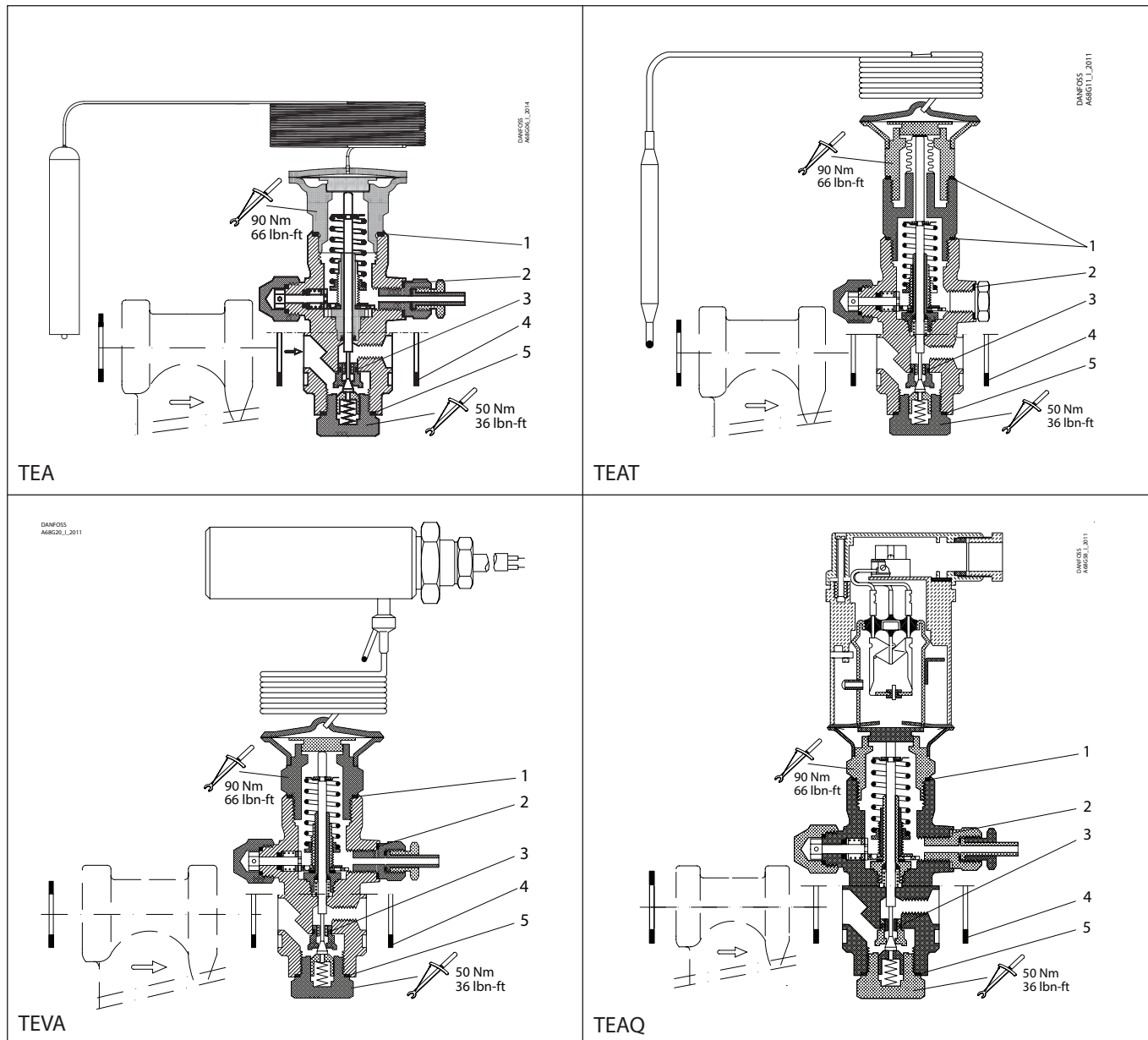
**Repair kits, orifice:**

Repair kit orifice contains all gaskets, O-rings, sealings and one orifice belonging to one valve size. For detailed content, see specific pages mentioned above.

**Repair kits, element:**

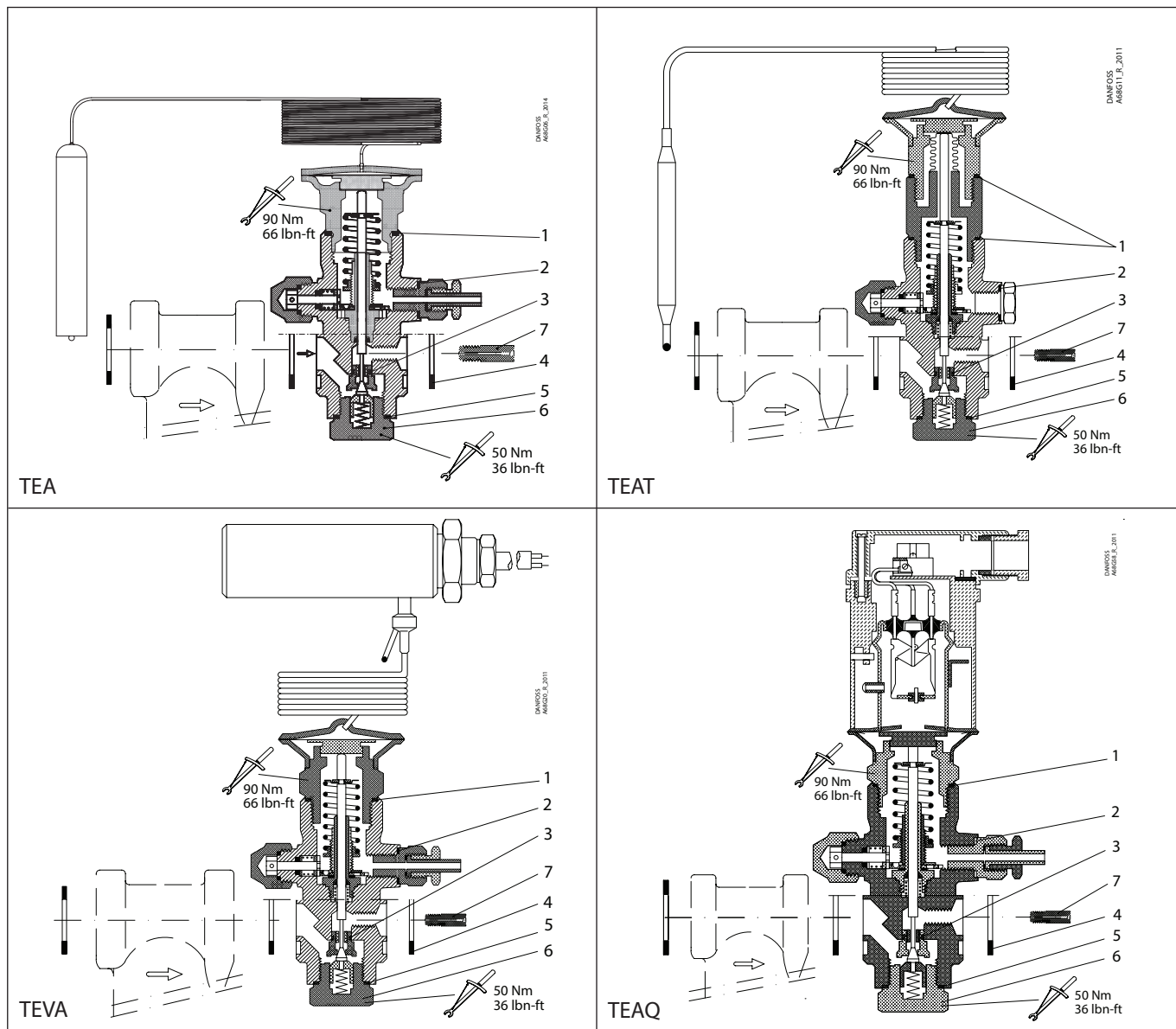
Repair kit element contains all gaskets, O-rings, sealings and one element belonging to one valve size. For detailed content, see specific pages mentioned above.

**Inspection kit | Code number 068G0064**  
**TEA, TEAT, TEVA and TEAQ, Size 20 and 85**



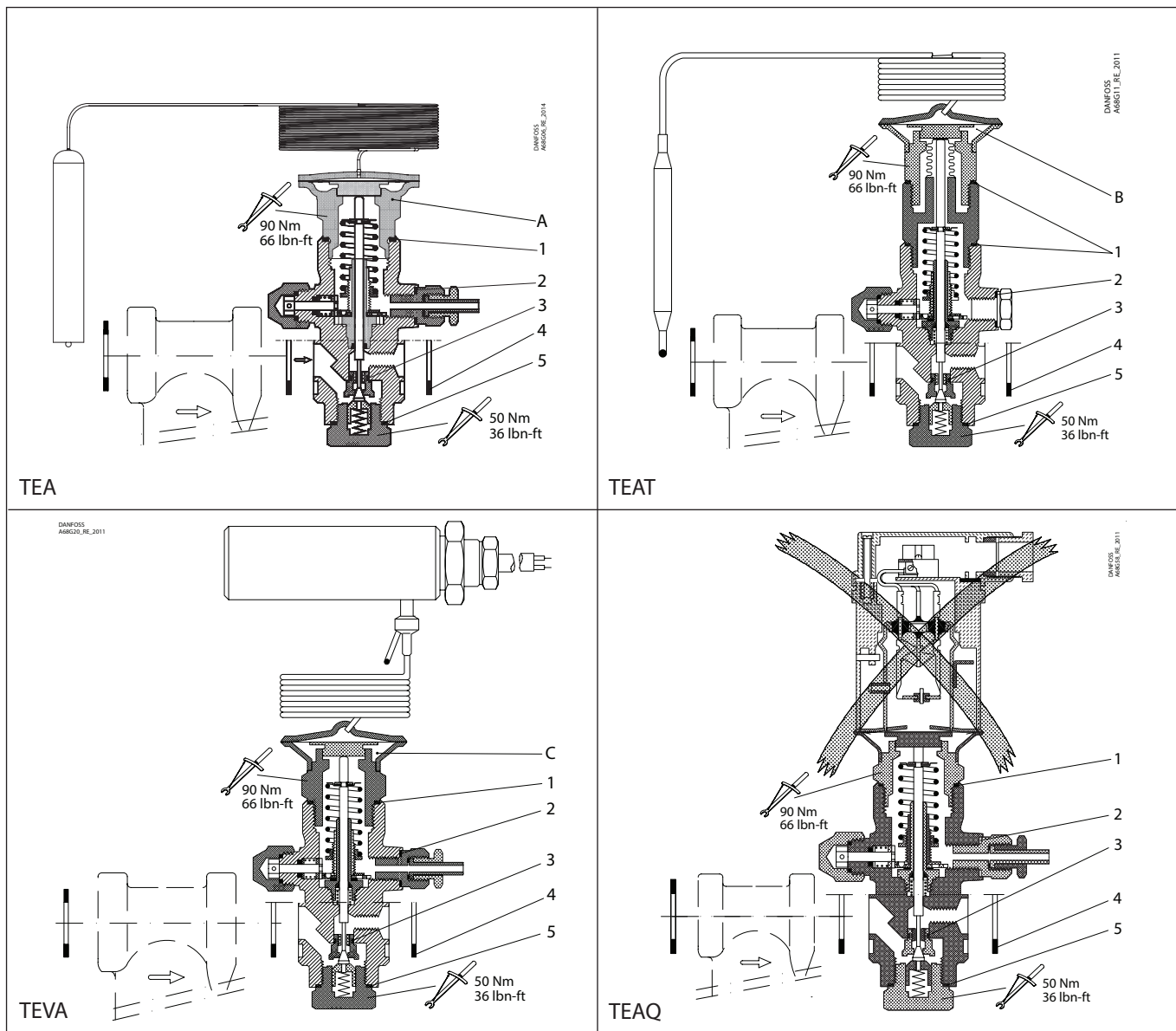
<p><b>1</b></p> <p> = Alu.</p> <p></p> <p>Total no. = 2</p>	<p><b>2</b></p> <p> = Alu.</p> <p></p> <p>Total no. = 1</p>	<p><b>3 (size 20)</b></p> <p></p> <p></p> <p>Total no. = 1</p>	<p><b>3 (size 85)</b></p> <p></p> <p></p> <p>Total no. = 1</p>
<p><b>4 (size 20)</b></p> <p> = Fibre</p> <p></p> <p>Total no. = 3</p>	<p><b>4 (size 85)</b></p> <p> = Fibre</p> <p></p> <p>Total no. = 3</p>	<p><b>5</b></p> <p> = Alu.</p> <p></p> <p>Total no. = 1</p>	

**Repair kit, orifice | Code numbers: 068G2050 / 068G2051 / 068G2052 / 068G2053 / 068G2054 / 068G2055 / 068G2056 / 068G2057 / 068G2058 / 068G2059**  
**TEA, TEAT, TEVA and TEAQ, Size 20 and 85**



<p><b>1</b></p> <p>— = Alu.</p> <p>Total no. = 2</p>	<p><b>2</b></p> <p>— = Alu.</p> <p>Total no. = 1</p>	<p><b>3 (size 20)</b></p> <p>Total no. = 1</p>	<p><b>3 (size 85)</b></p> <p>Total no. = 1</p>	<p><b>4 (size 20)</b></p> <p>— = Fibre</p> <p>Total no. = 3</p>
<p><b>4 (size 85)</b></p> <p>— = Fibre</p> <p>Total no. = 3</p>	<p><b>5</b></p> <p>— = Alu.</p> <p>Total no. = 1</p>	<p><b>6</b></p> <p>Total no. = 1</p>	<p><b>7</b></p> <p>Included in the repair kit  <b>068G2050</b> only</p> <p>Total no. = 1</p>	

**Repair kit, element | Code numbers: 068G3250 / 068G3252 / 068G3260 / 068G3261 / 068G3262 / 068G3255**  
**TEA, TEAT, TEVA and TEAQ, Size 20 and 85**



<p><b>1</b></p> <p>▨ = Alu.</p> <p>Ø36 mm Ø1.42"</p> <p>Total no. = 2</p>	<p><b>2</b></p> <p>▨ = Alu.</p> <p>Ø17.5 mm Ø0.69"</p> <p>Total no. = 1</p>	<p><b>3 (size 20)</b></p> <p>Ø8 mm Ø0.32"</p> <p>Total no. = 1</p>	<p><b>3 (size 85)</b></p> <p>Ø9 mm Ø0.35"</p> <p>Total no. = 1</p>	<p><b>4 (size 20)</b></p> <p>▨ = Fibre</p> <p>Ø32 mm Ø1.26"</p> <p>Total no. = 3</p>	<p><b>4 (size 85)</b></p> <p>▨ = Fibre</p> <p>Ø39 mm Ø1.54"</p> <p>Total no. = 3</p>
<p><b>5</b></p> <p>▨ = Alu.</p> <p>Ø26 mm Ø1.02"</p> <p>Total no. = 1</p>	<p><b>6</b></p> <p>1 of A or 1 of B or 1 of C</p>	<p><b>Bulb strap</b></p> <p>Total no. = 1</p>			



ENGINEERING  
TOMORROW



---

Danfoss can accept no responsibility for possible errors in catalogues, brochures and other printed material. Danfoss reserves the right to alter its products without notice. This also applies to products already on order provided that such alterations can be made without subsequential changes being necessary in specifications already agreed. All trademarks in this material are property of the respective companies. Danfoss and the Danfoss logotype are trademarks of Danfoss A/S. All rights reserved.