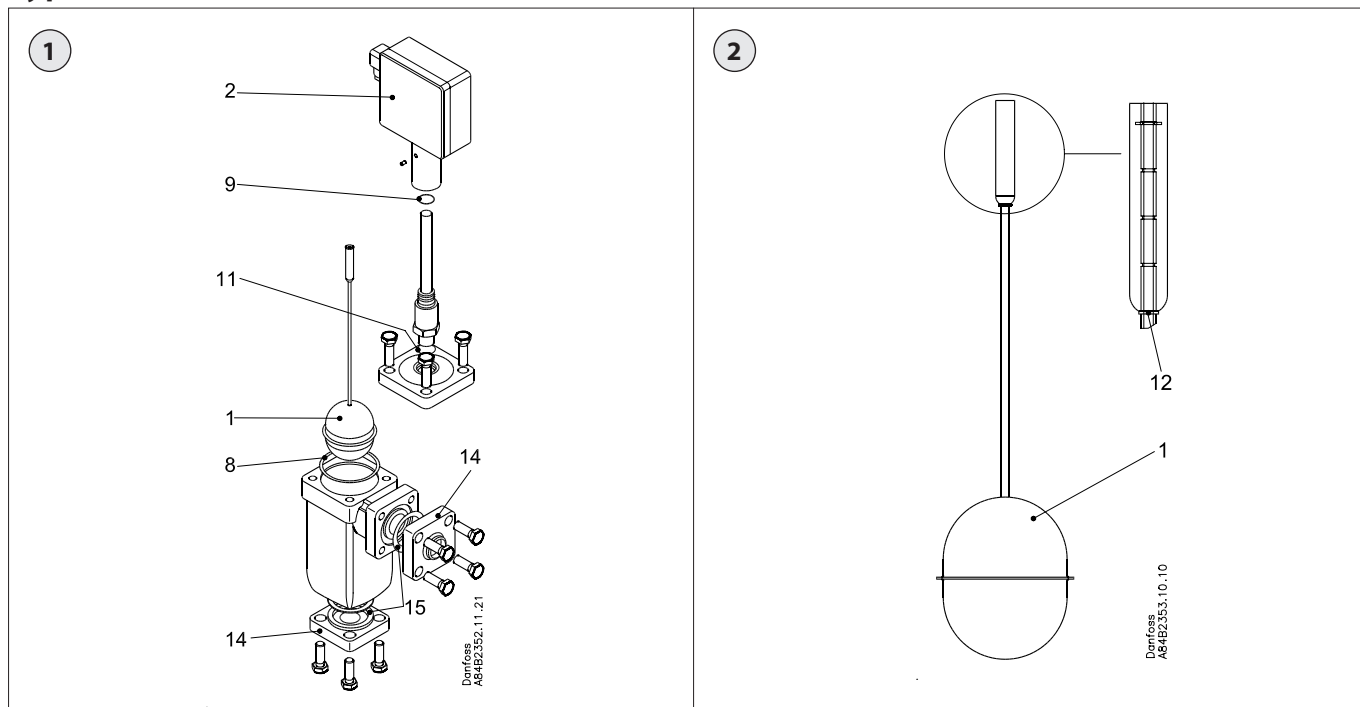


Data sheet – Spare parts and accessories

Liquid level switch
Type AKS 38



| Description | Pos. # | Qty. | Code no. |
|---|--------|------|----------|
| Electrical switch box, fig. 1 | | | |
| Switch box | 2 | 1 | 148H3202 |
| Internal float assembly, fig. 1 and Fig. 2 | | | |
| Internal float assembly | 1 | 1 | 148H3203 |
| Locking ring for internal float | 12 | 2 | |
| Repair kit, fig. 1 and Fig. 2 | | | |
| Top cover gasket | 8 | 1 | 148H3200 |
| O-ring for pressure tube | 9 | 1 | |
| Alu. gasket | 11 | 1 | |
| Flange gasket | 15 | 2 | |
| Locking ring for internal float | 12 | 2 | |

| Description | Pos. # | Qty. | Code no. |
|--|--------|------|----------|
| Flanges, fig. 1 | | | |
| AKS 38 Butt Weld, DIN DN 25 (1 in.) | 14 | 2 | 027N1026 |
| AKS 38 Butt Weld, ANSI DN 25 (1 in.) | 14 | 2 | 027N2023 |
| AKS 38 Socket Weld, ANSI DN 20 (3/4 in.) | 14 | 2 | 027N2012 |
| KS 38 Socket Weld, ANSI DN 25 (1 in.) | 14 | 2 | 027N2013 |
| AKS 38 FPT, NPT DN 20 (3/4 in.) | 14 | 2 | 027G1007 |

Please observe:
Same flanges as for NRVA 25 and NRVA 32