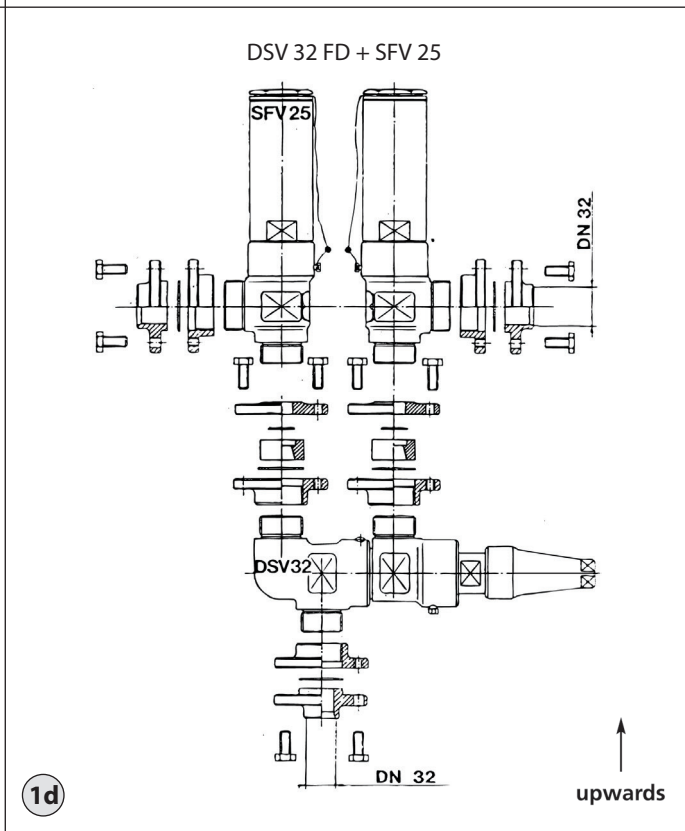
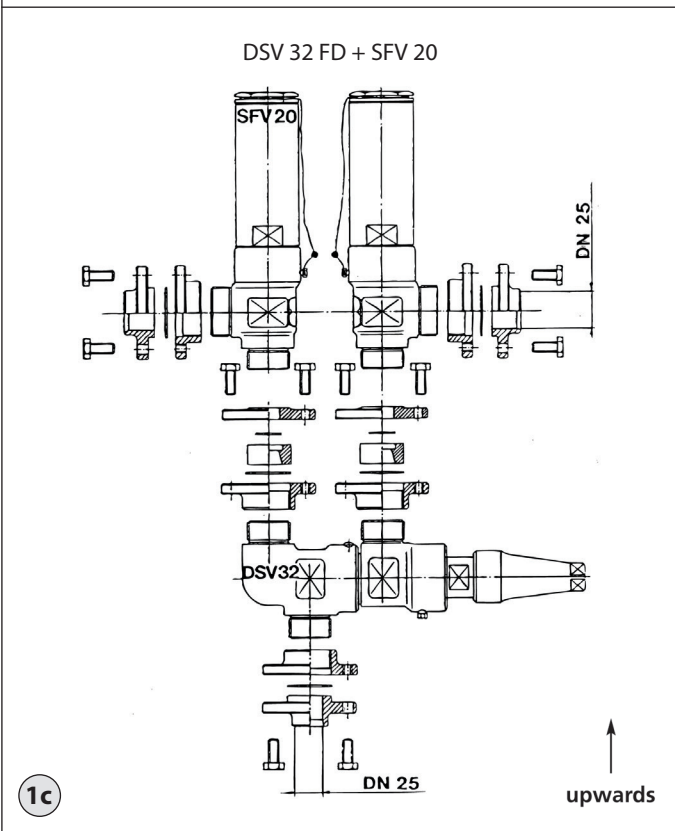
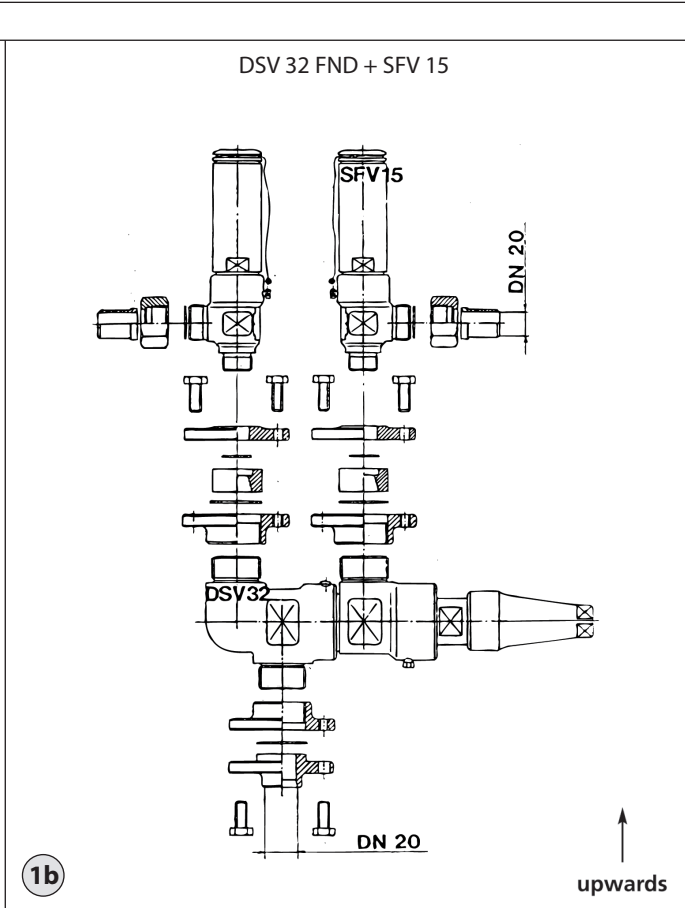
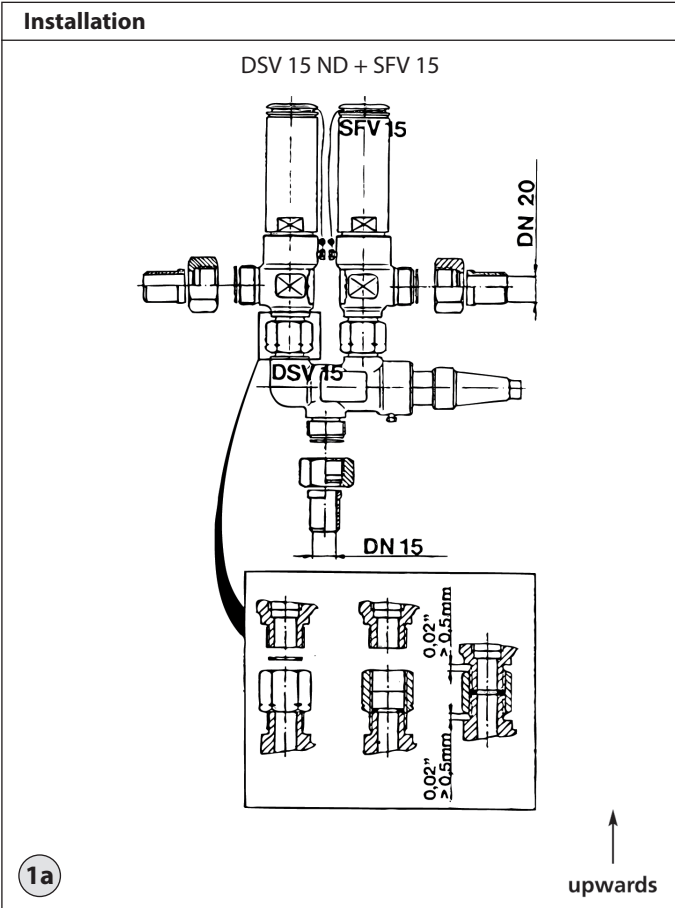


Installation Guide

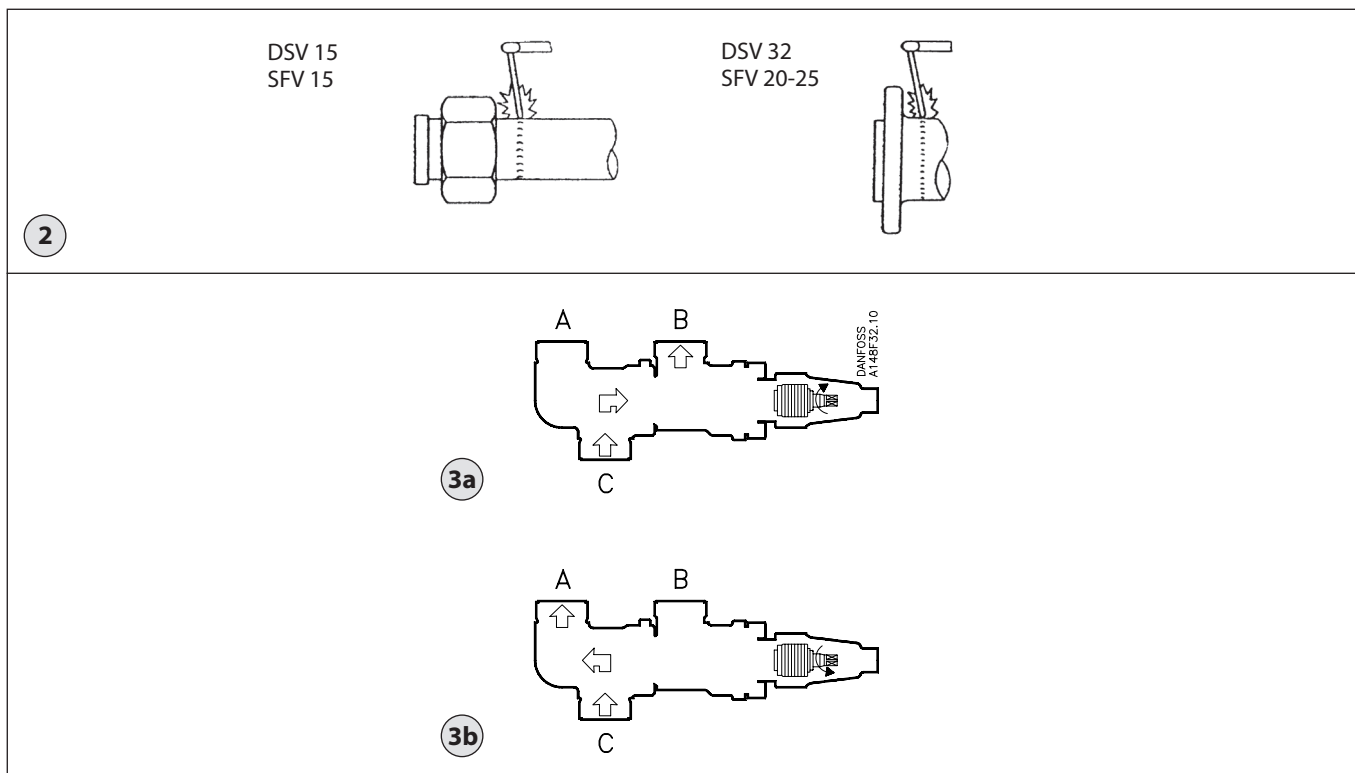
Change-over valves

DSV 15-32

2516+172



2516+172



ENGLISH

Installation

Refrigerants

Applicable to HCFC, HFC, R717(Ammonia) and R744 (CO₂). Flammable hydrocarbons are not recommended. The valve is only recommended for use with safety valves type SFV. For further information please contact Danfoss.

Temperature range

DSV: -50/+100°C (-58/+212°F)

Pressure range

The valves are designed for a max. working pressure of 25 bar g (363 psi g).

Installation

Applied in connection with safety valves (SFVs) installation instruction for safety valves must be followed. DSV and the two safety valves are to be mounted as indicated on fig. 1.

IMPORTANT:
THE INLET/OUTLET PIPE DIMENSIONS MUST NOT BE SMALLER THAN THOSE OF THE SAFETY VALVES.

The valve is designed to withstand a high internal pressure. However, the piping system should be designed to avoid liquid traps and reduce the risk of hydraulic pressure caused by thermal expansion. It must be ensured that the valve is protected from pressure transients like "liquid hammer" in the system.

Welding

If welding fittings are applied, these should be dismantled during the welding process (fig. 2).

Only materials and welding methods, compatible with the flange material, must be welded to the flange.

Avoid welding debris and dirt in the threads of the housing and the pipes.

Assembly

Remove welding slag and dirt from tubes and housing before the valve is mounted.

Mount the valve as shown in fig. 1.

Operating Instructions

When the spindle is turned clockwise (fig. 3a) the inlet socket C is connected to outlet B. When the spindle is turned anticlockwise (fig. 3b) the inlet socket C is connected to outlet A.

Colours and identification

The DSV valves are painted with a red oxide primer in the factory. The external surface of the valve housing must be prevented against corrosion with a suitable protective coating after installation and assembly.

In cases of doubt, please contact Danfoss.

Danfoss accepts no responsibility for errors and omissions. Danfoss Industrial Refrigeration reserves the right to make changes to products and specifications without prior notice.