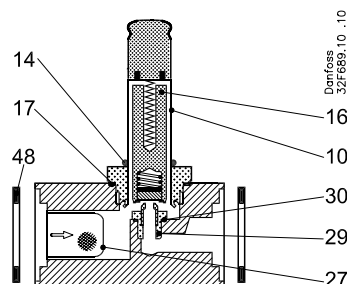


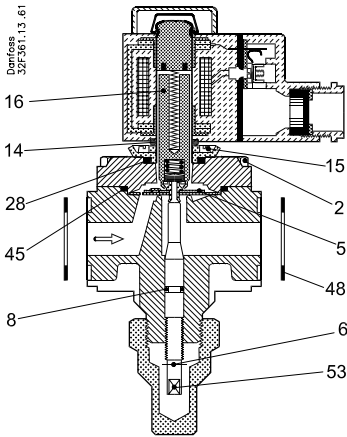
EVRA 3 (NC) previous design



EVRA 3 (NC) plug in armature

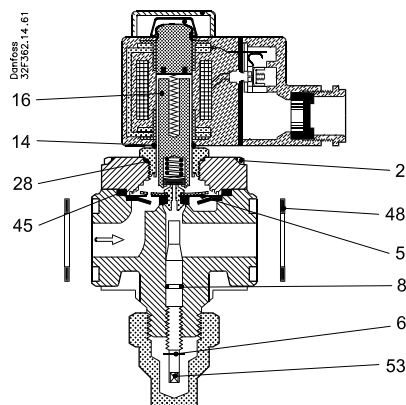
**Note:** The armature tube, item 10 can also be used for EVRA 10,15,20,25,32,and 40.  
Please be aware whether you need the plug in version or the previous armature tube design.

Description	Qty Normally Closed (NC)	Code no.
<b>EVRA 3, previous design Service kit</b>		
Pos. 10 Armature tube previous design	1	<b>032F0200</b>
14 O-ring	1	
15 Screw	4	
16 Armature assembly, teflon	1	
28 Rubber gasket	1	
29 Orifice	1	
30 Al. gasket	1	
48 Flange gasket	2	
<b>EVRA 3, previous design and plug in Service kit</b>		
Pos. 14 O-ring	1	<b>032F0198</b>
16 Armature assembly, rubber	1	
17 Al. gasket	1	
28 Rubber gasket	1	
29 Orifice	1	
30 Al. gasket	1	
48 Flange gasket	2	
<b>EVRA 3, plug in version Service kit</b>		
Pos. 10 Armature tube plug in	1	<b>032F6183</b>
14 O-ring	1	
16 Armature assembly, Teflon	1	
17 Al. gasket	1	
27 Filter assembly	1	
29 Orifice	1	
30 Al. gasket	1	
48 Flange gasket	2	
<b>EVRA 3 d.c. armature</b>		
Pos.16d.c. armature assembly	1	<b>032F0099</b>
<b>EVRA 3. Filter</b>		
Pos. 27Filter assembly	1	<b>032K0040</b>



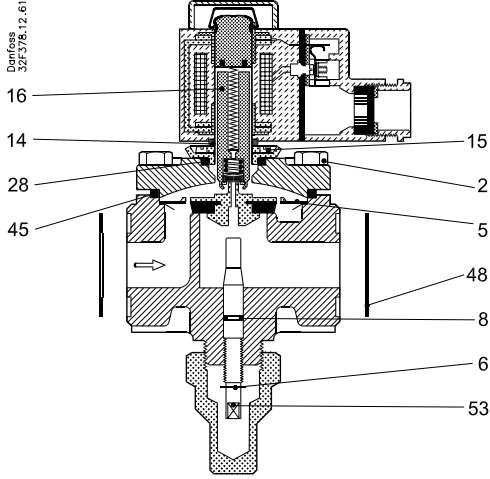
EVRA 10 (NC), previous design

Description	Qty Normally Closed (NC)	Code no.
<b>EVRA 10, previous design Service kit</b>		<b>032F0202</b>
Pos. 2 Screw	4	
5 Diaphragm assembly	1	
6 Locking ring	1	
8 O-ring	1	
14 O-ring	1	
15 Screw	4	
16 Armature assembly, teflon	1	
28 Rubber gasket	1	
45 Rubber gasket	1	
48 Flange gasket	2	
<b>EVRA 10, previous design Service kit</b>		<b>032F0216</b>
Pos. 5 Diaphragm assembly	1	
14 O-ring	1	
16 Armature assembly, rubber	1	
28 Rubber gasket	1	
45 Rubber gasket	1	
<b>EVRA 10, previous design Seal kit</b>		<b>032F0211</b>
Pos. 8 O-ring	1	
14 O-ring	1	
28 Rubber gasket	1	
45 Rubber gasket	1	
48 Flange gasket	2	
<b>EVRA 10. d.c. armature</b>		<b>032F0109</b>
Pos.16 d.c. armature assembly	1	
28 Rubber gasket	1	
28 Al. gasket	1	



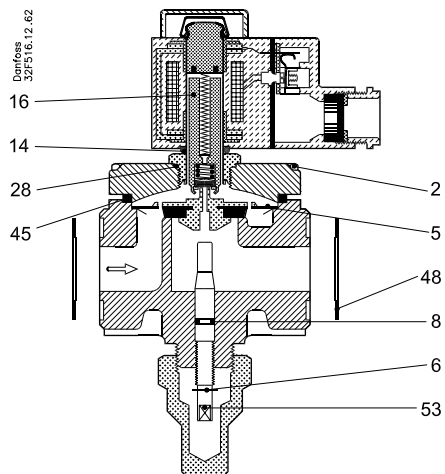
EVRA 10 (NC) with plug-in armature tube assembly

Description	Qty Normally Closed (NC)	Code no.	
<b>EVRA 10 Service kit</b>			
Pos. 2 Screw	4	<b>032F0250</b>	
5 Diaphragm assembly	1		
6 Locking ring	1		
8 O-ring	1		
14 O-ring	1		
16 Armature assembly, teflon	1		
28 Al. gasket	1	<b>032F0252</b>	
45 Rubber gasket	1		
48 Flange gasket	2		
<b>EVRA 10 Service kit</b>			
Pos. 5 Diaphragm assembly	1		<b>032F0254</b>
14 O-ring	1		
16 Armature assembly, rubber	1		
28 Al. gasket	1		
45 Rubber gasket	1		
<b>EVRA 10 Seal kit</b>			
Pos. 8 O-ring	1	<b>032F0109</b>	
14 O-ring	1		
28 Al. gasket	1		
45 Rubber gasket	1		
48 Flange gasket	2	<b>032F0241</b>	
<b>EVRA 10 d.c. armature</b>			
Pos. 16 d.c. armature assembly	1		<b>032F0109</b>
28 Rubber gasket	1		
28 Al. gasket	1		
<b>EVRA 10 Manual spindle</b>			
Pos. 6 Locking ring	1	<b>032F0241</b>	
8 O-ring	1		
53 Spindle	1		



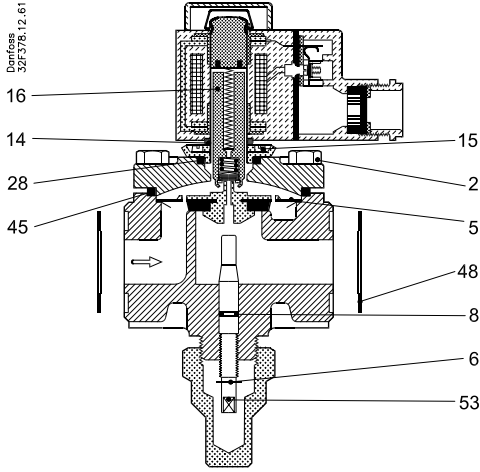
EVRA 15 (NC) previous design

Description	Qty Normally Closed (NC)	Code no.	
<b>EVRA 15, previous design</b>			
<b>Service kit</b>			
Pos. 2 Screw	4	<b>032F0204</b>	
5 Diaphragm assembly	1		
6 Locking ring	1		
8 O-ring	1		
14 O-ring	1		
15 Screw	4		
16 Armature assembly, teflon	1		
28 Rubber gasket	1		
45 Rubber gasket	1	<b>032F0217</b>	
48 Flange gasket	2		
<b>EVRA 15, previous design</b>			
<b>Service kit</b>			
Pos. 5 Diaphragm assembly	1		
14 O-ring	1		
16 Armature assembly, rubber	1		
28 Rubber gasket	1		
45 Rubber gasket	1		
<b>EVRA 15, previous design</b>			
<b>Seal kit</b>			
Pos. 8 O-ring	1	<b>032F0212</b>	
14 O-ring	1		
28 Rubber gasket	1		
45 Rubber gasket	1		
48 Flange gasket	2		
<b>EVRA 15</b>			
<b>d.c. armature</b>			
Pos. 16 d.c. armature assembly	1	<b>032F0109</b>	
28 Rubber gasket	1		
28 Al. gasket	1		
<b>EVRA 15</b>			
<b>Manual spindle</b>			
Pos. 6 Locking ring	1	<b>032F0241</b>	
8 O-ring	1		
53 Spindle	1		



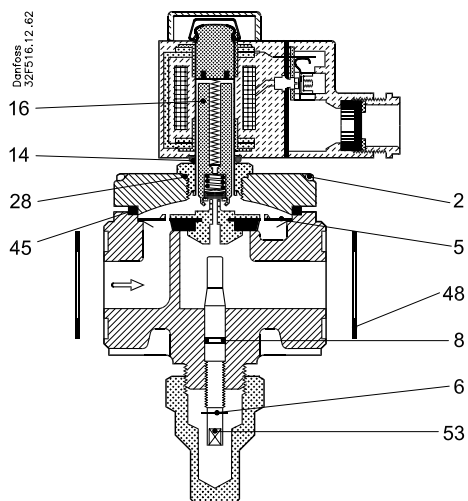
EVRA 15 (NC) with plug-in armature tube assembly

Description	Qty Normally Closed (NC)	Code no.	
<b>EVRA 15 Service kit</b>			
Pos. 2 Screw	4	<b>032F6262</b>	
5 Diaphragm assembly	1		
6 Locking ring	1		
8 O-ring	1		
14 O-ring	1		
16 Armature assembly, teflon	1		
28 Al. gasket	1		
45 Rubber gasket	1	<b>032F6275</b>	
48 Flange gasket	2		
<b>EVRA 15 Service kit</b>			
Pos. 5 Diaphragm assembly	1		<b>032F0254</b>
14 O-ring	1		
16 Armature assembly, rubber	1		
28 Al. gasket	1		
45 Rubber gasket	1		
<b>EVRA 15 Seal kit</b>			
Pos. 8 O-ring	1	<b>032F0109</b>	
14 O-ring	1		
28 Al. gasket	1		
45 Rubber gasket	1		
48 Flange gasket	2	<b>032F0241</b>	
<b>EVRA 15 d.c. armature</b>			
Pos. 16 d.c. armature assembly	1		
28 Rubber gasket	1		
28 Al. gasket	1		
<b>EVRA 15 Manual spindle</b>			
Pos. 6 Locking ring	1	<b>032F0241</b>	
8 O-ring	1		
53 Spindle	1		



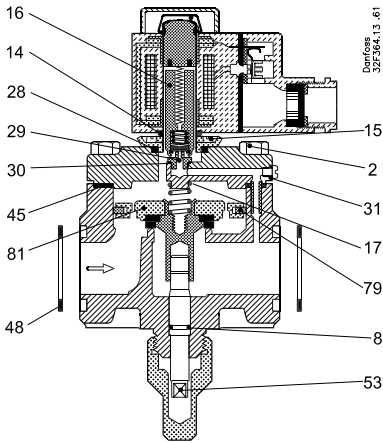
EVRA 20 (NC), previous design

Description	Qty Normally Closed (NC)	Code no.	
<b>EVRA 20, previous design</b>			
<b>Service kit</b>			
Pos. 2 Screw	4	<b>032F0206</b>	
5 Diaphragm assembly	1		
6 Locking ring	1		
8 O-ring	1		
14 O-ring	1		
15 Screw	4		
16 Armature assembly, teflon	1		
28 Rubber gasket	1		
45 Rubber gasket	1	<b>032F0218</b>	
48 Flange gasket	2		
<b>EVRA 20, previous design</b>			
<b>Service kit</b>			
Pos. 5 Diaphragm assembly	1		
14 O-ring	1		
16 Armature assembly, rubber	1		
28 Rubber gasket	1		
45 Rubber gasket	1		
<b>EVRA 20, previous design</b>			
<b>Seal kit</b>			
Pos. 8 O-ring	1	<b>032F0213</b>	
14 O-ring	1		
28 Rubber gasket	1		
45 Rubber gasket	1		
48 Flange gasket	2	<b>032F0109</b>	
<b>EVRA 20</b>			
<b>d.c. armature</b>			
Pos. 16 d.c. armature assembly	1		
28 Rubber gasket	1		
28 Al. gasket	1	<b>032F0241</b>	
<b>EVRA 20</b>			
<b>Manual spindle</b>			
Pos. 6 Locking ring	1		
8 O-ring	1		
53 Spindle	1		



EVRA 20 (NC) with plug-in armature tube assembly

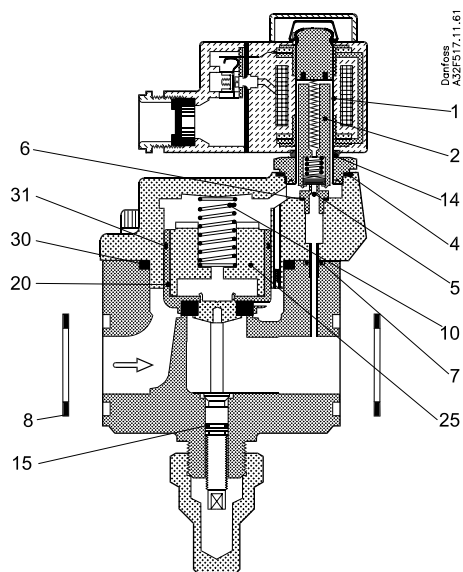
Description	Qty Normally Closed (NC)	Code no.	
<b>EVRA 20 Service kit</b>			
Pos. 2 Screw	4	<b>032F6264</b>	
5 Diaphragm assembly	1		
6 Locking ring	1		
8 O-ring	1		
14 O-ring	1		
16 Armature assembly, teflon	1		
28 Al. gasket	1		
45 Rubber gasket	1	<b>032F6277</b>	
48 Flange gasket	2		
<b>EVRA 20 Service kit</b>			
Pos. 5 Diaphragm assembly	1		
14 O-ring	1		
16 Armature assembly, rubber	1		
28 Al. gasket	1		
45 Rubber gasket	1		
<b>EVRA 20 Seal kit</b>			
Pos. 8 O-ring	1	<b>032F6268</b>	
14 O-ring	1		
28 Al. gasket	1		
45 Rubber gasket	1		
48 Flange gasket	2		
<b>EVRA 20 d.c. armature</b>			
Pos. 16 d.c. armature assembly	1	<b>032F0109</b>	
28 Rubber gasket	1		
28 Al. gasket	1		
<b>EVRA 20 Manual spindle</b>			
Pos. 6 Locking ring	1	<b>032F0241</b>	
8 O-ring	1		
53 Spindle	1		



EVRA 25 (NC), old version

Description	Qty Normally Closed (NC)	Code no.	
<b>EVRA 25</b>			
<b>Service kit</b>			
Pos. 2 Screw	4	<b>032F0208</b>	
8 O-ring	1		
14 O-ring	1		
15 Screw	4		
16 Armature assembly, teflon	1		
17 Spring	1		
28 Rubber gasket	1		
29 Orifice	1		
30 Al. gasket	1		
31 Gasket	1		
45 Gasket	1		
48 Flange gasket	2		
79 Piston ring	1		
81 Piston assembly	1		
<b>EVRA 25</b>			
<b>Service kit</b>			
Pos. 14 O-ring	1	<b>032F0198</b>	
16 Armature assembly, rubber	1		
28 Rubber gasket	1		
29 Orifice	1		
30 Al. gasket	1	<b>032F0214</b>	
<b>EVRA 25</b>			
<b>Seal kit</b>			
Pos. 8 O-ring	1		
14 O-ring	1		
28 Rubber gasket	1		
30 Al. gasket	1		
31 Gasket	1		
45 Gasket	1		
48 Flange gasket	2	<b>032F0099</b>	
<b>EVRA 25. d.c. armature</b>			
Pos. 16 d.c. armature assembly	1	<b>032F0242</b>	
<b>EVRA 25. Manual spindle</b>			
Pos. 8 O-ring	1		
53 Spindle	1		



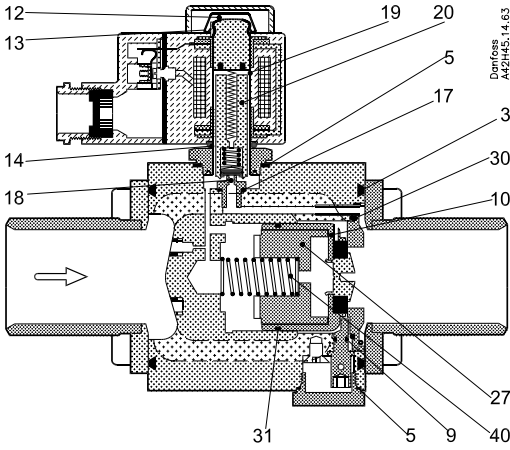


EVRA 25 (NC) with cast iron piston and piston ring

Description	Qty Normally Closed (NC)	Code no.
<b>EVRA 25 Piston service kit</b>		
Pos. 7 O-ring	1	<b>032F3241</b>
10 Spring	1	
14 O-ring	1	
20 Piston assembly	1	
25 Plastic block	1	
30 Rubber gasket	1	
31 Piston ring	1	
<b>EVRA 25 Pilot service kit</b>		
Pos. 1 Armature tube assembly	1	<b>042H0162</b>
2 Armature	1	
4 Al. gasket	1	
5 Orifice	1	
6 Al. gasket	1	
14 O-ring	1	
<b>EVRA 25 Seal kit</b>		
Pos. 4 Al. gasket	1	<b>032F3235</b>
6 Al. gasket	1	
7 O-ring	1	
8 Flange gasket	2	
14 O-ring	1	
15 O-ring	1	
30 Rubber gasket	1	

**Note.**

All code nos. are valid for EVRA 25 with stainless steel piston as well as for EVRA 25 with cast iron piston



EVRA 32 and 40 (NC) with cast iron piston and piston ring

Description	Qty	EVRA 32 Code no. Normally Open (NC)	EVRA 40 Code no. Normally Open (NC)
<b>EVRA 32 and 40 with cast iron piston and piston ring</b>			
<b>Piston service kit</b>			
Pos. 3 O-ring	2	<b>042H0174</b>	<b>042H0175</b>
5 Al. gasket	1		
9 O-ring	1		
10 Piston assembly, cast iron	1		
14 O-ring	1		
27 Plastic block	1		
30 O-ring	1		
31 Piston ring	1		
40 Spring	1		
<b>Pilot service kit</b>			
Pos. 5 Al. gasket	1	<b>042H0167</b>	<b>042H0168</b>
14 O-ring	1		
17 Al. gasket	1		
18 Orifice	1		
19 Armature tube assembly	1		
20 Armature	1		
<b>Seal kit</b>			
Pos. 3 O-ring	2	<b>042H0160</b>	<b>042H0160</b>
5 Al. gasket	2		
9 O-ring	1		
14 O-ring	1		
17 Al. gasket	1		
30 O-ring	1		