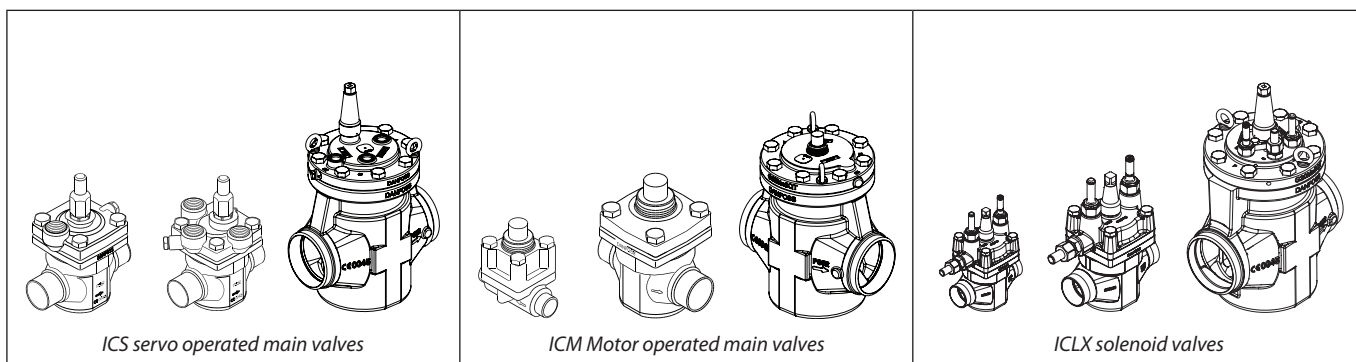


Spare part kits

ICV valves - ICS, ICM, ICLX



Inspection kits

Contain all gaskets, O-rings and aluminum rings belonging to one valve size.
For detailed content, see specific pages below.

Valve type	Inspection kit code number	See page
ICS / ICM / ICLX		
Size		
25*	027H2218	2
32	027H3016	3
40	027H4014	4
50	027H5014	5
65 / 80	027H6016	6
100	027H7191	7
125	027H7194	8
150	027H7196	9

* ICS and ICM only

Repair kits

Contain all gaskets, O-rings and aluminum rings belonging to one valve size, valve seat and piston ring. For detailed content, see specific pages below.

Valve type	Repair kit code number	See page
ICS / ICLX		
Size		
25**	027H2219	10
32	027H3017	11
40	027H4015	12
50	027H5015	13
65 / 80	027H6017	14
100	027H7192	15
125	027H7204	16
150	027H7197	17

** ICS only

Valve type	Repair kit code number	See page
ICM		
Size		
20	027H1190	18
100	027H7135	19
125	027H7155	20
150	027H7175	21

Overhaul kits

Contain all gaskets, O-rings and aluminum rings belonging to 1 valve size and parts what could be damaged or worn out.
Where possible, code numbers of complete modules or top parts from parts program are used.
For detailed content, see specific pages below.

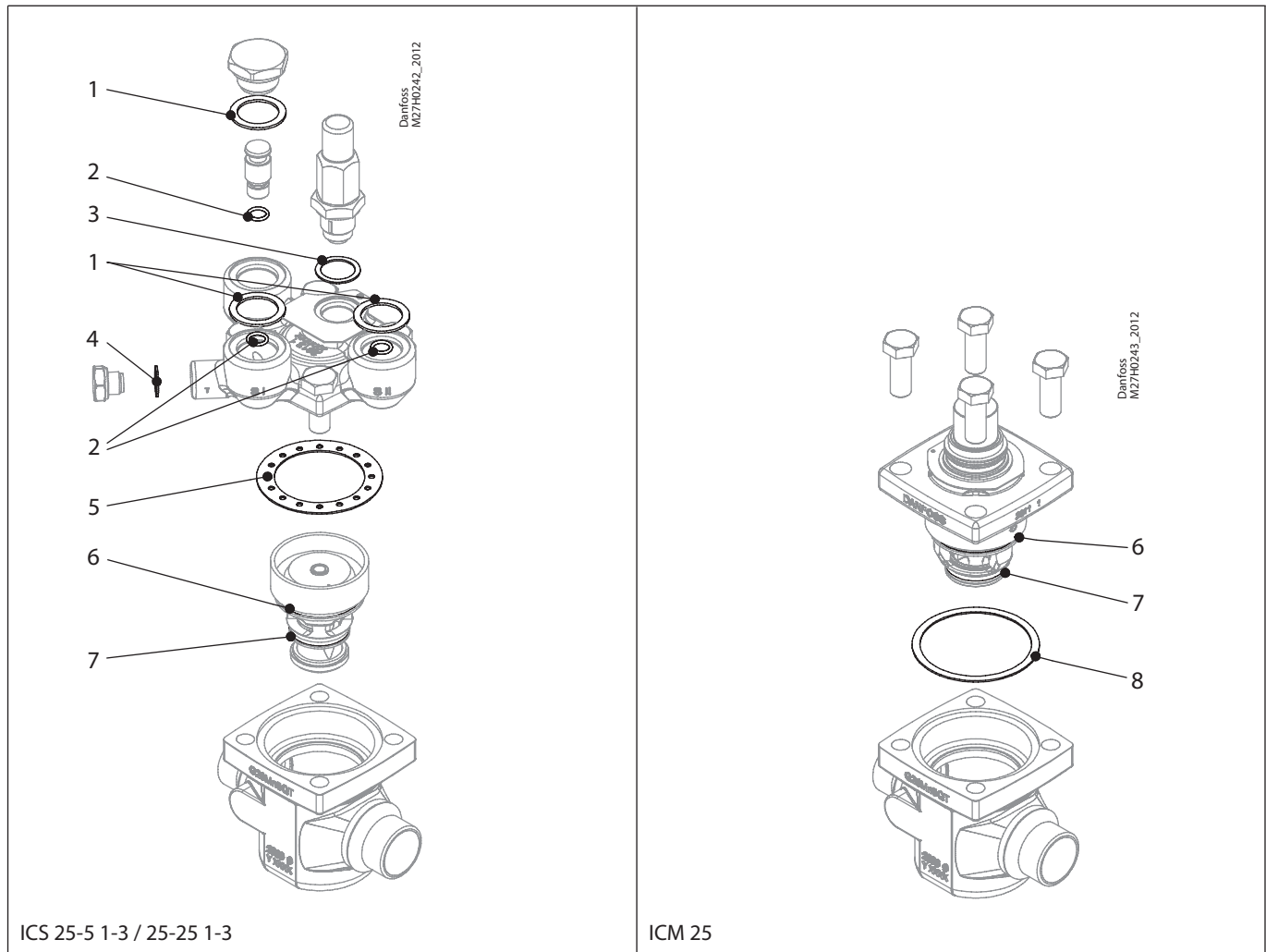
Valve type	Overhaul kit code number	See page
ICS		
Size		
25-5	027H2225	22
25-10	027H2138	23
25-15	027H3019	24
25-20	027H3043	25
25-25	027H3044	26
32	027H3018	27
40	027H4016	28
50	027H5016	29
65	027H6018	30
80	027H6028	31
100	027H7193	32
125	027H7195	33
150	027H7198	34

Valve type	Overhaul kit code number	See page
ICM		
Size		
20A	027H1180	35
20A-33	027H1186	36
20B	027H1181	37
20B-66	027H1194	38
20C	027H1182	39
25A	027H2180	40
25B	027H2181	41
32A	027H3180	42
32B	027H3181	43
40A	027H4180	44
40B	027H4181	45
50A	027H5180	46
50B	027H5181	47
65A	027H6180	48
65B	027H6181	49
100	027H7136	50
125	027H7156	51
150	027H7176	52

Valve type	Overhaul kit code number	See page
ICLX		
Size		
32	027H3204	53
40	027H4204	54
50	027H5204	55
65 / 80	027H6204	56
100	027H7221	57
125	027H7222	58
150	027H7223	59

ICS, size 25-5 to 25-25 / ICM, size 25

Inspection kit | Code number 027H2218



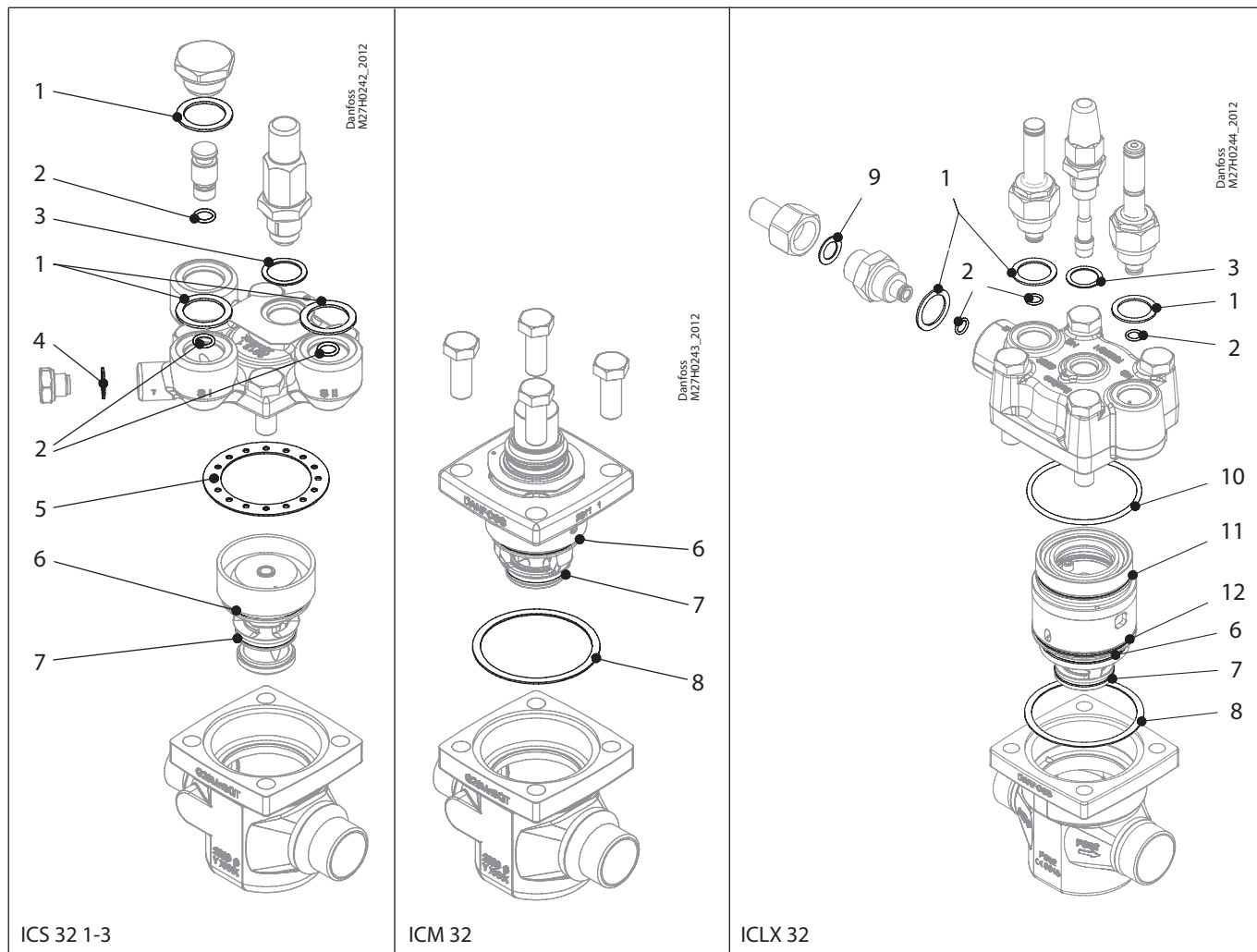
ICS 25-5 1-3 / 25-25 1-3

ICM 25

<p>1</p> <p> = Fibre</p> <p>Total no. = 3</p>	<p>2</p> <p> = Alu.</p> <p>Total no. = 3</p>	<p>3</p> <p> = Alu.</p> <p>Total no. = 1</p>	<p>4</p> <p> = Alu.</p> <p>Total no. = 1</p>	<p>5</p> <p> = Fibre</p> <p>Total no. = 1</p>
<p>6</p> <p> = Alu.</p> <p>Total no. = 1</p>	<p>7</p> <p> = Alu.</p> <p>Total no. = 2</p>	<p>8</p> <p> = Fibre</p> <p>Total no. = 1</p>		

ICS, size 32 (1-3) / ICM, size 32 / ICLX, size 32

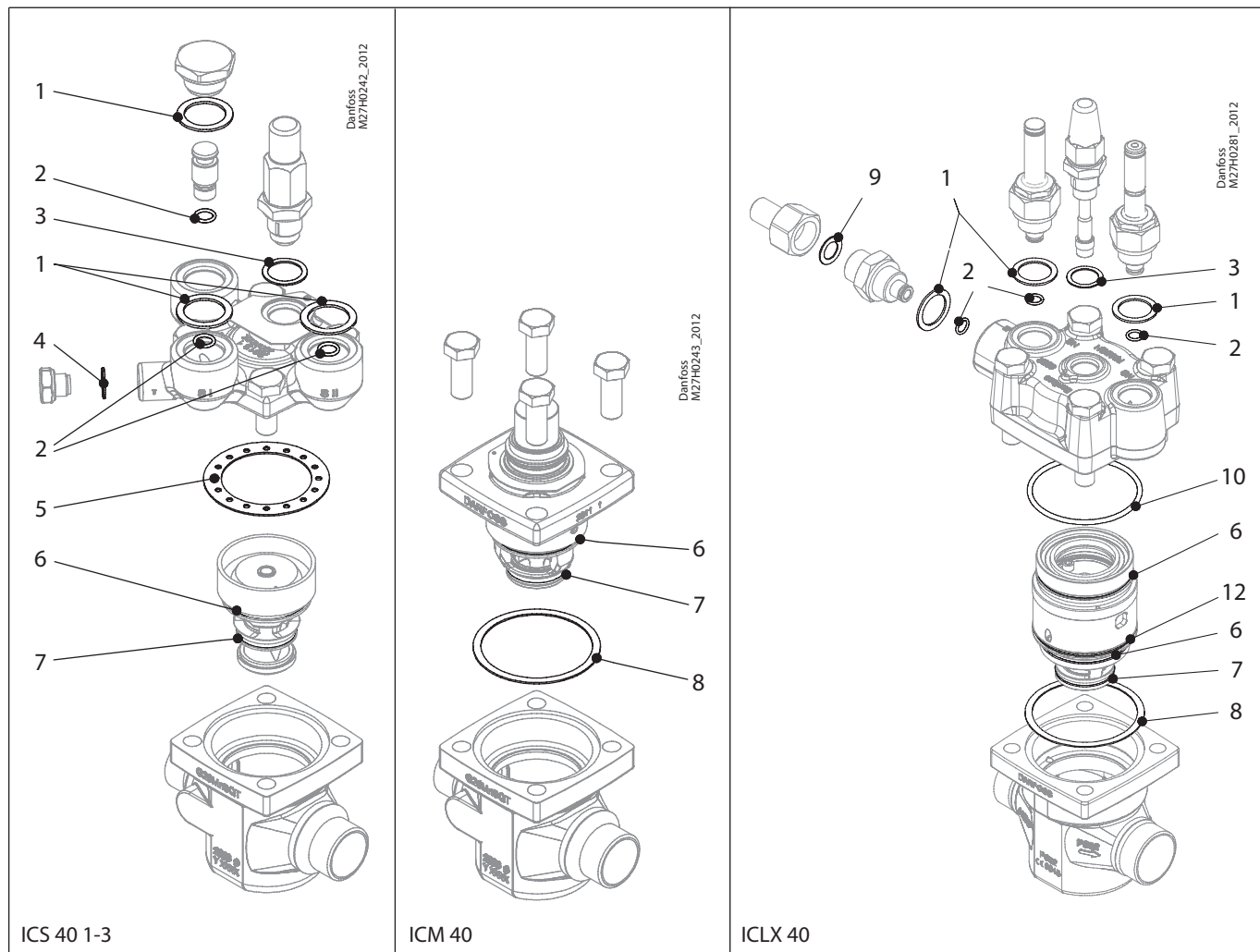
Inspection kit | Code number 027H3016



<p>1</p> <p> = Fibre</p> <p>Total no. = 3</p>	<p>2</p> <p> = Al.</p> <p>Total no. = 3</p>	<p>3</p> <p> = Al.</p> <p>Total no. = 1</p>	<p>4</p> <p> = Al.</p> <p>Total no. = 1</p>	<p>5</p> <p> = Fibre</p> <p>Total no. = 1</p>
<p>6</p> <p> = Al.</p> <p>Total no. = 1</p>	<p>7</p> <p> = Al.</p> <p>Total no. = 1</p>	<p>8</p> <p> = Fibre</p> <p>Total no. = 1</p>	<p>9</p> <p> = Al.</p> <p>Total no. = 1</p>	<p>10</p> <p> = Al.</p> <p>Total no. = 1</p>
<p>11</p> <p> = Al.</p> <p>Total no. = 1</p>	<p>12</p> <p> = Al.</p> <p>Total no. = 1</p>			

ICS, size 40 (1-3) / ICM, size 40 / ICLX, size 40

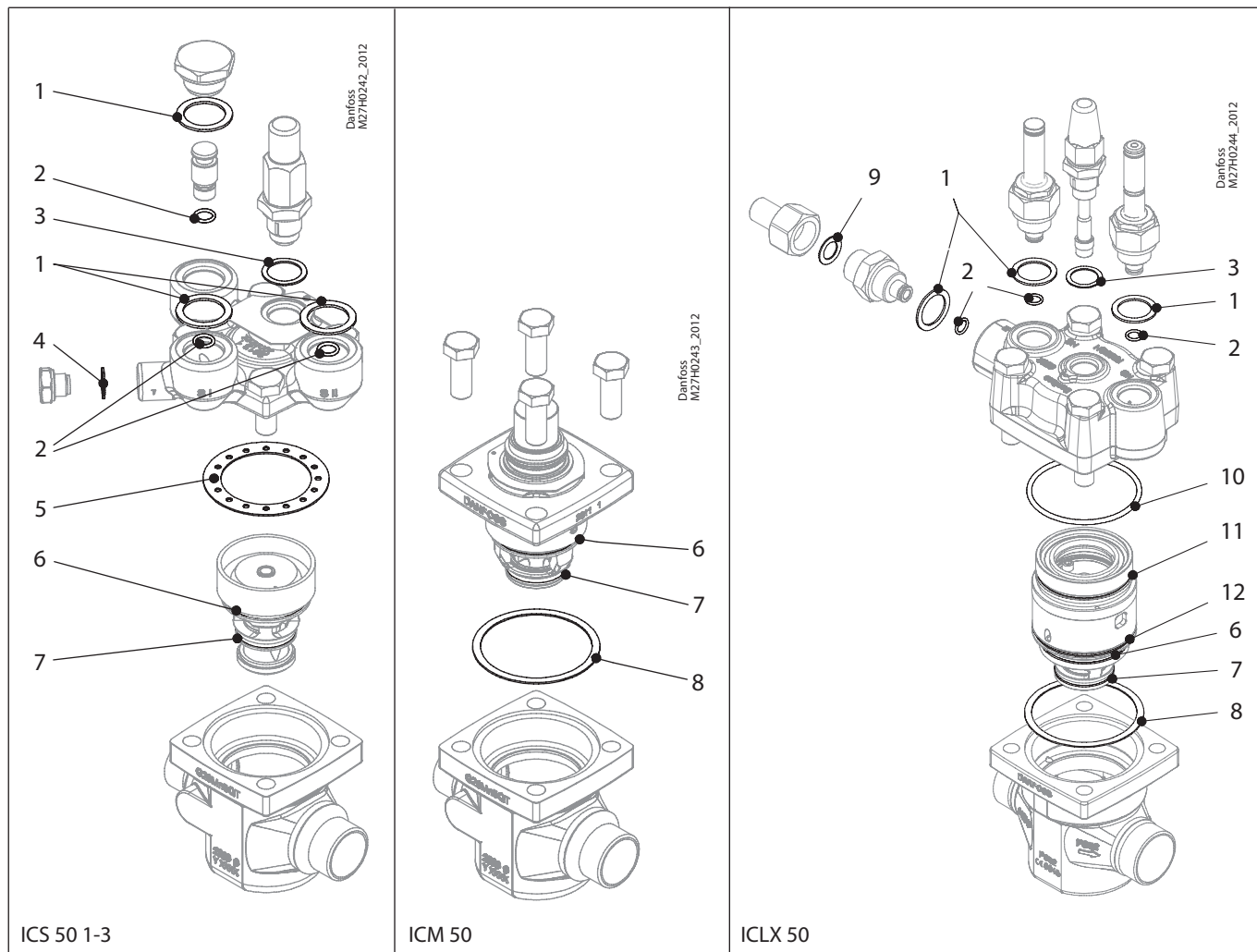
Inspection kit | Code number 027H4014



<p>1</p> <p> = Fibre</p> <p>Total no. = 3</p>	<p>2</p> <p> = Al.</p> <p>Total no. = 3</p>	<p>3</p> <p> = Al.</p> <p>Total no. = 1</p>	<p>4</p> <p> = Al.</p> <p>Total no. = 1</p>	<p>5</p> <p> = Fibre</p> <p>Total no. = 1</p>
<p>6</p> <p> = Al.</p> <p>Total no. = 2</p>	<p>7</p> <p> = Al.</p> <p>Total no. = 1</p>	<p>8</p> <p> = Fibre</p> <p>Total no. = 1</p>	<p>9</p> <p> = Al.</p> <p>Total no. = 1</p>	<p>10</p> <p> = Al.</p> <p>Total no. = 1</p>
<p>12</p> <p> = Al.</p> <p>Total no. = 1</p>				

ICS, size 50 (1-3) / ICM, size 50 / ICLX, size 50

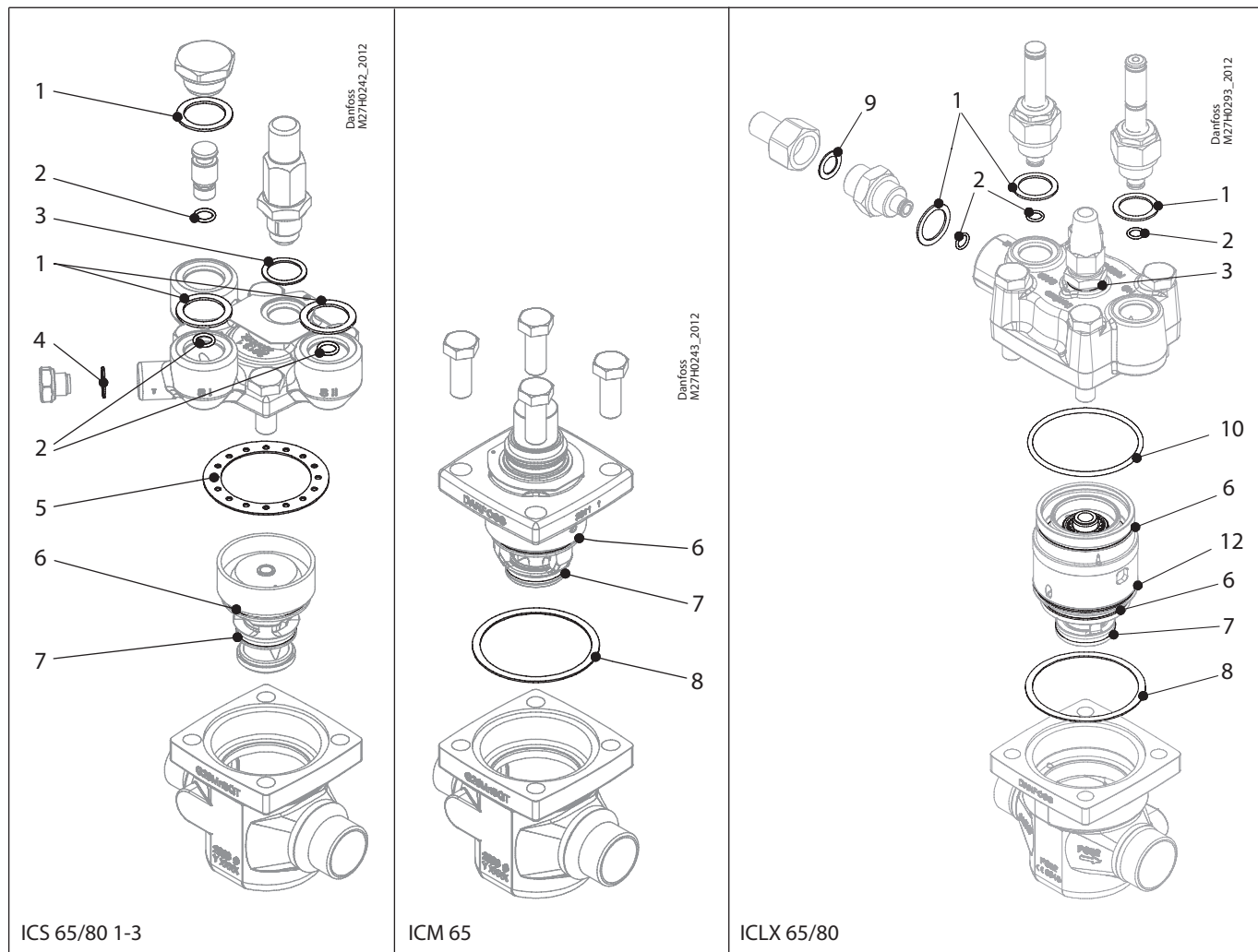
Inspection kit | Code number 027H5014



<p>1</p> <p> = Fibre</p> <p>Total no. = 3</p>	<p>2</p> <p> = Al.</p> <p>Total no. = 3</p>	<p>3</p> <p> = Al.</p> <p>Total no. = 1</p>	<p>4</p> <p> = Al.</p> <p>Total no. = 1</p>	<p>5</p> <p> = Fibre</p> <p>Total no. = 1</p>
<p>6</p> <p> = Al.</p> <p>Total no. = 1</p>	<p>7</p> <p> = Al.</p> <p>Total no. = 1</p>	<p>8</p> <p> = Fibre</p> <p>Total no. = 1</p>	<p>9</p> <p> = Al.</p> <p>Total no. = 1</p>	<p>10</p> <p> = Al.</p> <p>Total no. = 1</p>
<p>11</p> <p> = Al.</p> <p>Total no. = 1</p>	<p>12</p> <p> = Al.</p> <p>Total no. = 1</p>			

ICS, size 65/80 (1-3) / ICM, size 65 / ICLX, size 65/80

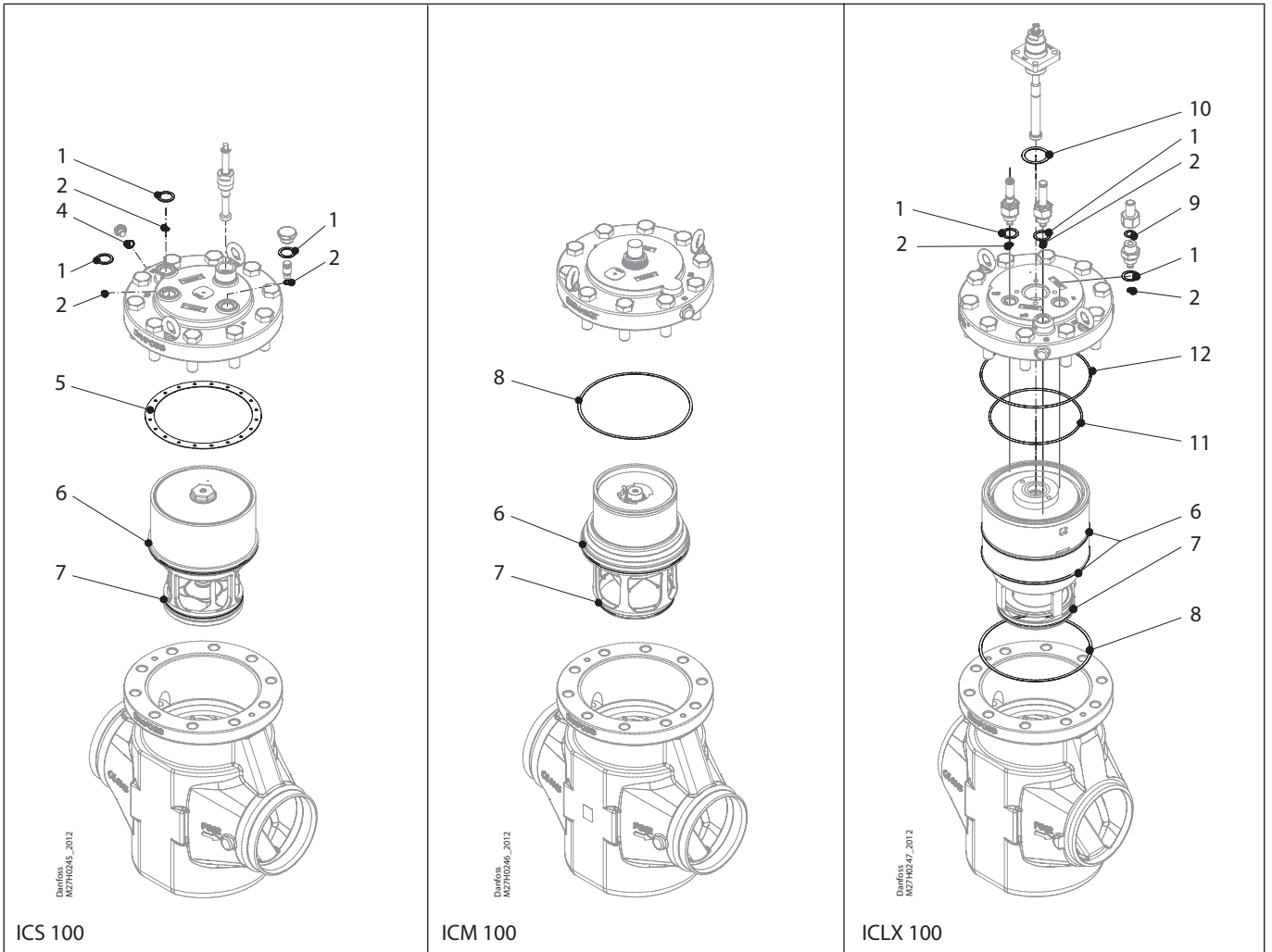
Inspection kit | Code number 027H6016



<p>1</p> <p> = Fibre</p> <p>Total no. = 3</p>	<p>2</p> <p> = Fibre</p> <p>Total no. = 3</p>	<p>3</p> <p> = Alu.</p> <p>Total no. = 1</p>	<p>4</p> <p> = Alu.</p> <p>Total no. = 1</p>	<p>5</p> <p> = Fibre</p> <p>Total no. = 1</p>
<p>6</p> = Fibre <p>Total no. = 2</p>	<p>7</p> <p> = Fibre</p> <p>Total no. = 1</p>	<p>8</p> <p> = Fibre</p> <p>Total no. = 1</p>	<p>9</p> <p> = Alu.</p> <p>Total no. = 1</p>	<p>10</p> <p> = Fibre</p> <p>Total no. = 1</p>
<p>12</p> <p> = Fibre</p> <p>Total no. = 1</p>				

ICS, size 100 / ICM, size 100 / ICLX, size 100

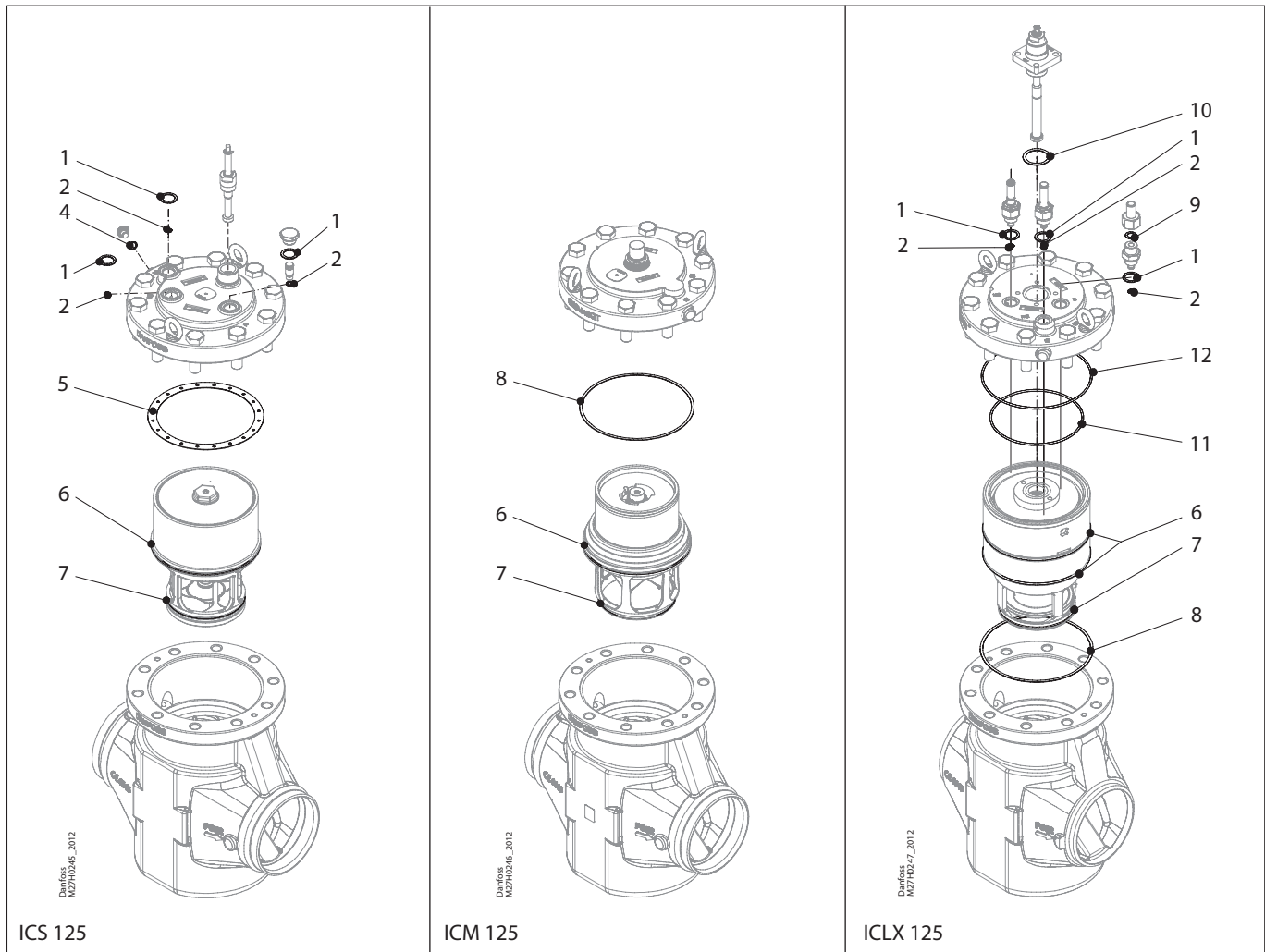
Inspection kit | Code number 027H7191



<p>1</p> <p> = Fibre</p> <p>Total no. = 3</p>	<p>2</p> <p> = Al.</p> <p>Total no. = 3</p>	<p>4</p> <p> = Al.</p> <p>Total no. = 1</p>	<p>5</p> <p> = Fibre</p> <p>Total no. = 1</p>	<p>6</p> <p> = Al.</p> <p>Total no. = 2</p>
<p>7</p> <p> = Al.</p> <p>Total no. = 1</p>	<p>8</p> <p> = Fibre</p> <p>Total no. = 1</p>	<p>9</p> <p> = Al.</p> <p>Total no. = 1</p>	<p>10</p> <p> = Fibre</p> <p>Total no. = 1</p>	<p>11</p> <p> = Al.</p> <p>Total no. = 1</p>
<p>12</p> <p> = Al.</p> <p>Total no. = 1</p>				

ICS, size 125 / ICM, size 125 / ICLX, size 125

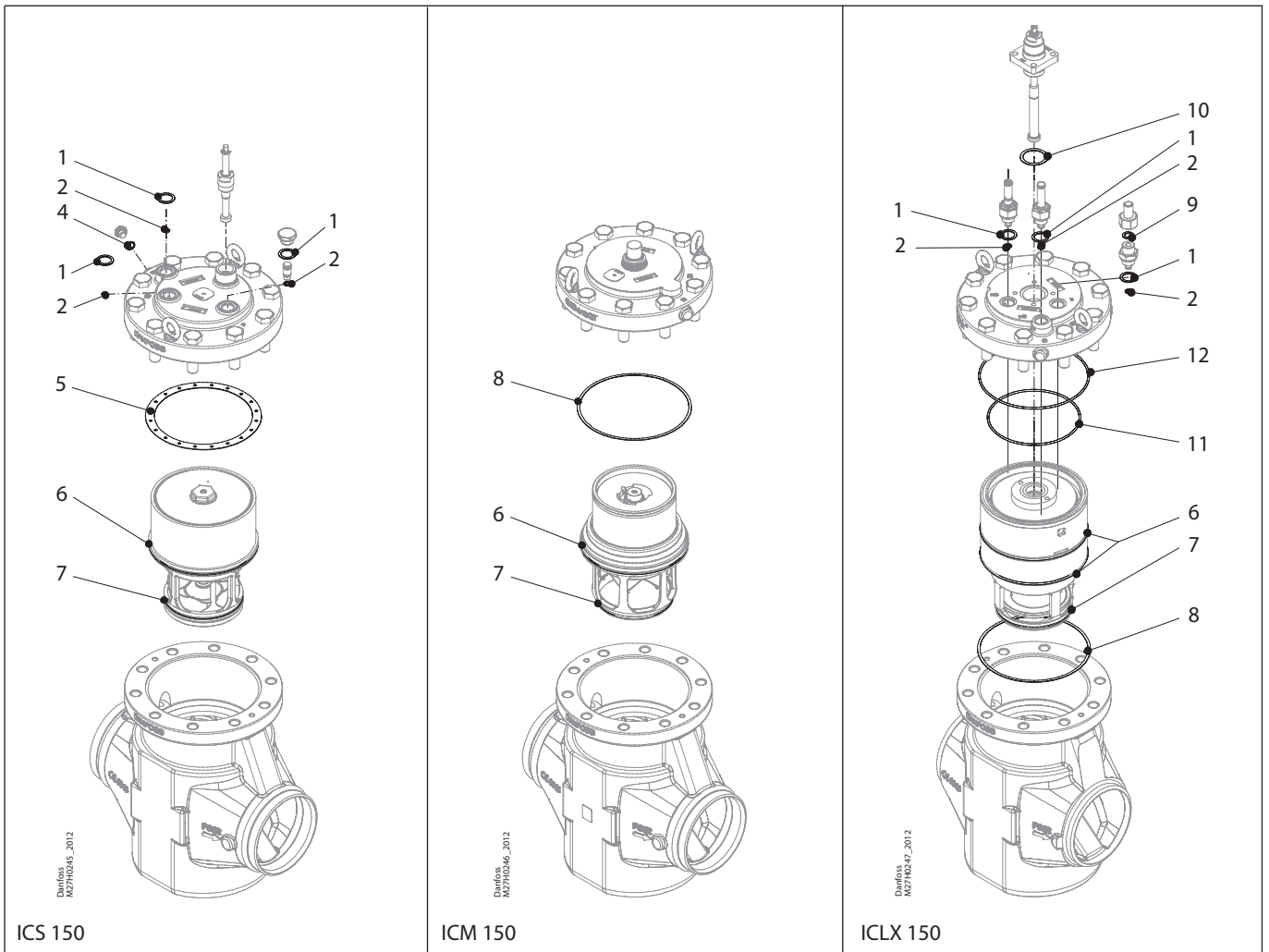
Inspection kit | Code number 027H7194



<p>1</p> <p> = Fibre</p> <p>Ø32.5 mm Ø1.28"</p> <p>Total no. = 3</p>	<p>2</p> <p> = Fibre</p> <p>Ø9 mm Ø0.36"</p> <p>Total no. = 3</p>	<p>4</p> <p> = Alu.</p> <p>Ø18 mm Ø0.7"</p> <p>Total no. = 1</p>	<p>5</p> <p> = Fibre</p> <p>Ø178 mm Ø7.01"</p> <p>Total no. = 1</p>	<p>6</p> <p> = Fibre</p> <p>Ø158 mm Ø6.22"</p> <p>Total no. = 2</p>
<p>7</p> <p> = Fibre</p> <p>Ø114 mm Ø4.49"</p> <p>Total no. = 1</p>	<p>8</p> <p> = Fibre</p> <p>Ø178 mm Ø7.01"</p> <p>Total no. = 1</p>	<p>9</p> <p> = Alu.</p> <p>Ø22 mm Ø0.87"</p> <p>Total no. = 1</p>	<p>10</p> <p> = Fibre</p> <p>Ø54 mm Ø2.13"</p> <p>Total no. = 1</p>	<p>11</p> <p> = Fibre</p> <p>Ø133 mm Ø5.24"</p> <p>Total no. = 1</p>
<p>12</p> <p> = Fibre</p> <p>Ø165 mm Ø6.5"</p> <p>Total no. = 1</p>				

ICS, size 150 / ICM, size 150 / ICLX, size 150

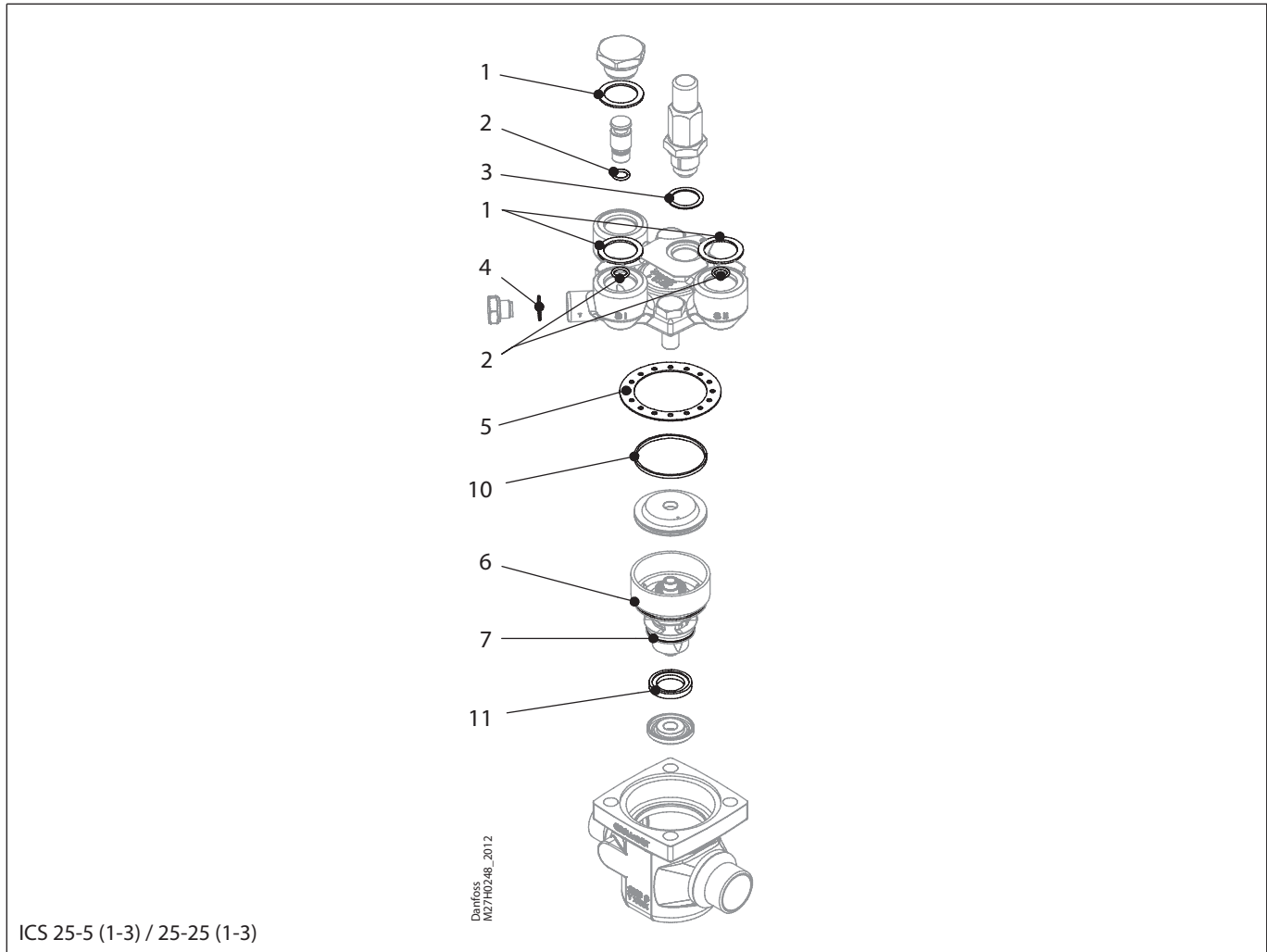
Inspection kit | Code number 027H7196



<p>1</p> <p> = Fibre</p> <p>Total no. = 3</p>	<p>2</p> <p> = Fibre</p> <p>Total no. = 3</p>	<p>4</p> <p> = Alu.</p> <p>Total no. = 1</p>	<p>5</p> <p> = Fibre</p> <p>Total no. = 1</p>	<p>6</p> <p> = Fibre</p> <p>Total no. = 2</p>
<p>7</p> <p> = Fibre</p> <p>Total no. = 1</p>	<p>8</p> <p> = Fibre</p> <p>Total no. = 1</p>	<p>9</p> <p> = Alu.</p> <p>Total no. = 1</p>	<p>10</p> <p> = Fibre</p> <p>Total no. = 1</p>	<p>11</p> <p> = Fibre</p> <p>Total no. = 1</p>
<p>12</p> <p> = Fibre</p> <p>Total no. = 1</p>				

ICS, size 25-5 to 25-25

Repair kit | Code number 027H2219

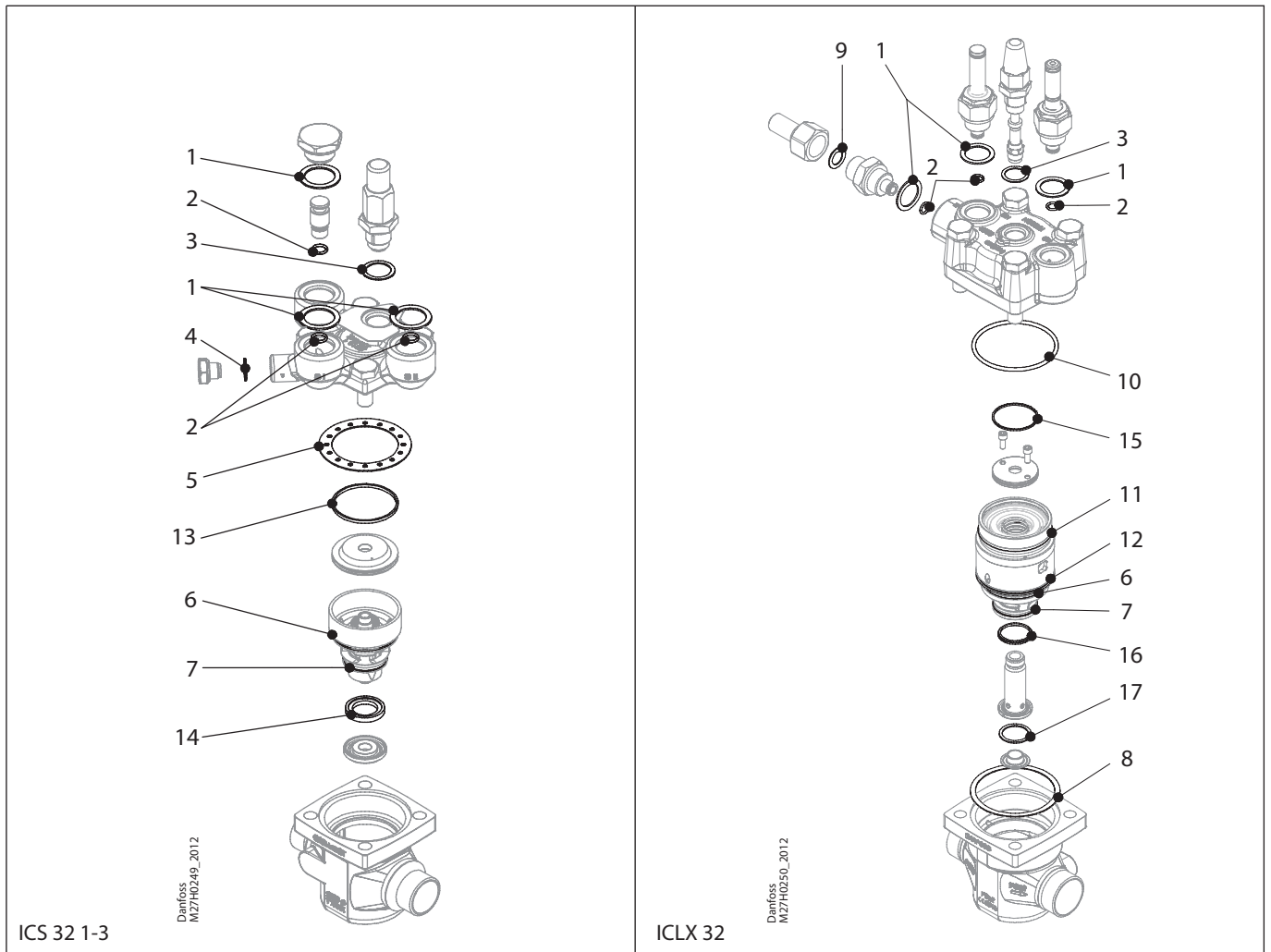


ICS 25-5 (1-3) / 25-25 (1-3)

<p>1</p> <p> = Fibre</p> <p>Total no. = 3</p>	<p>2</p> <p>Total no. = 3</p>	<p>3</p> <p> = Alu.</p> <p>Total no. = 1</p>	<p>4</p> <p> = Alu.</p> <p>Total no. = 1</p>	<p>5</p> <p> = Fibre</p> <p>Total no. = 1</p>
<p>6</p> <p>Total no. = 1</p>	<p>7</p> <p>Total no. = 1</p>	<p>10</p> <p> = Steel</p> <p>Total no. = 1</p>	<p>11</p> <p>Total no. = 1</p>	

ICS, size 32 (1-3) / ICLX, size 32

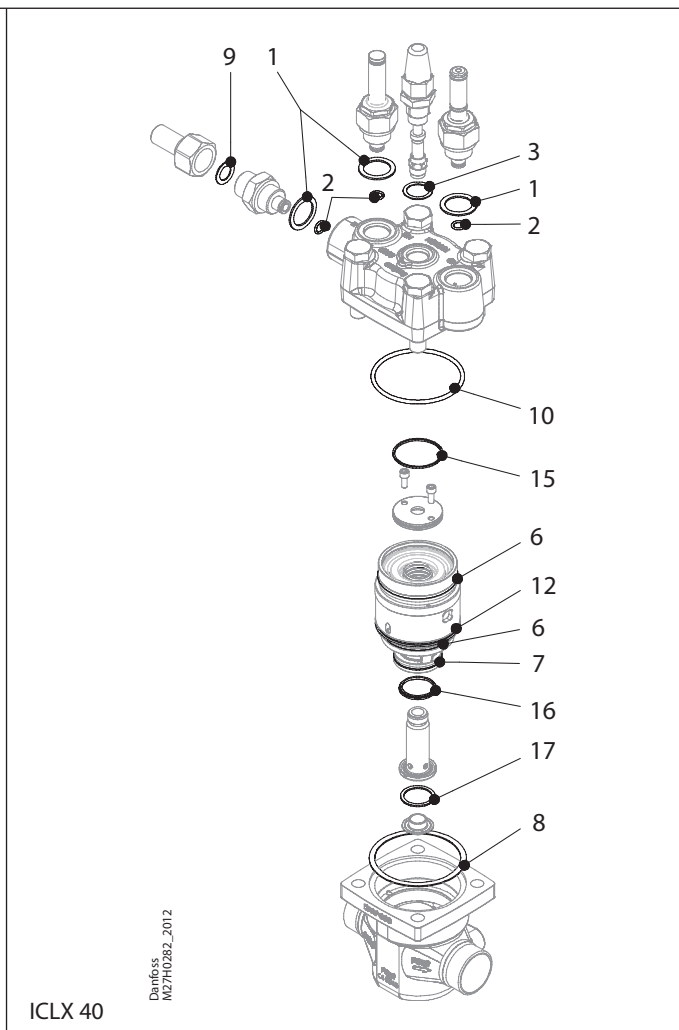
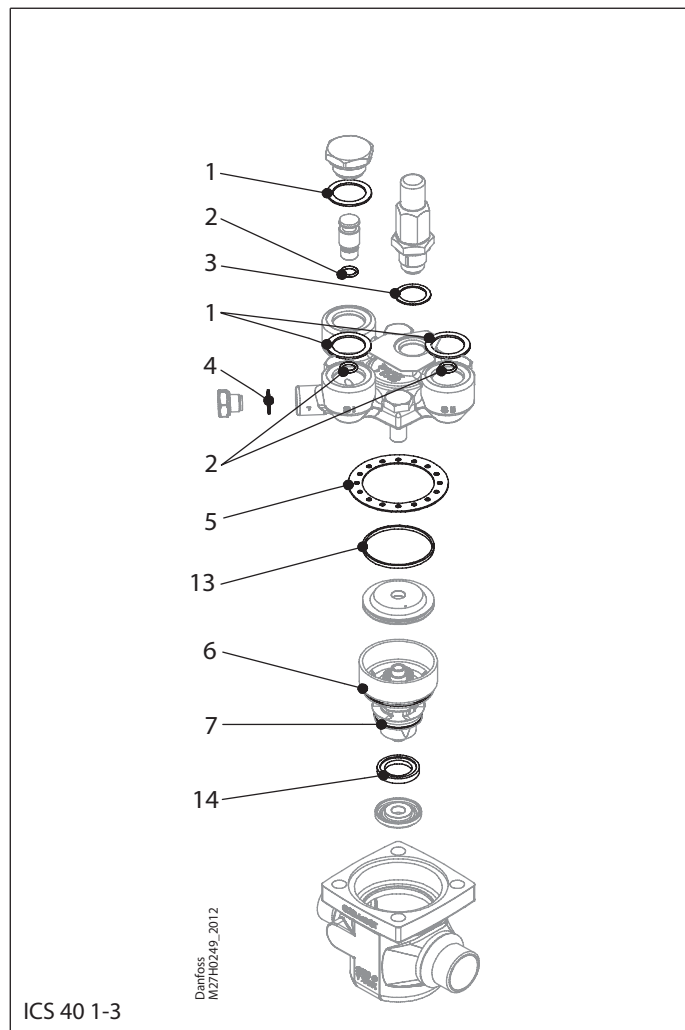
Repair kit | Code number 027H3017



<p>1</p> <p> = Fibre</p> <p>Total no. = 3</p>	<p>2</p> <p> = Steel</p> <p>Total no. = 3</p>	<p>3</p> <p> = Alu.</p> <p>Total no. = 1</p>	<p>4</p> <p> = Alu.</p> <p>Total no. = 1</p>	<p>5</p> <p> = Fibre</p> <p>Total no. = 1</p>	<p>6</p> <p> = Steel</p> <p>Total no. = 1</p>
<p>7</p> <p> = Steel</p> <p>Total no. = 1</p>	<p>8</p> <p> = Fibre</p> <p>Total no. = 1</p>	<p>9</p> <p> = Alu.</p> <p>Total no. = 1</p>	<p>10</p> <p> = Steel</p> <p>Total no. = 1</p>	<p>11</p> <p> = Steel</p> <p>Total no. = 1</p>	<p>12</p> <p> = Steel</p> <p>Total no. = 1</p>
<p>13</p> <p> = Steel</p> <p>Total no. = 1</p>	<p>14</p> <p> = PTFE</p> <p>Total no. = 1</p>	<p>15</p> <p> = Steel</p> <p>Total no. = 1</p>	<p>16</p> <p> = PTFE</p> <p>Total no. = 1</p>	<p>17</p> <p> = PTFE</p> <p>Total no. = 1</p>	

ICS, size 40 (1-3) / ICLX, size 40

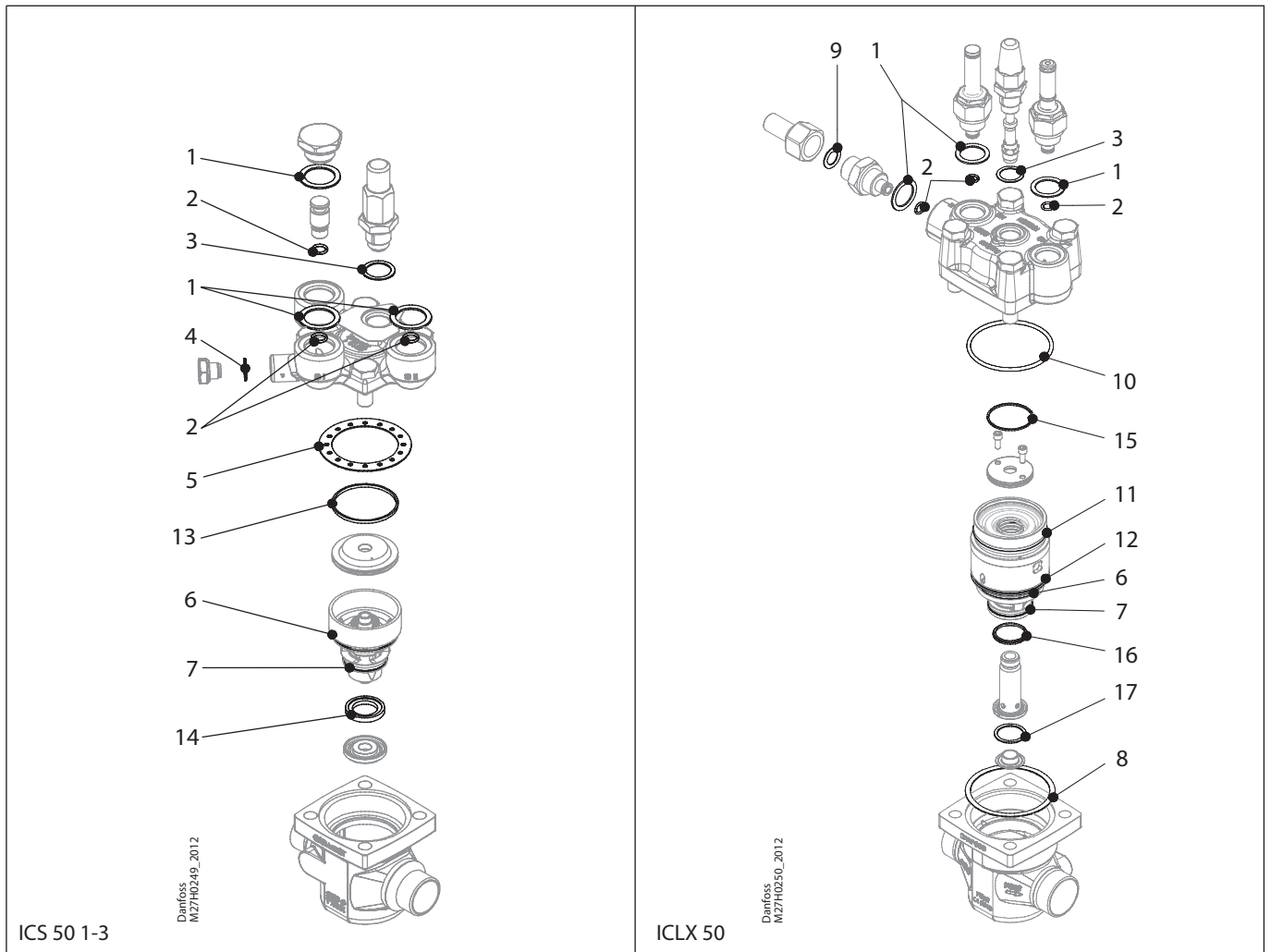
Repair kit | Code number 027H4015



<p>1</p> <p> = Fibre</p> <p>Total no. = 3</p>	<p>2</p> <p> = Alu.</p> <p>Total no. = 3</p>	<p>3</p> <p> = Alu.</p> <p>Total no. = 1</p>	<p>4</p> <p> = Alu.</p> <p>Total no. = 1</p>	<p>5</p> <p> = Fibre</p> <p>Total no. = 1</p>	<p>6</p> <p> = Alu.</p> <p>Total no. = 2</p>
<p>7</p> <p> = Alu.</p> <p>Total no. = 1</p>	<p>8</p> <p> = Fibre</p> <p>Total no. = 1</p>	<p>9</p> <p> = Alu.</p> <p>Total no. = 1</p>	<p>10</p> <p> = Alu.</p> <p>Total no. = 1</p>	<p>12</p> <p> = Alu.</p> <p>Total no. = 1</p>	<p>13</p> <p> = Steel</p> <p>Total no. = 1</p>
<p>14</p> <p> = PTFE</p> <p>Total no. = 1</p>	<p>15</p> <p> = Steel</p> <p>Total no. = 1</p>	<p>16</p> <p> = PTFE</p> <p>Total no. = 1</p>	<p>17</p> <p> = PTFE</p> <p>Total no. = 1</p>		

ICS, size 50 (1-3) / ICLX, size 50

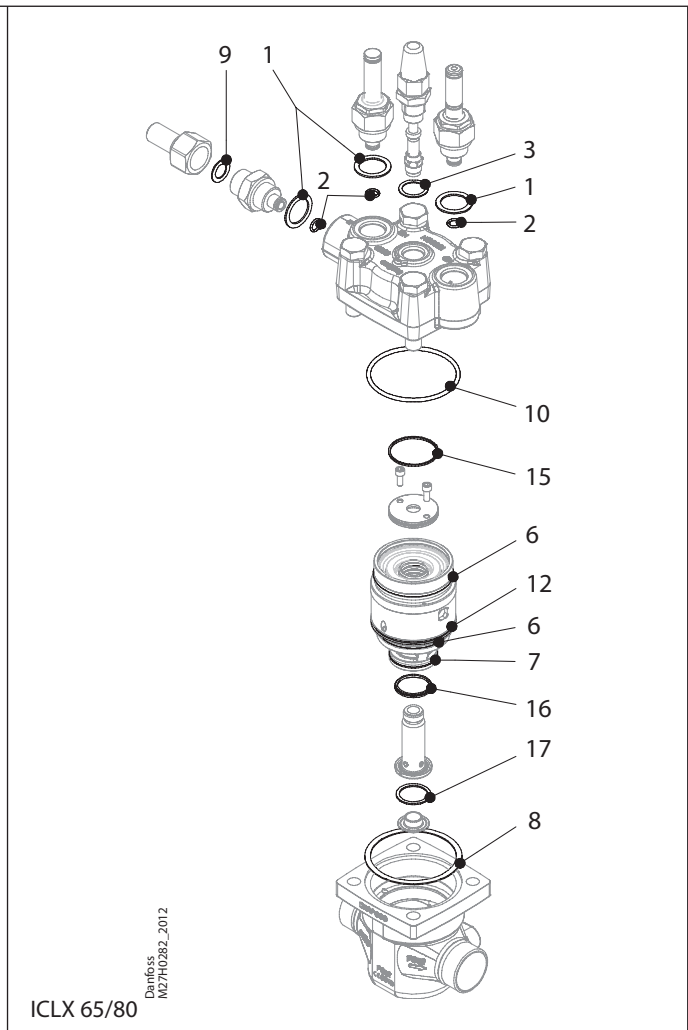
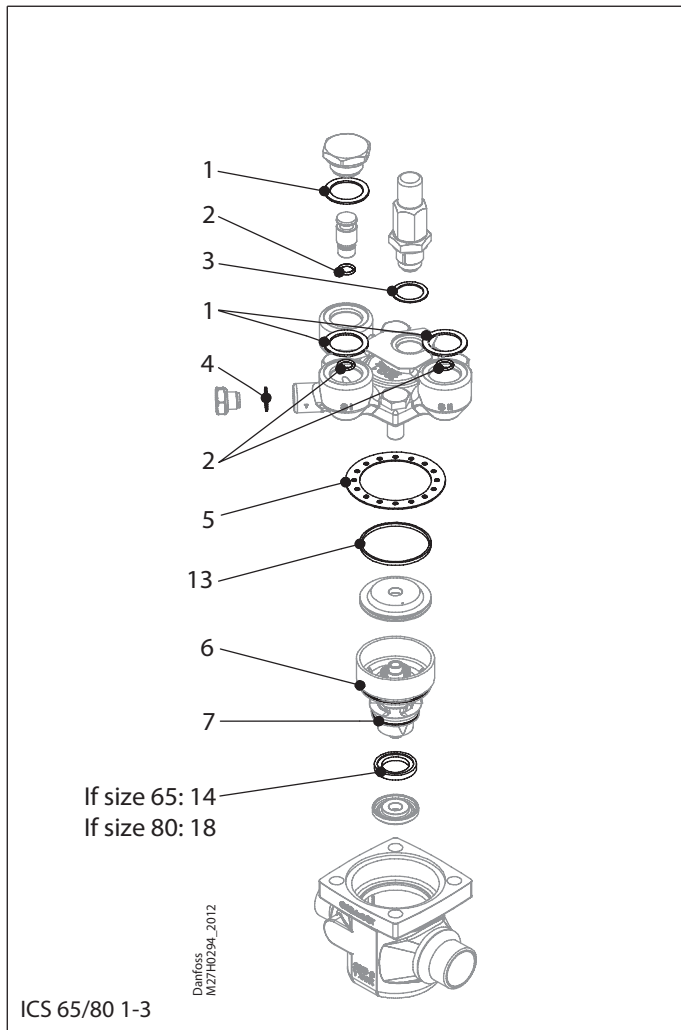
Repair kit | Code number 027H5015



<p>1</p> <p> = Fibre</p> <p>Total no. = 3</p>	<p>2</p> <p> = Fibre</p> <p>Total no. = 3</p>	<p>3</p> <p> = Alu.</p> <p>Total no. = 1</p>	<p>4</p> <p> = Alu.</p> <p>Total no. = 1</p>	<p>5</p> <p> = Fibre</p> <p>Total no. = 1</p>	<p>6</p> <p> = Fibre</p> <p>Total no. = 1</p>
<p>7</p> <p> = Fibre</p> <p>Total no. = 1</p>	<p>8</p> <p> = Fibre</p> <p>Total no. = 1</p>	<p>9</p> <p> = Alu.</p> <p>Total no. = 1</p>	<p>10</p> <p> = Alu.</p> <p>Total no. = 1</p>	<p>11</p> <p> = Fibre</p> <p>Total no. = 1</p>	<p>12</p> <p> = Fibre</p> <p>Total no. = 1</p>
<p>13</p> <p> = Steel</p> <p>Total no. = 1</p>	<p>14</p> <p> = PTFE</p> <p>Total no. = 1</p>	<p>15</p> <p> = Steel</p> <p>Total no. = 1</p>	<p>16</p> <p> = PTFE</p> <p>Total no. = 1</p>	<p>17</p> <p> = PTFE</p> <p>Total no. = 1</p>	

ICS, size 65/80 (1-3) / ICLX, size 65/80

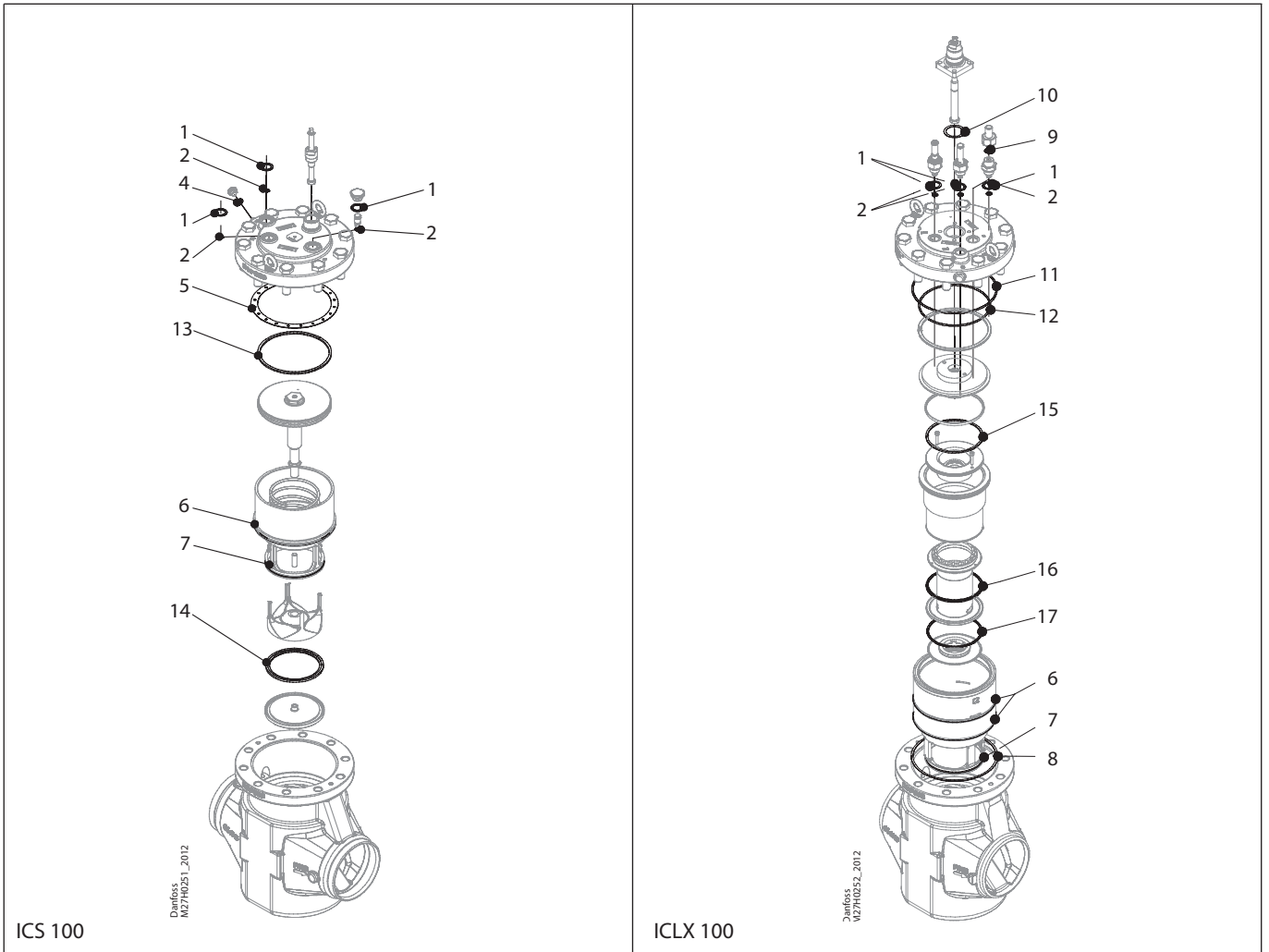
Repair kit | Code number 027H6017



<p>1</p> <p> = Fibre</p> <p>Total no. = 3</p>	<p>2</p> <p> = Al.</p> <p>Total no. = 3</p>	<p>3</p> <p> = Al.</p> <p>Total no. = 1</p>	<p>4</p> <p> = Al.</p> <p>Total no. = 1</p>	<p>5</p> <p> = Fibre</p> <p>Total no. = 1</p>	<p>6</p> <p> = Steel</p> <p>Total no. = 2</p>
<p>7</p> <p> = Steel</p> <p>Total no. = 1</p>	<p>8</p> <p> = Fibre</p> <p>Total no. = 1</p>	<p>9</p> <p> = Al.</p> <p>Total no. = 1</p>	<p>10</p> <p> = Al.</p> <p>Total no. = 1</p>	<p>12</p> <p> = Al.</p> <p>Total no. = 1</p>	<p>13</p> <p> = Steel</p> <p>Total no. = 1</p>
<p>14</p> <p> = PTFE</p> <p>Total no. = 1</p>	<p>15</p> <p> = Steel</p> <p>Total no. = 1</p>	<p>16</p> <p> = PTFE</p> <p>Total no. = 1</p>	<p>17</p> <p> = PTFE</p> <p>Total no. = 1</p>	<p>18</p> <p> = PTFE</p> <p>Total no. = 1</p>	

ICS, size 100 / ICLX, size 100

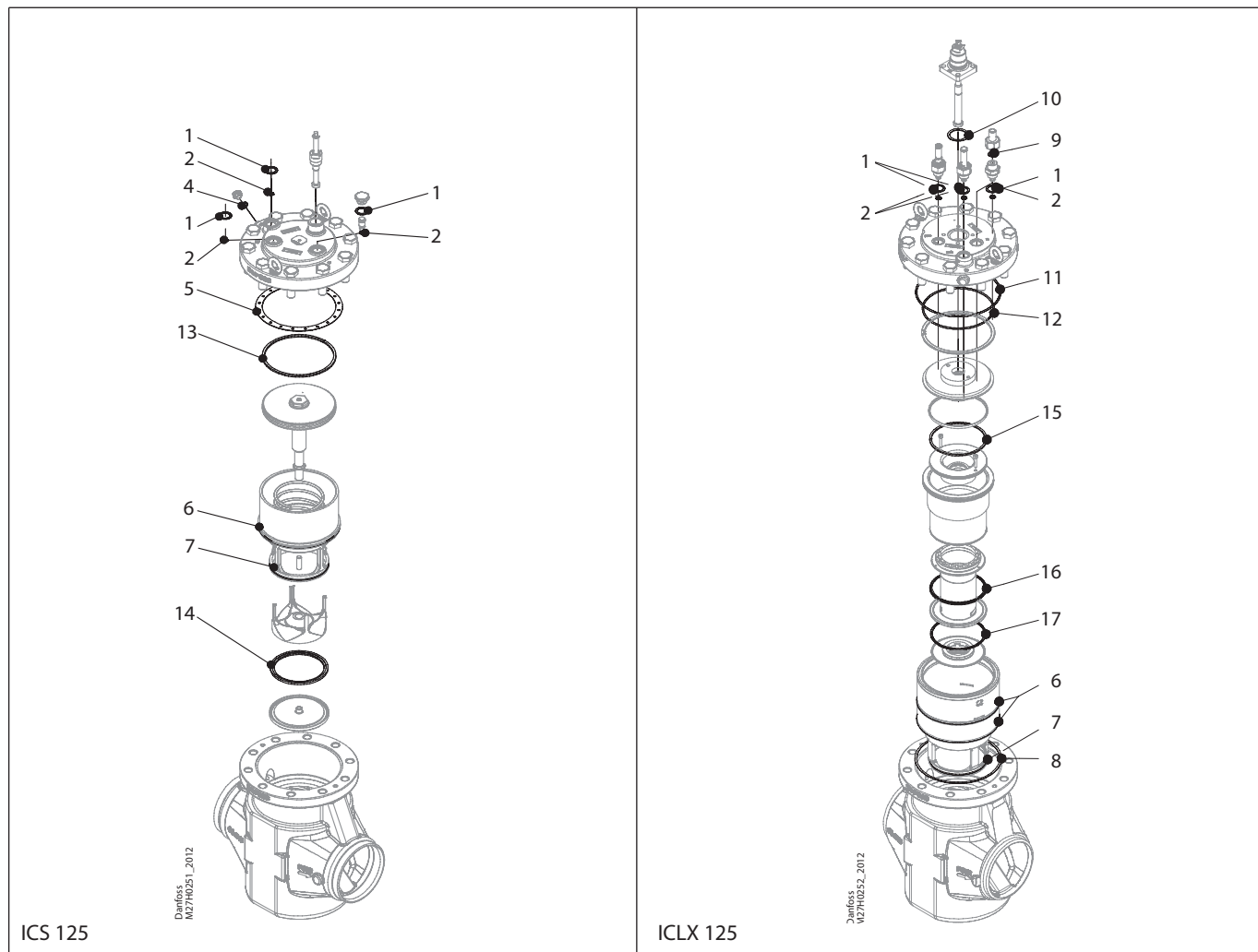
Repair kit | Code number 027H7192



<p>1</p> <p> = Fibre</p> <p> <p>Total no. = 3</p> </p>	<p>2</p> <p> = Alu.</p> <p> <p>Total no. = 3</p> </p>	<p>4</p> <p> = Alu.</p> <p> <p>Total no. = 1</p> </p>	<p>5</p> <p> = Fibre</p> <p> <p>Total no. = 1</p> </p>	<p>6</p> <p> = Alu.</p> <p> <p>Total no. = 2</p> </p>	<p>7</p> <p> = Alu.</p> <p> <p>Total no. = 1</p> </p>
<p>8</p> <p> = Fibre</p> <p> <p>Total no. = 1</p> </p>	<p>9</p> <p> = Alu.</p> <p> <p>Total no. = 1</p> </p>	<p>10</p> <p> = Fibre</p> <p> <p>Total no. = 1</p> </p>	<p>11</p> <p> = Alu.</p> <p> <p>Total no. = 1</p> </p>	<p>12</p> <p> = Alu.</p> <p> <p>Total no. = 1</p> </p>	<p>13</p> <p> = Steel</p> <p> <p>Total no. = 1</p> </p>
<p>14</p> <p> = PTFE</p> <p> <p>Total no. = 1</p> </p>	<p>15</p> <p> = Steel</p> <p> <p>Total no. = 1</p> </p>	<p>16</p> <p> = PTFE</p> <p> <p>Total no. = 1</p> </p>	<p>17</p> <p> = PTFE</p> <p> <p>Total no. = 1</p> </p>		

ICS, size 125 / ICLX, size 125

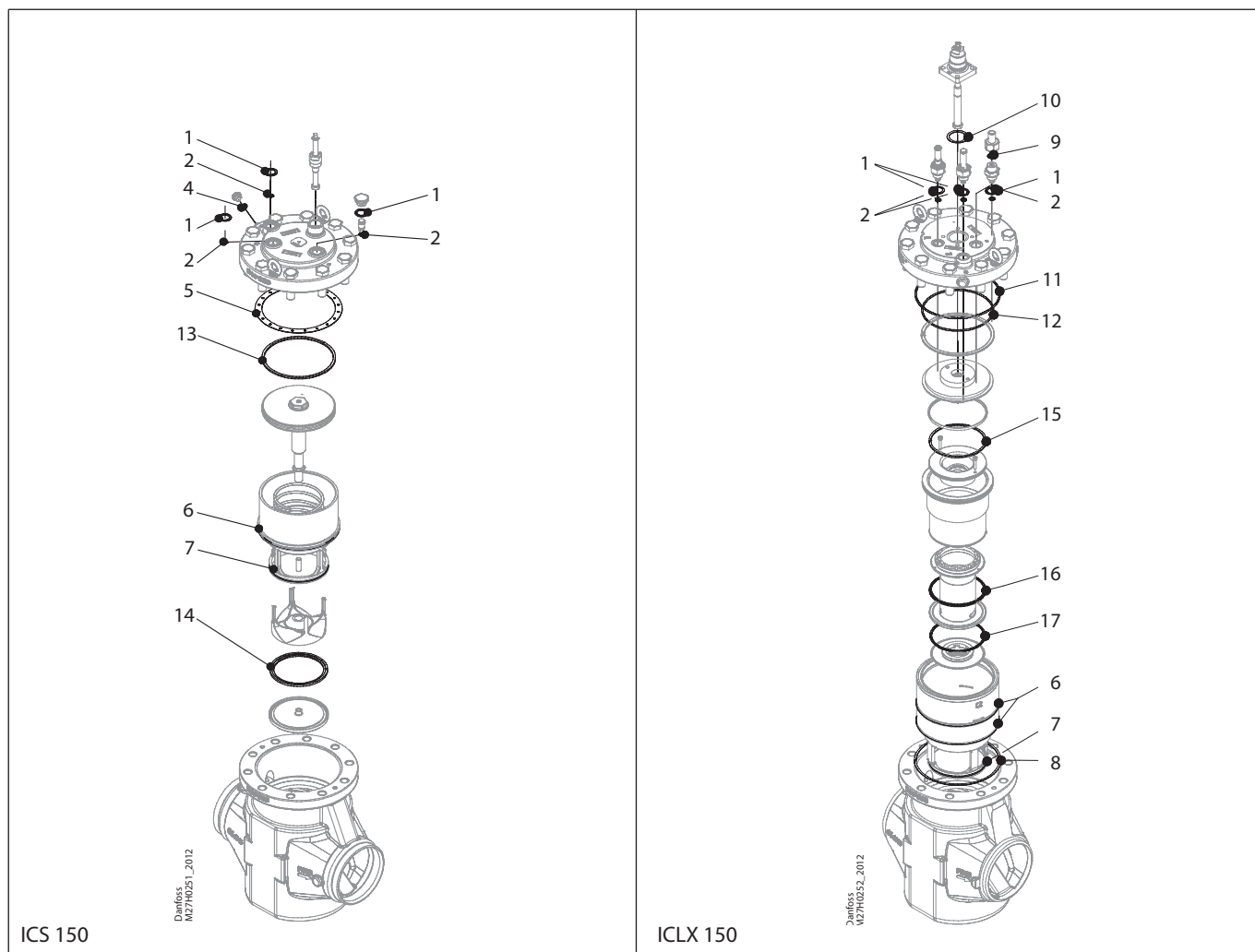
Repair kit | Code number 027H7204



<p>1</p> <p> = Fibre</p> <p></p> <p>Total no. = 3</p>	<p>2</p> <p> = Alu.</p> <p></p> <p>Total no. = 3</p>	<p>4</p> <p> = Alu.</p> <p></p> <p>Total no. = 1</p>	<p>5</p> <p> = Fibre</p> <p></p> <p>Total no. = 1</p>	<p>6</p> <p> = Fibre</p> <p></p> <p>Total no. = 2</p>	<p>7</p> <p> = Alu.</p> <p></p> <p>Total no. = 1</p>
<p>8</p> <p> = Fibre</p> <p></p> <p>Total no. = 1</p>	<p>9</p> <p> = Alu.</p> <p></p> <p>Total no. = 1</p>	<p>10</p> <p> = Fibre</p> <p></p> <p>Total no. = 1</p>	<p>11</p> <p> = Alu.</p> <p></p> <p>Total no. = 1</p>	<p>12</p> <p> = Fibre</p> <p></p> <p>Total no. = 1</p>	<p>13</p> <p> = Steel</p> <p></p> <p>Total no. = 1</p>
<p>14</p> <p> = PTFE</p> <p></p> <p>Total no. = 1</p>	<p>15</p> <p> = Steel</p> <p></p> <p>Total no. = 1</p>	<p>16</p> <p> = PTFE</p> <p></p> <p>Total no. = 1</p>	<p>17</p> <p> = PTFE</p> <p></p> <p>Total no. = 1</p>		

ICS, size 150 / ICLX, size 150

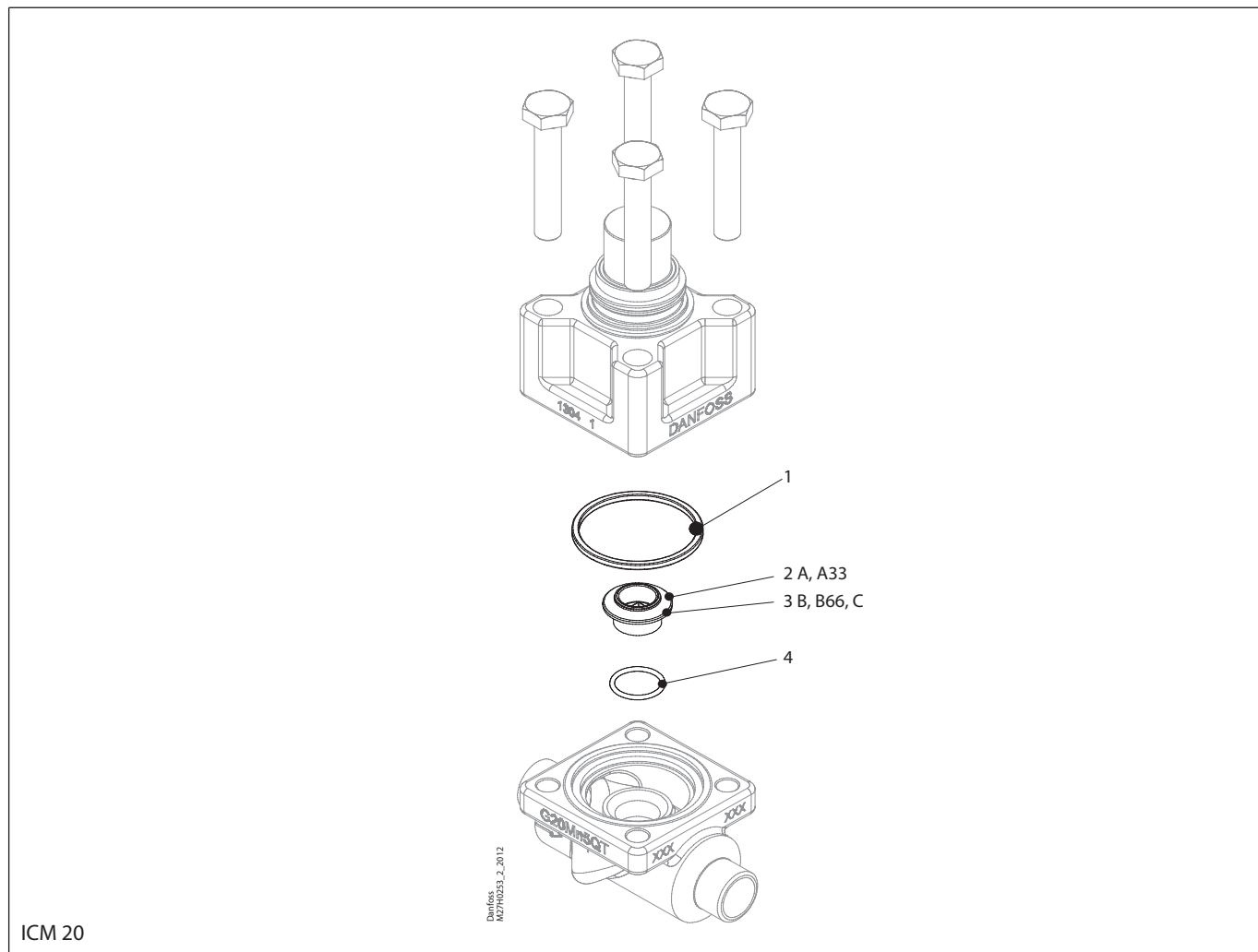
Repair kit | Code number 027H7197



<p>1</p> <p> = Fibre</p> <p></p> <p>Total no. = 3</p>	<p>2</p> <p> = Al.</p> <p></p> <p>Total no. = 3</p>	<p>4</p> <p> = Al.</p> <p></p> <p>Total no. = 1</p>	<p>5</p> <p> = Fibre</p> <p></p> <p>Total no. = 1</p>	<p>6</p> <p> = Al.</p> <p></p> <p>Total no. = 2</p>	<p>7</p> <p> = Steel</p> <p></p> <p>Total no. = 1</p>
<p>8</p> <p> = Fibre</p> <p></p> <p>Total no. = 1</p>	<p>9</p> <p> = Al.</p> <p></p> <p>Total no. = 1</p>	<p>10</p> <p> = Fibre</p> <p></p> <p>Total no. = 1</p>	<p>11</p> <p> = Al.</p> <p></p> <p>Total no. = 1</p>	<p>12</p> <p> = Al.</p> <p></p> <p>Total no. = 1</p>	<p>13</p> <p> = Steel</p> <p></p> <p>Total no. = 1</p>
<p>14</p> <p> = PTFE</p> <p></p> <p>Total no. = 1</p>	<p>15</p> <p> = Steel</p> <p></p> <p>Total no. = 1</p>	<p>16</p> <p> = PTFE</p> <p></p> <p>Total no. = 1</p>	<p>17</p> <p> = PTFE</p> <p></p> <p>Total no. = 1</p>		

ICM, size 20 (20A / 20A-33 / 20B / 20B-66 / 20C)

Repair kit | Code number 027H1190

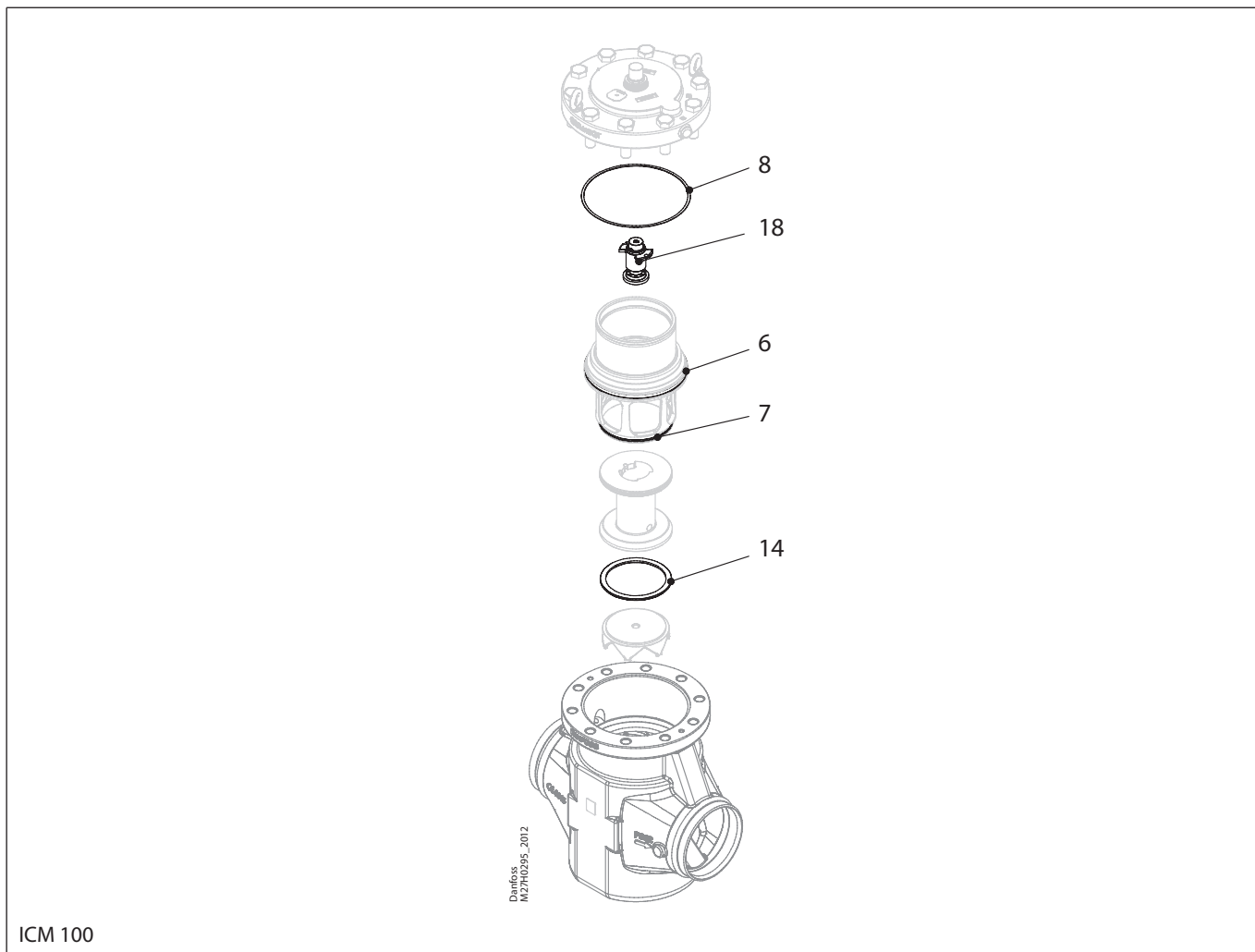


ICM 20

<p>1</p> <p> = Rubber</p> <p>Ø24.9 mm Ø19.93 mm</p> <p>Total no. = 1</p>	<p>2</p> <p>Ø5.5 mm Ø2.2 mm</p> <p>Total no. = 1</p>	<p>3</p> <p>Ø14 mm Ø5.5 mm</p> <p>Total no. = 1</p>	<p>4</p> <p>Ø17 mm Ø6.7 mm</p> <p>Total no. = 1</p>	
---	---	--	--	--

ICM, size 100

Repair kit | Code number 027H7135

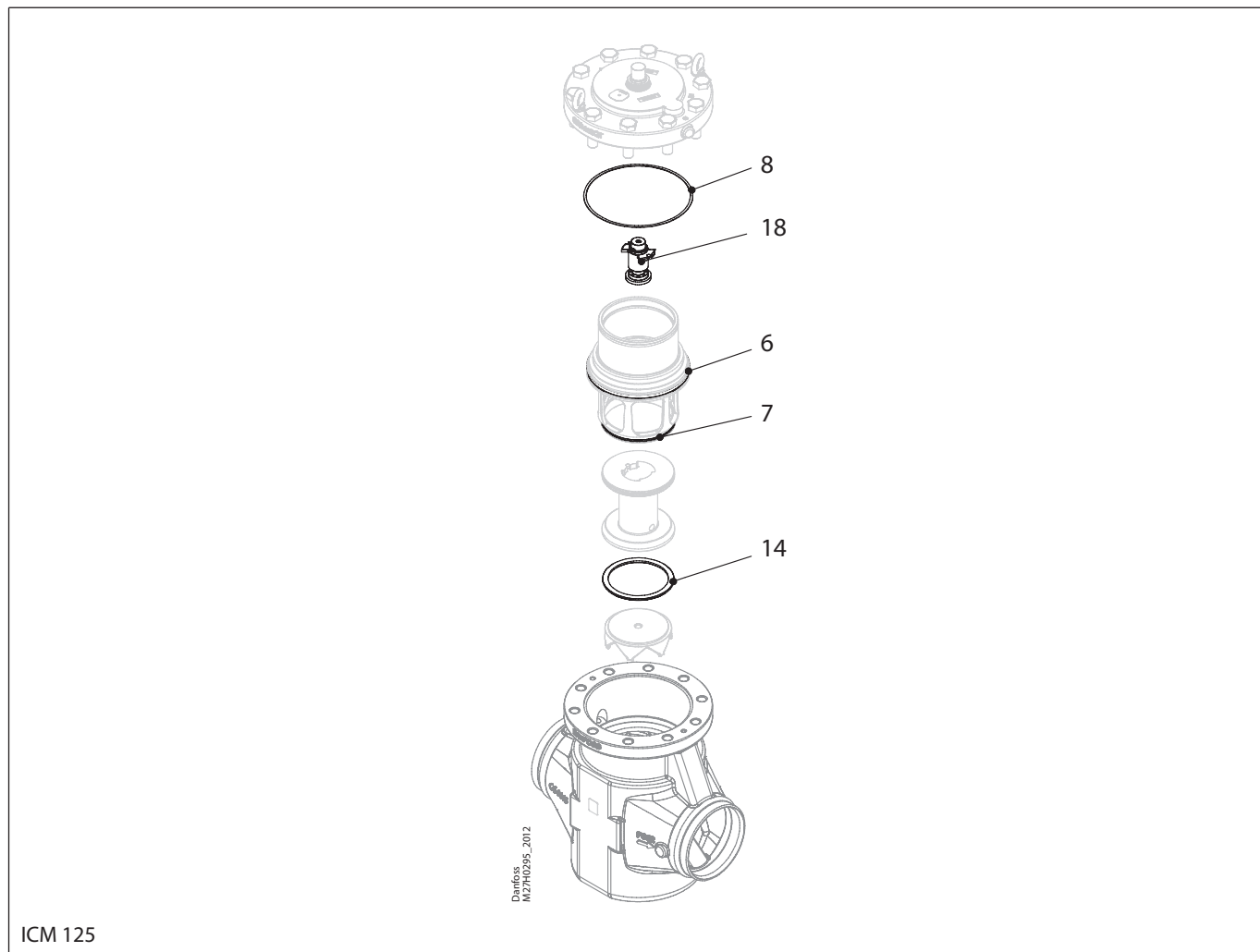


ICM 100

<p>6</p> <p>Total no. = 1</p>	<p>7</p> <p>Total no. = 1</p>	<p>8</p> <p>Total no. = 1</p>	<p>14</p> <p>Total no. = 1</p>	<p>18</p> <p>Total no. = 1</p>
--------------------------------------	--------------------------------------	--------------------------------------	---------------------------------------	---------------------------------------

ICM, size 125

Repair kit | Code number 027H7155

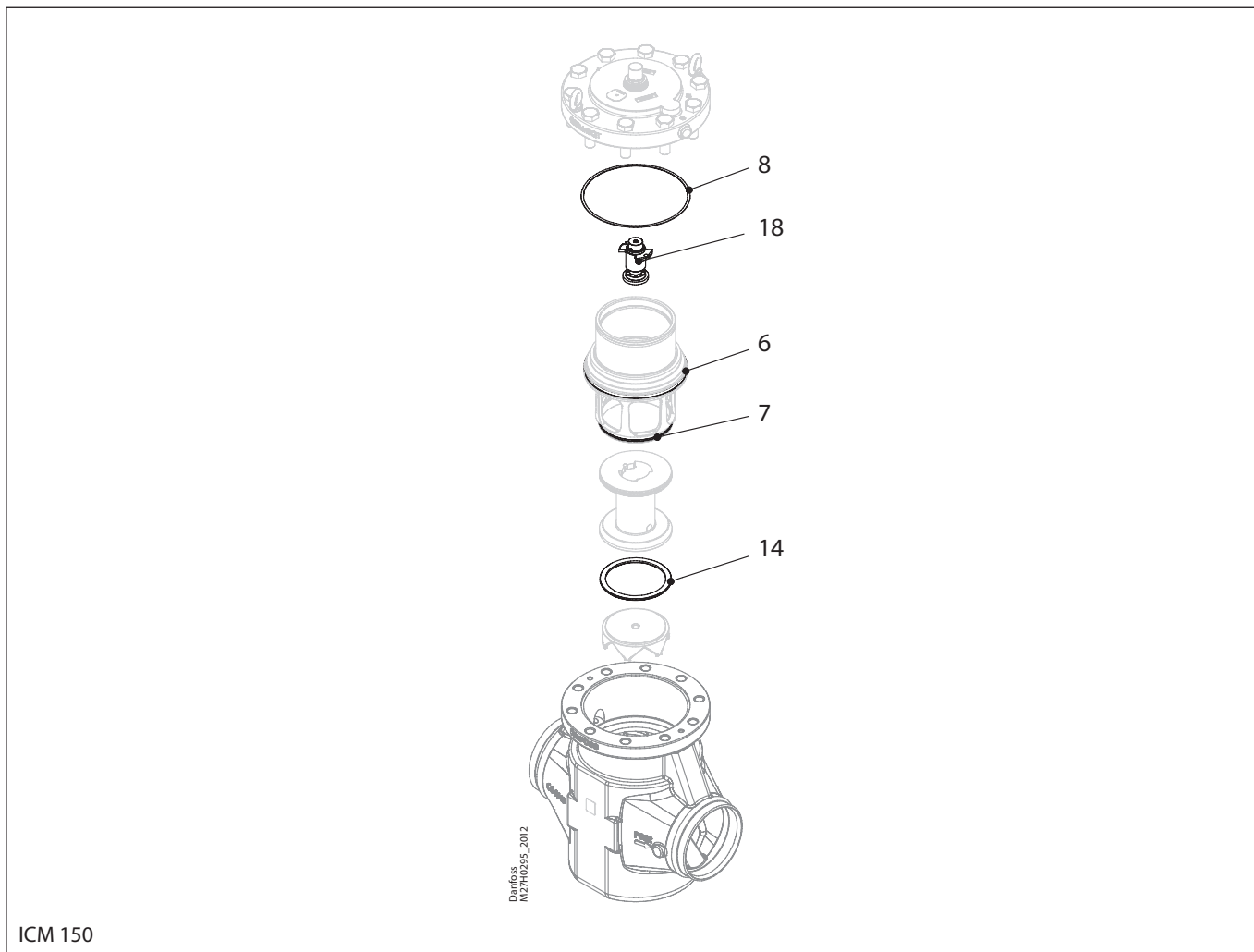


ICM 125

<p>6</p> <p>Total no. = 1</p>	<p>7</p> <p>Total no. = 1</p>	<p>8</p> <p>Total no. = 1</p>	<p>14</p> <p>Total no. = 1</p>	<p>18</p> <p>Total no. = 1</p>
--------------------------------------	--------------------------------------	--------------------------------------	---------------------------------------	---------------------------------------

ICM, size 150

Repair kit | Code number 027H7175

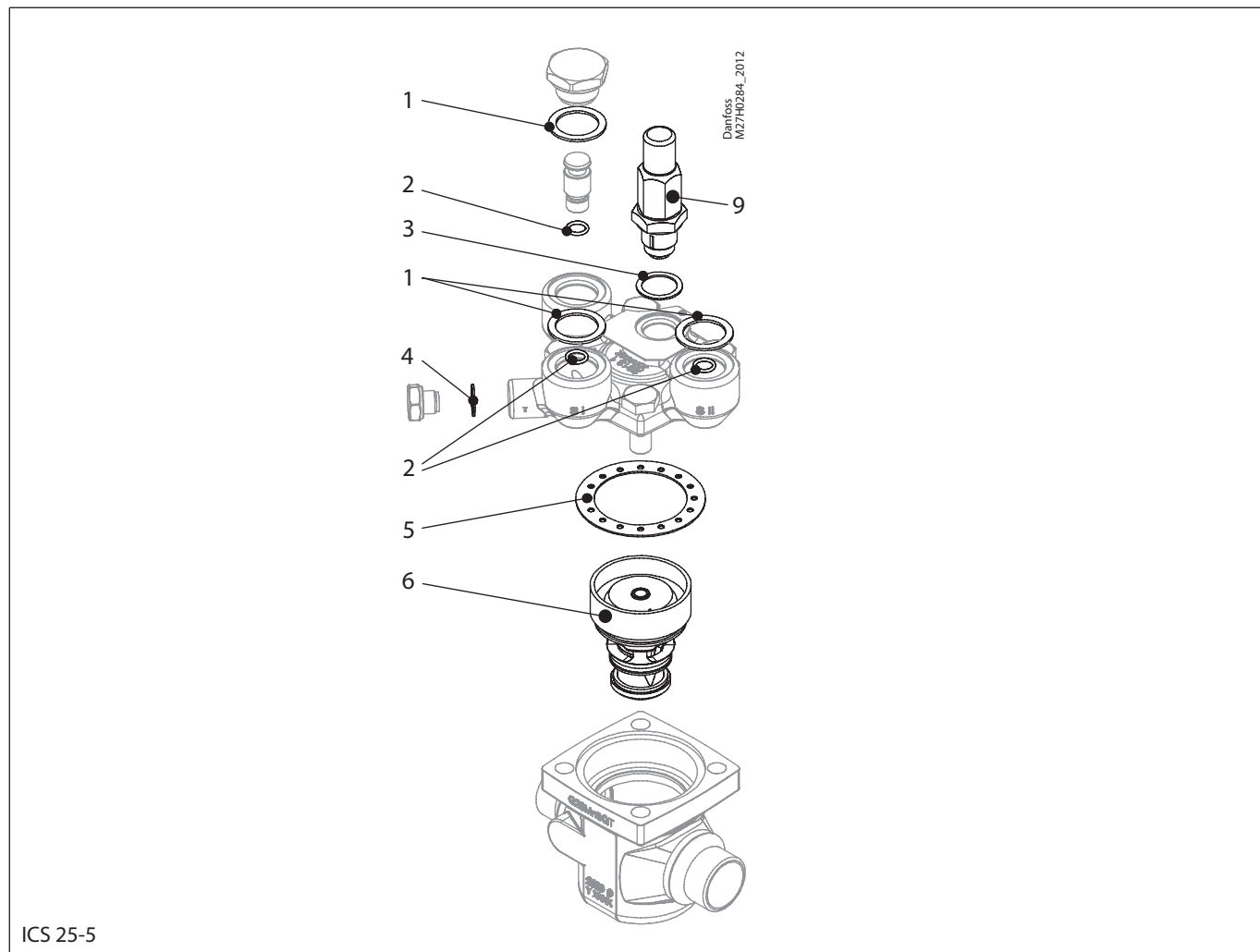


ICM 150

<p>6</p> <p>Total no. = 1</p>	<p>7</p> <p>Total no. = 1</p>	<p>8</p> <p>Total no. = 1</p>	<p>14</p> <p>Total no. = 1</p>	<p>18</p> <p>Total no. = 1</p>
--------------------------------------	--------------------------------------	--------------------------------------	---------------------------------------	---------------------------------------

ICS, size 25-5

Overhaul kit | Code number 027H2225

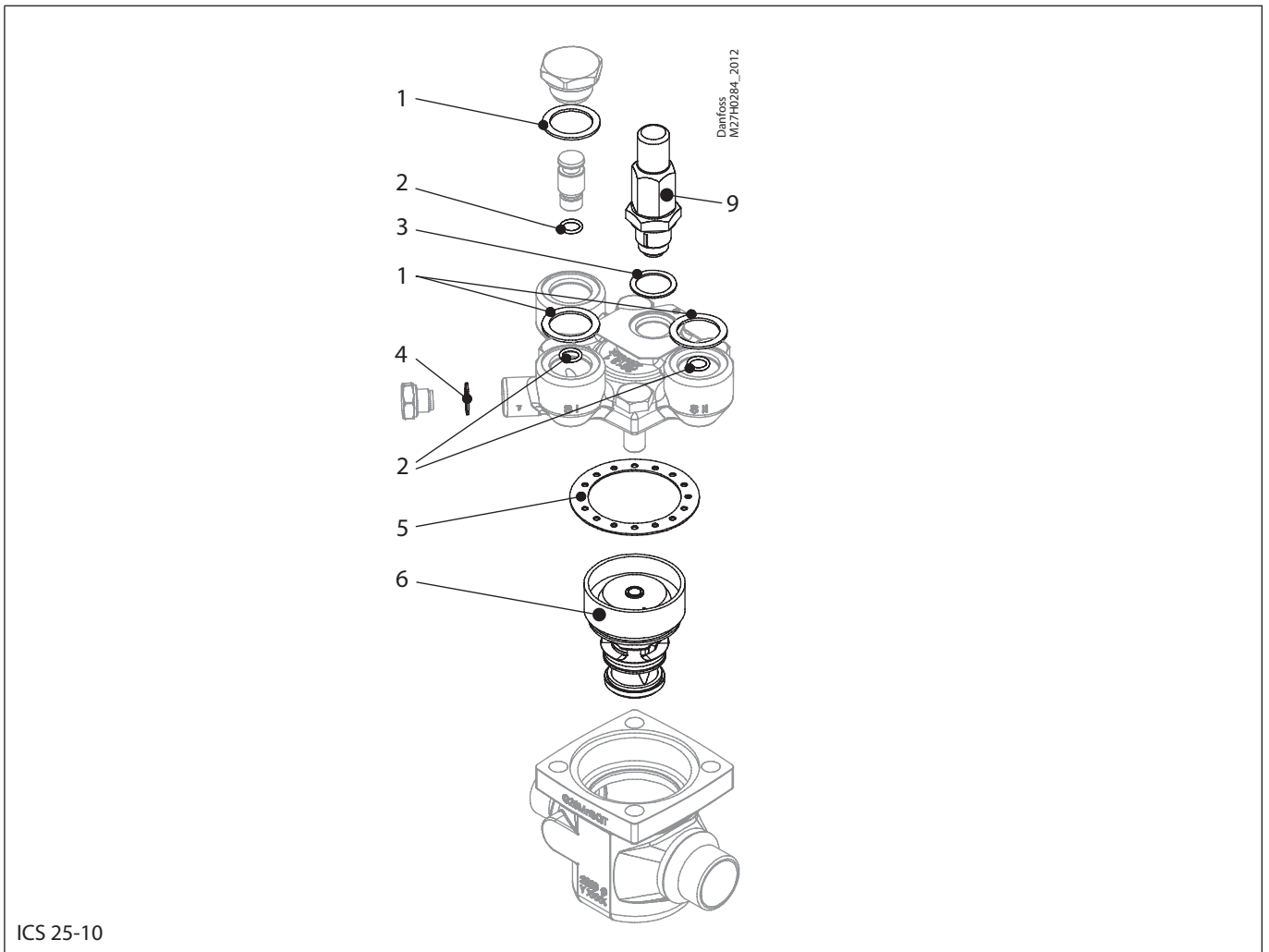


ICS 25-5

<p>1</p> <p> = Fibre</p> <p>Total no. = 3</p>	<p>2</p> <p> = Fibre</p> <p>Total no. = 3</p>	<p>3</p> <p> = Alu.</p> <p>Total no. = 1</p>	<p>4</p> <p> = Alu.</p> <p>Total no. = 1</p>	<p>5</p> <p> = Fibre</p> <p>Total no. = 1</p>
<p>6</p> <p>Total no. = 1</p>		<p>9</p> <p>Total no. = 1</p>		

ICS, size 25-10

Overhaul kit | Code number 027H2138

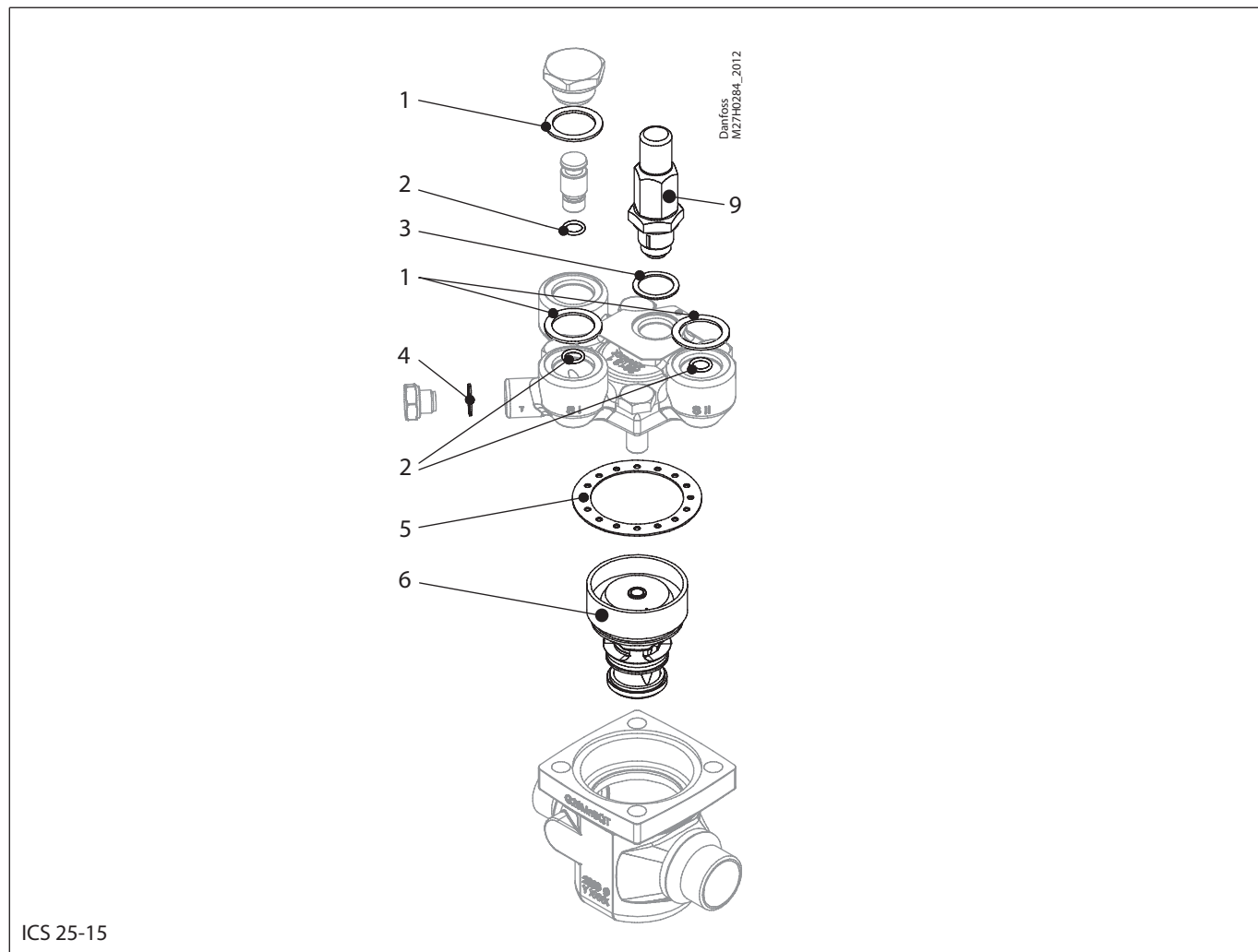


ICS 25-10

<p>1</p> <p> = Fibre</p> <p>Total no. = 3</p>	<p>2</p> <p></p> <p>Total no. = 3</p>	<p>3</p> <p> = Alu.</p> <p>Total no. = 1</p>	<p>4</p> <p> = Alu.</p> <p>Total no. = 1</p>	<p>5</p> <p> = Fibre</p> <p>Total no. = 1</p>
<p>6</p> <p>Total no. = 1</p>		<p>9</p> <p>Total no. = 1</p>		

ICS, size 25-15

Overhaul kit | Code number 027H3019

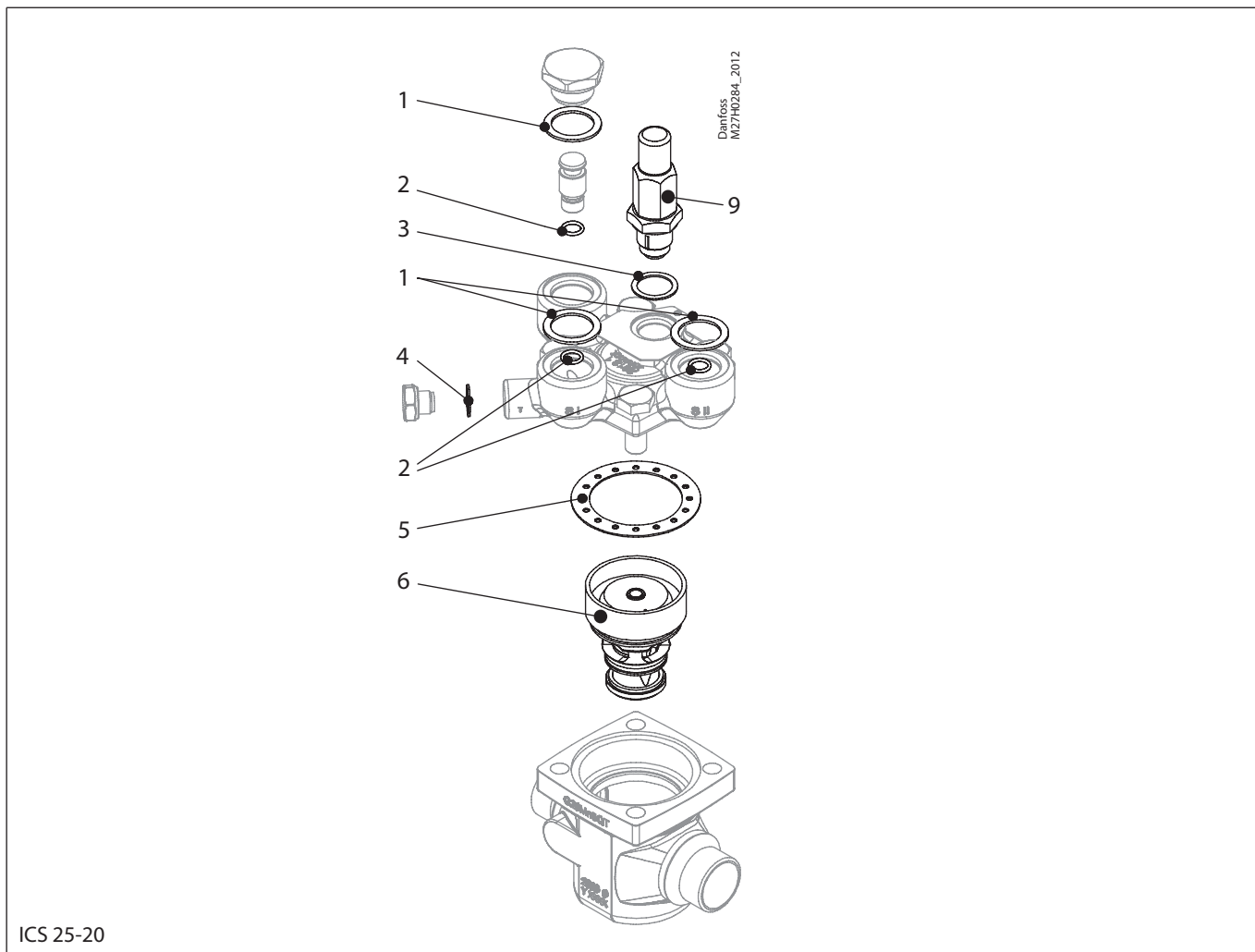


ICS 25-15

<p>1</p> <p> = Fibre</p> <p>Total no. = 3</p>	<p>2</p> <p></p> <p>Total no. = 3</p>	<p>3</p> <p> = Alu.</p> <p>Total no. = 1</p>	<p>4</p> <p> = Alu.</p> <p>Total no. = 1</p>	<p>5</p> <p> = Fibre</p> <p>Total no. = 1</p>
<p>6</p> <p>Total no. = 1</p>		<p>9</p> <p>Total no. = 1</p>		

ICS, size 25-20

Overhaul kit | Code number 027H3043

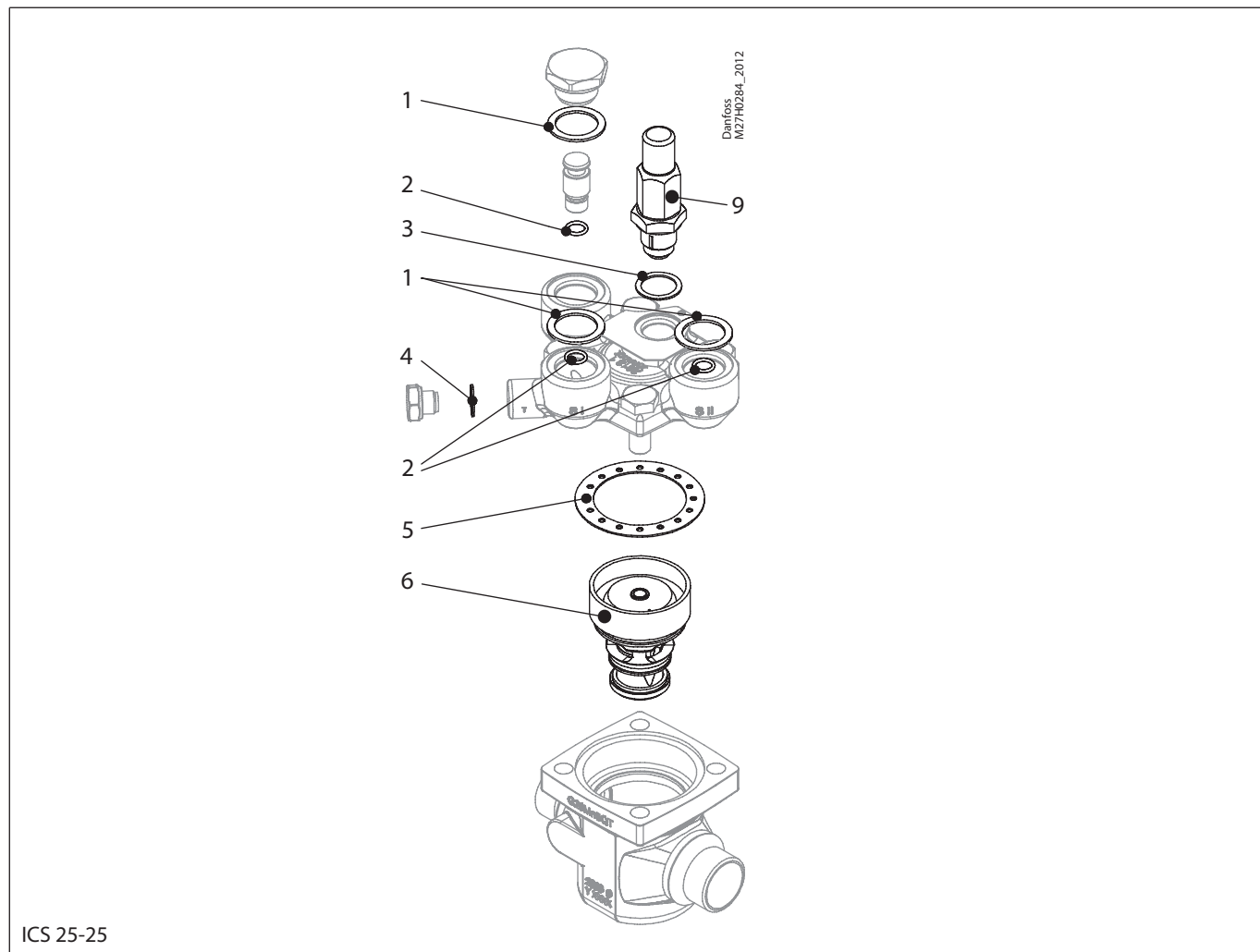


ICS 25-20

<p>1</p> <p> = Fibre</p> <p>Ø32.5 mm Ø1.28"</p> <p>Total no. = 3</p>	<p>2</p> <p></p> <p>Ø9 mm Ø0.36"</p> <p>Total no. = 3</p>	<p>3</p> <p> = Alu.</p> <p>Ø26 mm Ø1.02"</p> <p>Total no. = 1</p>	<p>4</p> <p> = Alu.</p> <p>Ø18 mm Ø0.7"</p> <p>Total no. = 1</p>	<p>5</p> <p> = Fibre</p> <p>Ø73 mm Ø2.87"</p> <p>Total no. = 1</p>
<p>6</p> <p>Ø57 mm Ø2.24"</p> <p>8 mm 0.315"</p> <p>Total no. = 1</p>		<p>9</p> <p>Total no. = 1</p>		

ICS, size 25-25

Overhaul kit | Code number 027H3044

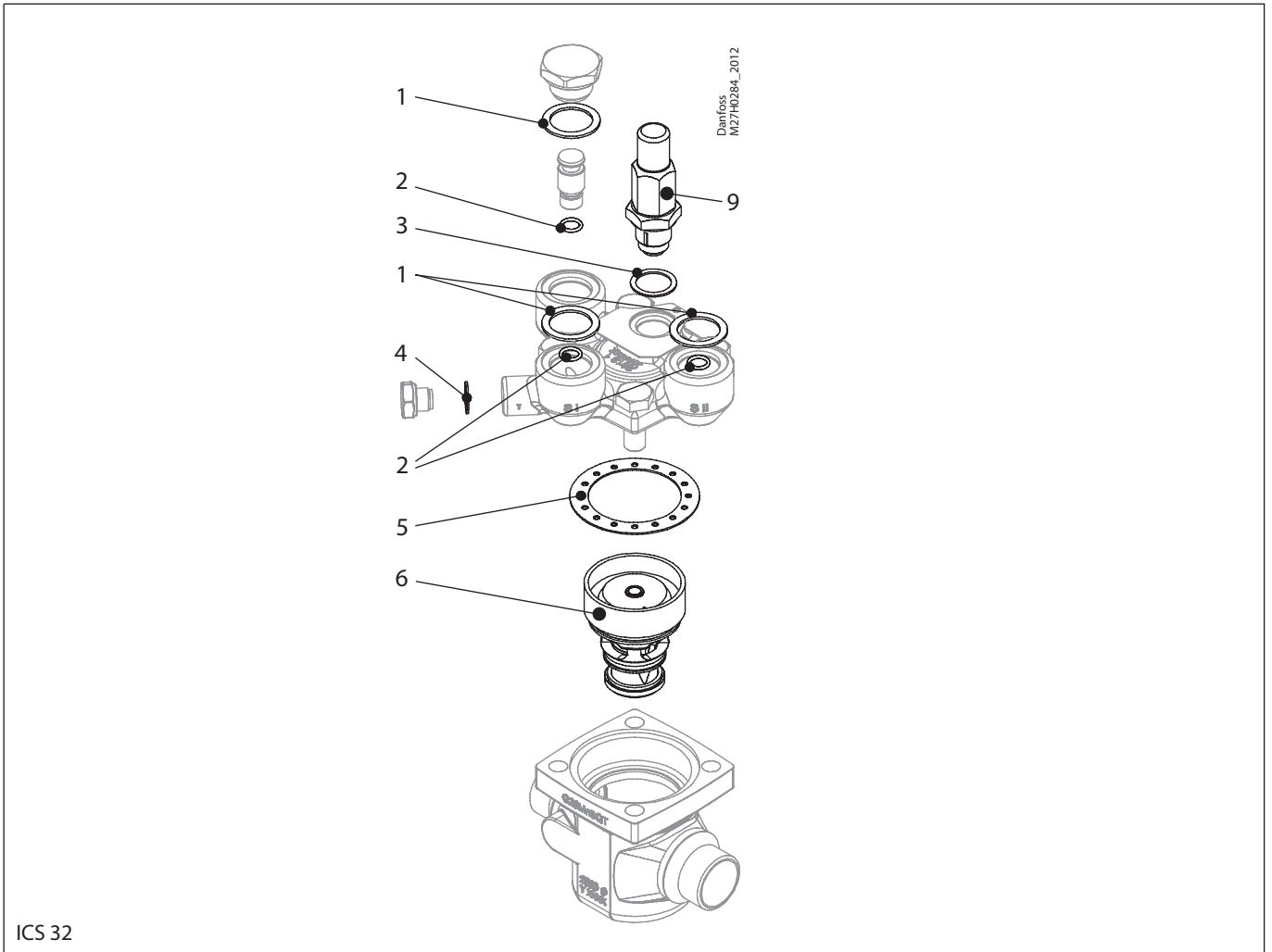


ICS 25-25

<p>1</p> <p> = Fibre</p> <p>Total no. = 3</p>	<p>2</p> <p> = Al.</p> <p>Total no. = 3</p>	<p>3</p> <p> = Al.</p> <p>Total no. = 1</p>	<p>4</p> <p> = Al.</p> <p>Total no. = 1</p>	<p>5</p> <p> = Fibre</p> <p>Total no. = 1</p>
<p>6</p> <p>Total no. = 1</p>		<p>9</p> <p>Total no. = 1</p>		

ICS, size 32

Overhaul kit | Code number 027H3018

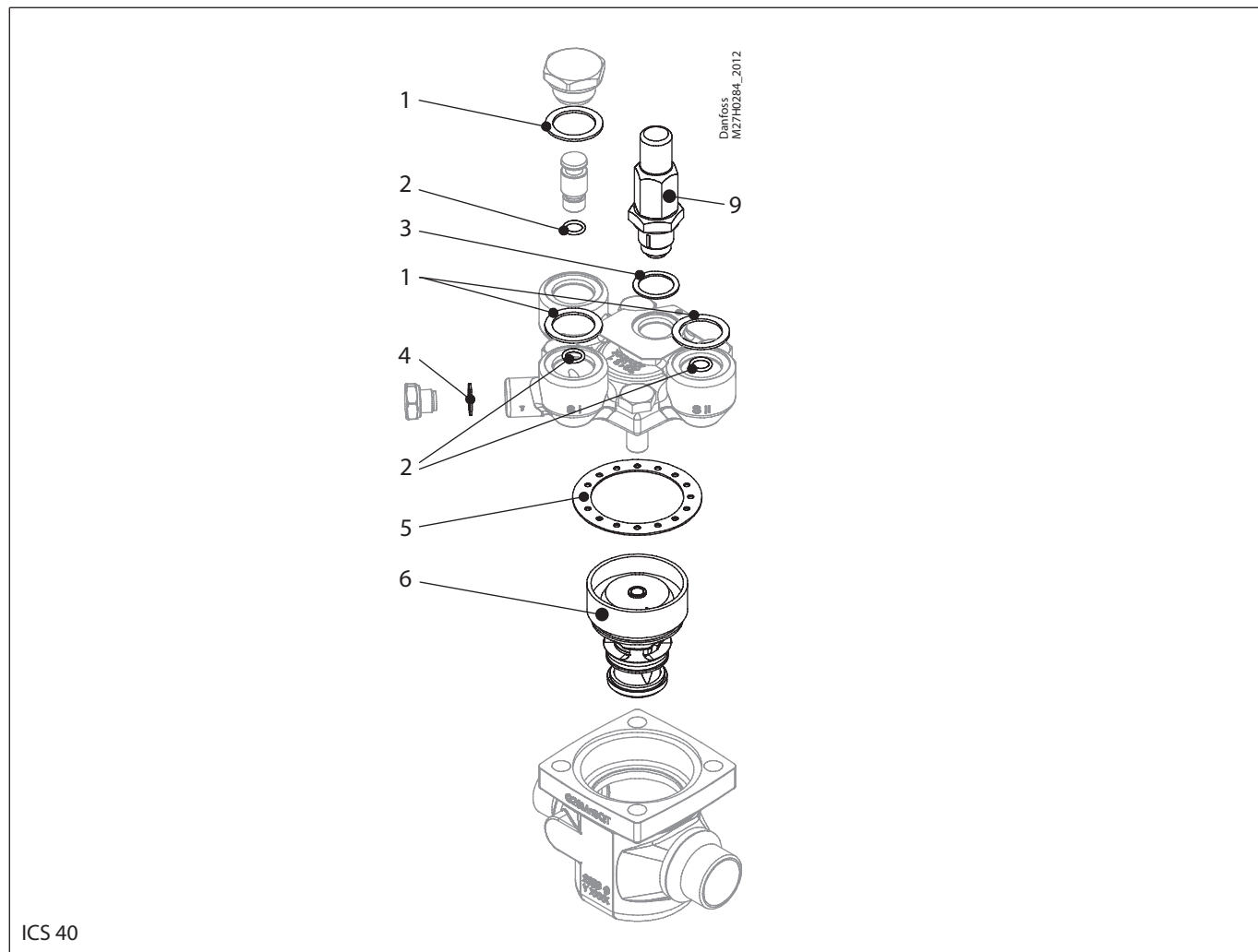


ICS 32

<p>1</p> <p> = Fibre</p> <p>Total no. = 3</p>	<p>2</p> <p> = Fibre</p> <p>Total no. = 3</p>	<p>3</p> <p> = Alu.</p> <p>Total no. = 1</p>	<p>4</p> <p> = Alu.</p> <p>Total no. = 1</p>	<p>5</p> <p> = Fibre</p> <p>Total no. = 1</p>
<p>6</p> <p>Total no. = 1</p>	<p>9</p> <p>Total no. = 1</p>			

ICS, size 40

Overhaul kit | Code number 027H4016

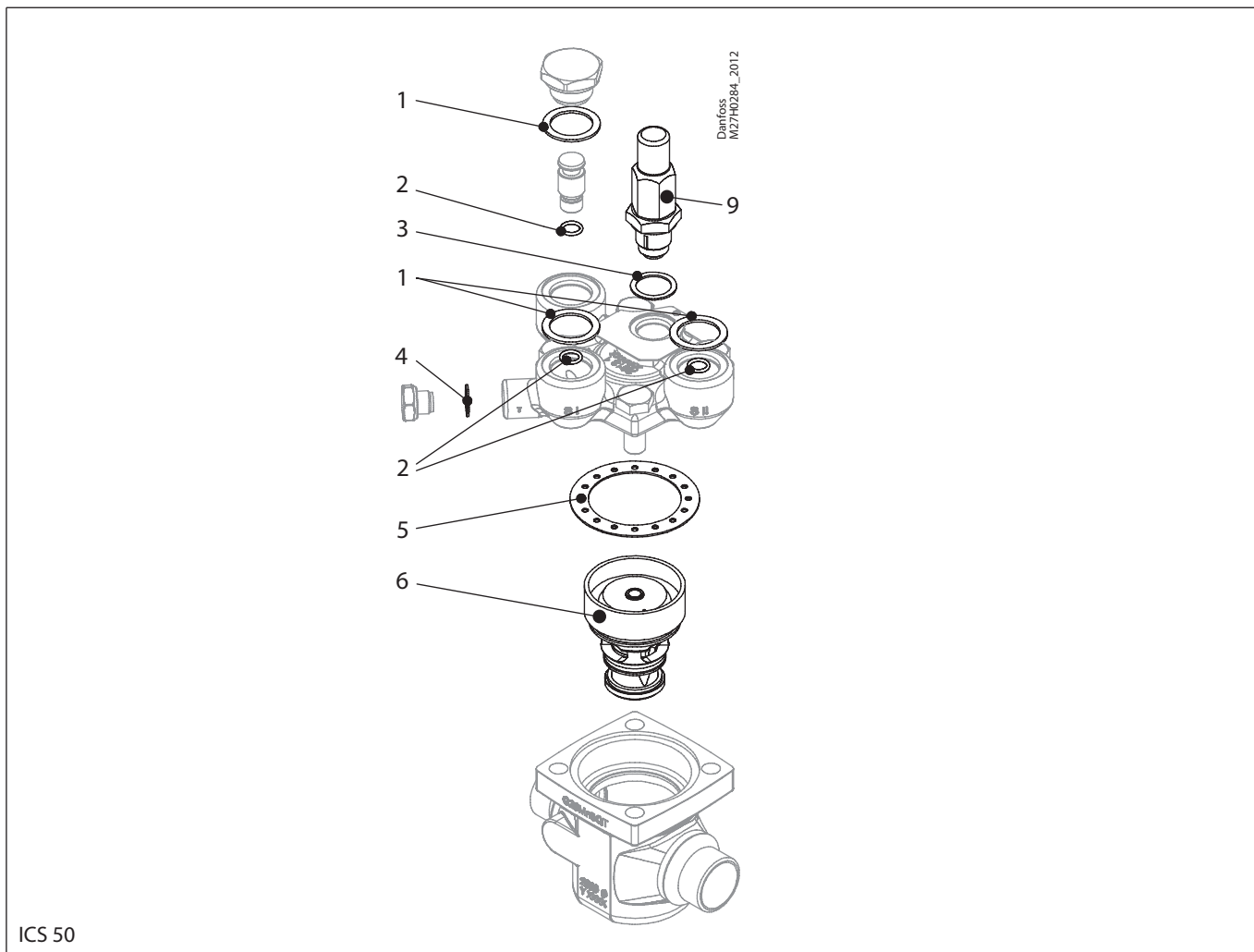


ICS 40

<p>1</p> <p> = Fibre</p> <p>Total no. = 3</p>	<p>2</p> <p></p> <p>Total no. = 3</p>	<p>3</p> <p> = Alu.</p> <p>Total no. = 1</p>	<p>4</p> <p> = Alu.</p> <p>Total no. = 1</p>	<p>5</p> <p> = Fibre</p> <p>Total no. = 1</p>
<p>6</p> <p>Total no. = 1</p>	<p>9</p> <p>Total no. = 1</p>			

ICS, size 50

Overhaul kit | Code number 027H5016

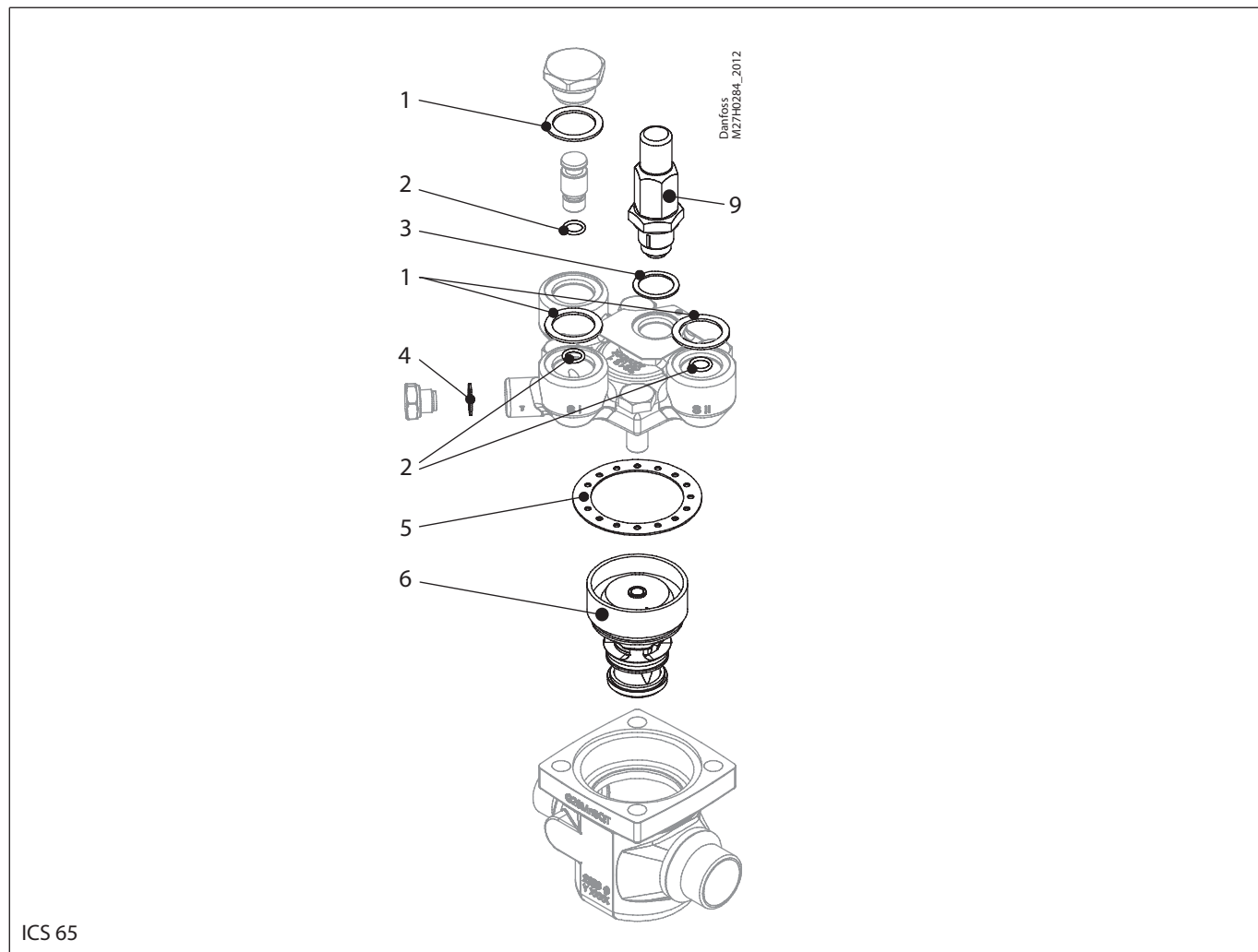


ICS 50

<p>1</p> <p> = Fibre</p> <p>Total no. = 3</p>	<p>2</p> <p> = Alu.</p> <p>Total no. = 3</p>	<p>3</p> <p> = Fibre</p> <p>Total no. = 1</p>	<p>4</p> <p> = Alu.</p> <p>Total no. = 1</p>	<p>5</p> <p> = Fibre</p> <p>Total no. = 1</p>
<p>6</p> <p>Total no. = 1</p>	<p>9</p> <p>Total no. = 1</p>			

ICS, size 65

Overhaul kit | Code number 027H6018

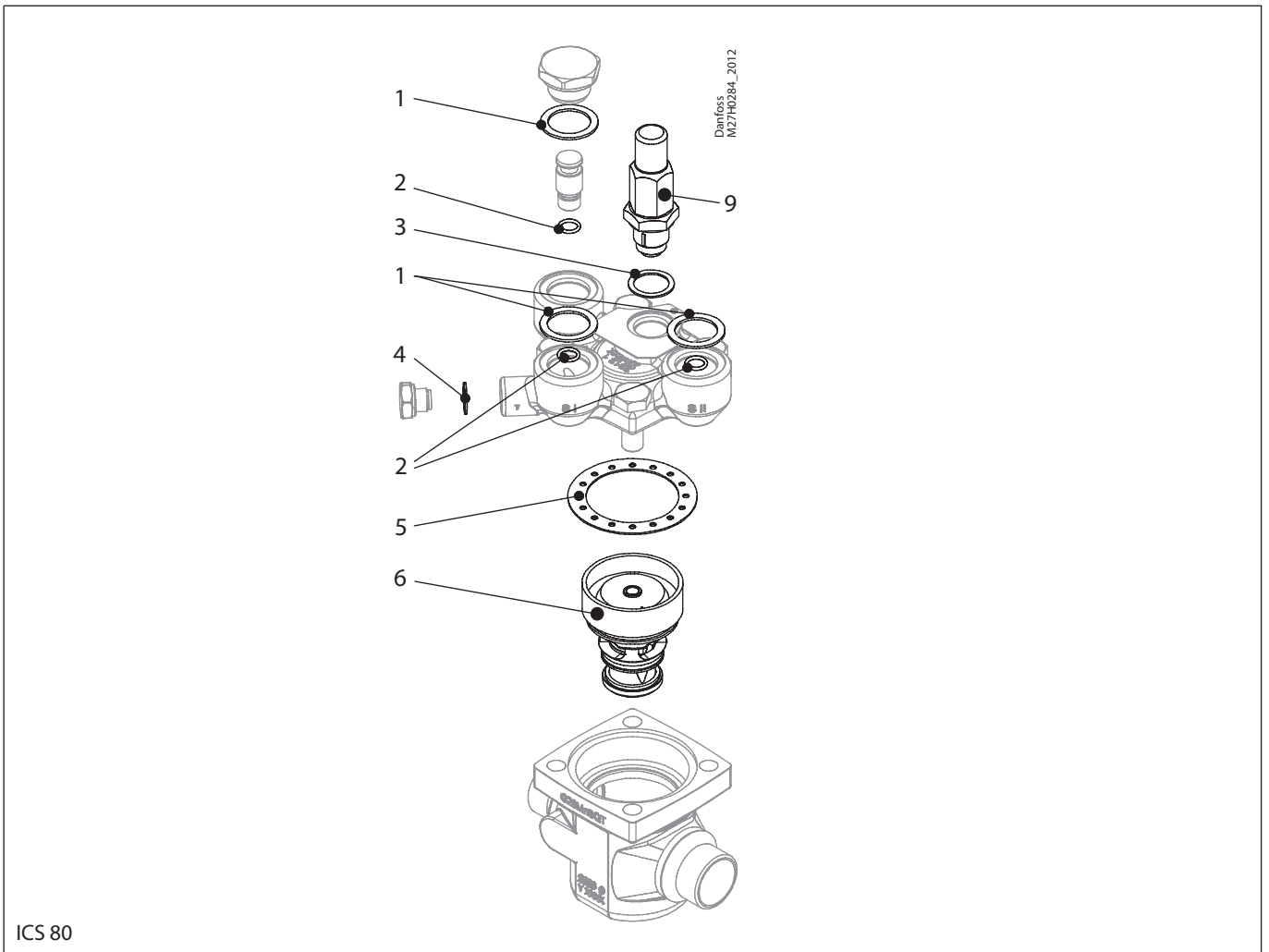


ICS 65

<p>1</p> <p> = Fibre</p> <p>Total no. = 3</p>	<p>2</p> <p> = Alu.</p> <p>Total no. = 3</p>	<p>3</p> <p> = Alu.</p> <p>Total no. = 1</p>	<p>4</p> <p> = Alu.</p> <p>Total no. = 1</p>	<p>5</p> <p> = Fibre</p> <p>Total no. = 1</p>
<p>6</p> <p>Total no. = 1</p>	<p>9</p> <p>Total no. = 1</p>			

ICS, size 80

Overhaul kit | Code number 027H6028

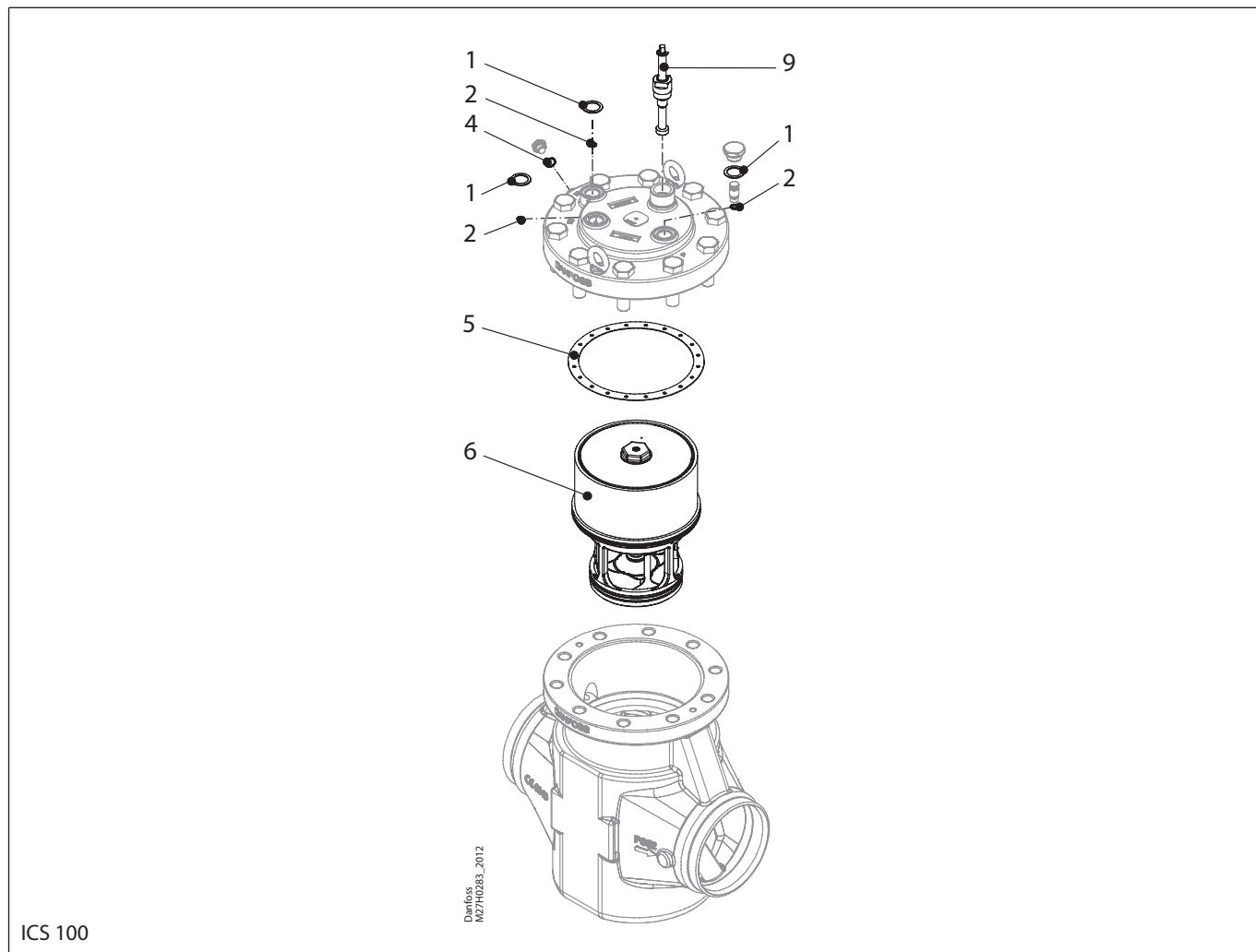


ICS 80

<p>1</p> <p> = Fibre</p> <p>Ø32.5 mm Ø1.28"</p> <p>Total no. = 3</p>	<p>2</p> <p></p> <p>Ø9 mm Ø0.36"</p> <p>Total no. = 3</p>	<p>3</p> <p> = Alu.</p> <p>Ø26 mm Ø1.02"</p> <p>Total no. = 1</p>	<p>4</p> <p> = Alu.</p> <p>Ø18 mm Ø0.7"</p> <p>Total no. = 1</p>	<p>5</p> <p> = Fibre</p> <p>Ø125 mm Ø4.92"</p> <p>Total no. = 1</p>
<p>6</p> <p>Ø109 mm Ø4.29"</p> <p>Total no. = 1</p>	<p>9</p> <p>Total no. = 1</p>			

ICS, size 100

Overhaul kit | Code number 027H7193

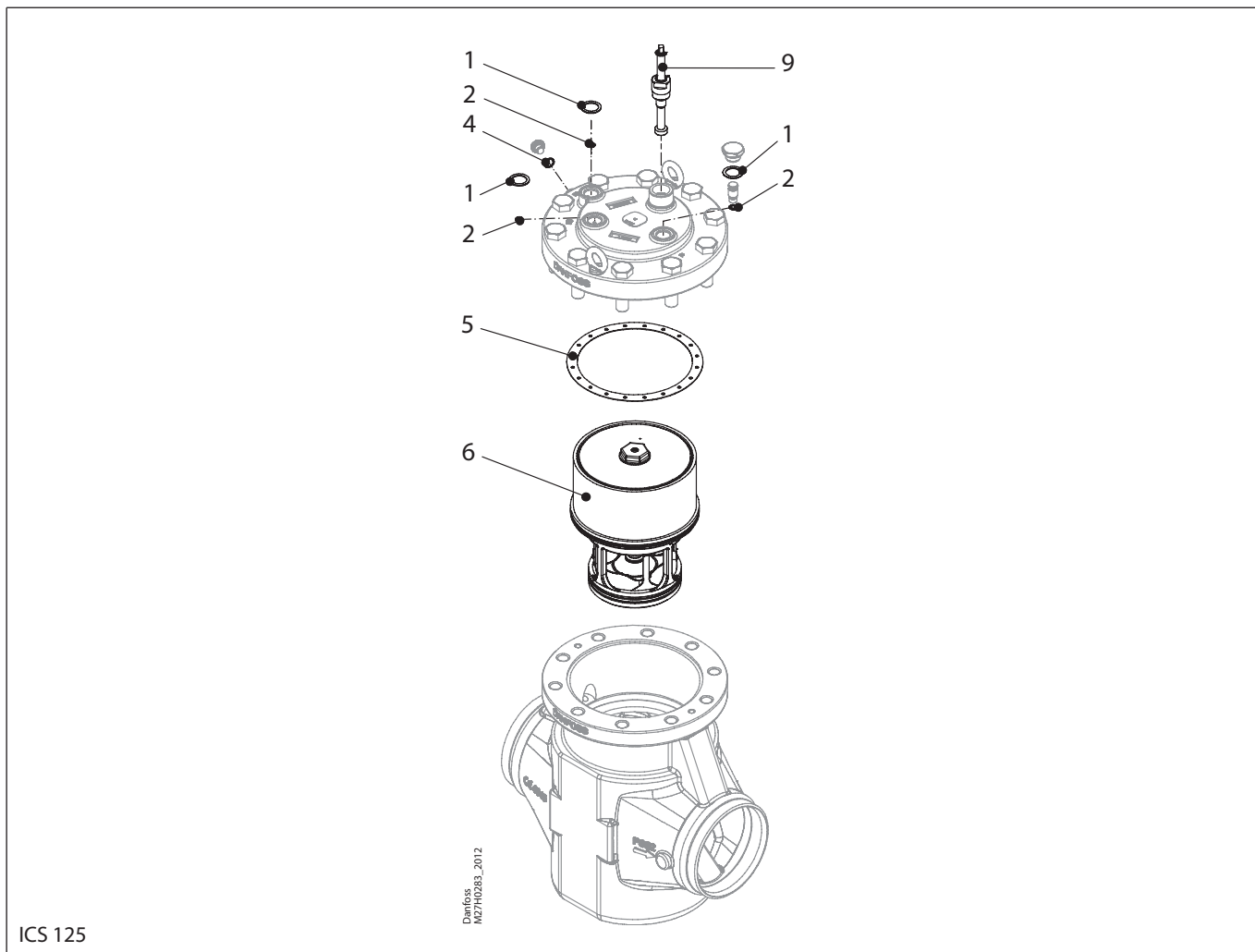


ICS 100

<p>1</p> <p> = Fibre</p> <p>Total no. = 3</p>	<p>2</p> <p> = O-ring</p> <p>Total no. = 3</p>	<p>4</p> <p> = Alu.</p> <p>Total no. = 1</p>	<p>5</p> <p> = Fibre</p> <p>Total no. = 1</p>	<p>6</p> <p>Total no. = 1</p>
<p>9</p> <p>Total no. = 1</p>				

ICS, size 125

Overhaul kit | Code number 027H7195

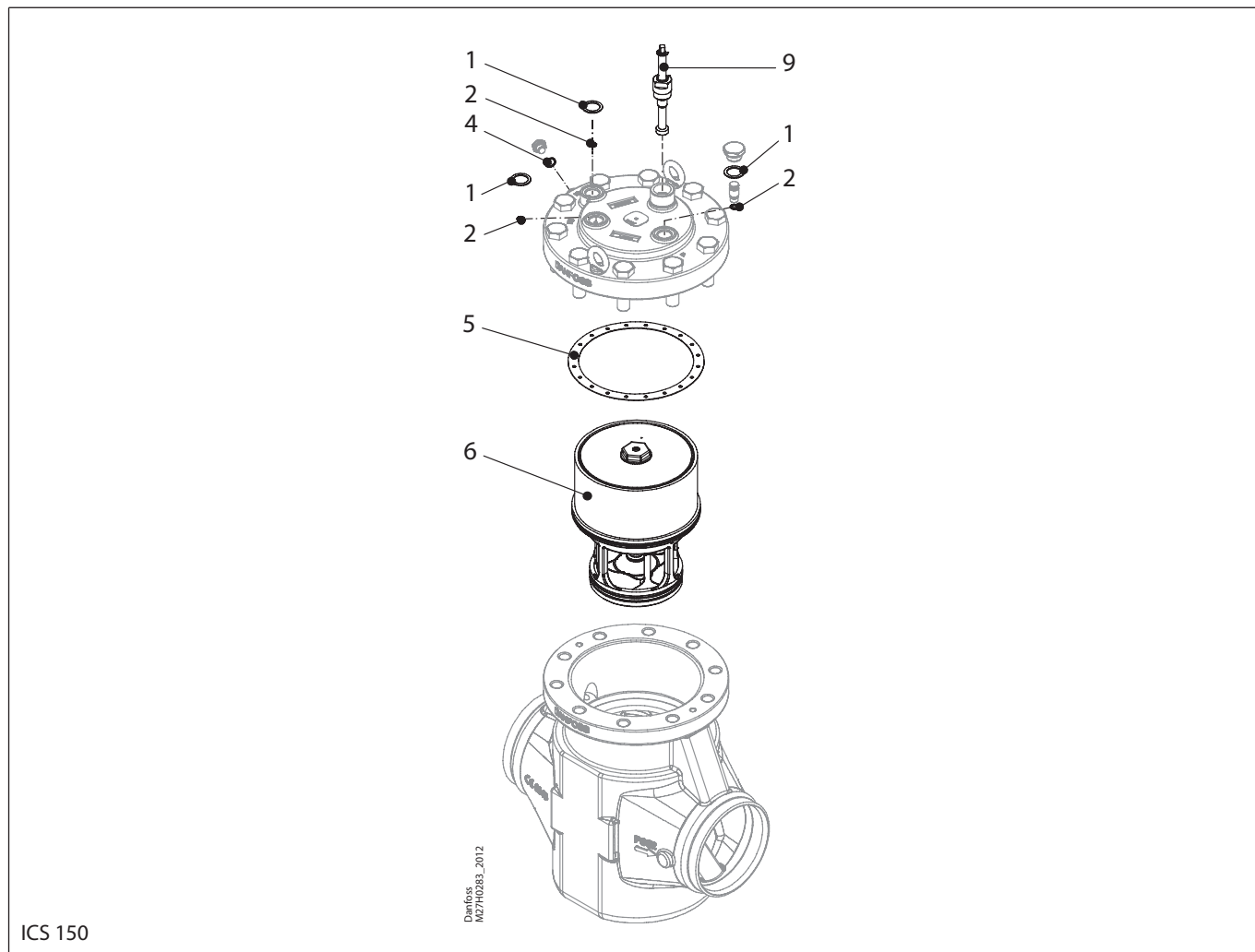


ICS 125

<p>1</p> <p> = Fibre</p> <p>Ø32.5 mm Ø1.28"</p> <p>Total no. = 3</p>	<p>2</p> <p>Ø9 mm Ø0.36"</p> <p>Total no. = 3</p>	<p>4</p> <p> = Alu.</p> <p>Ø18 mm Ø0.7"</p> <p>Total no. = 1</p>	<p>5</p> <p> = Fibre</p> <p>Ø178 mm Ø7.01"</p> <p>Total no. = 1</p>	<p>6</p> <p>Ø156 mm Ø6.14"</p> <p>Total no. = 1</p>
<p>9</p> <p>Total no. = 1</p>				

ICS, size 150

Overhaul kit | Code number 027H7198

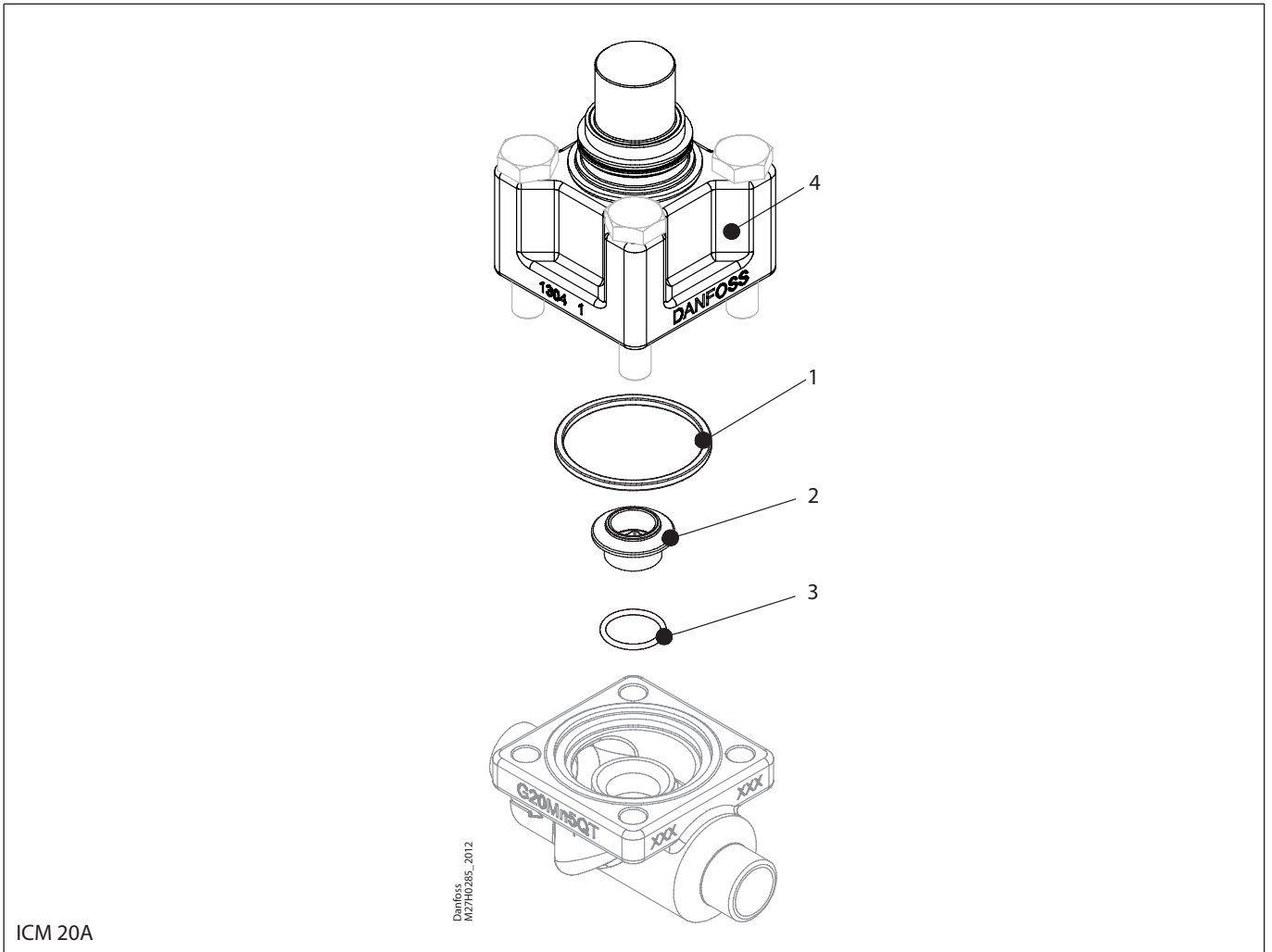


ICS 150

<p>1</p> <p> = Fibre</p> <p>$\frac{\varnothing 32.5 \text{ mm}}{\varnothing 1.28''}$</p> <p>Total no. = 3</p>	<p>2</p> <p> = Alu.</p> <p>$\frac{\varnothing 9 \text{ mm}}{\varnothing 0.36''}$</p> <p>Total no. = 3</p>	<p>4</p> <p> = Fibre</p> <p>$\frac{\varnothing 18 \text{ mm}}{\varnothing 0.7''}$</p> <p>Total no. = 1</p>	<p>5</p> <p> = Fibre</p> <p>$\frac{\varnothing 220 \text{ mm}}{\varnothing 8.66''}$</p> <p>Total no. = 1</p>	<p>6</p> <p>$\frac{\varnothing 202 \text{ mm}}{\varnothing 7.95''}$</p> <p>Total no. = 1</p>
<p>9</p> <p>Total no. = 1</p>				

ICM, size 20A

Overhaul kit | Code number 027H1180

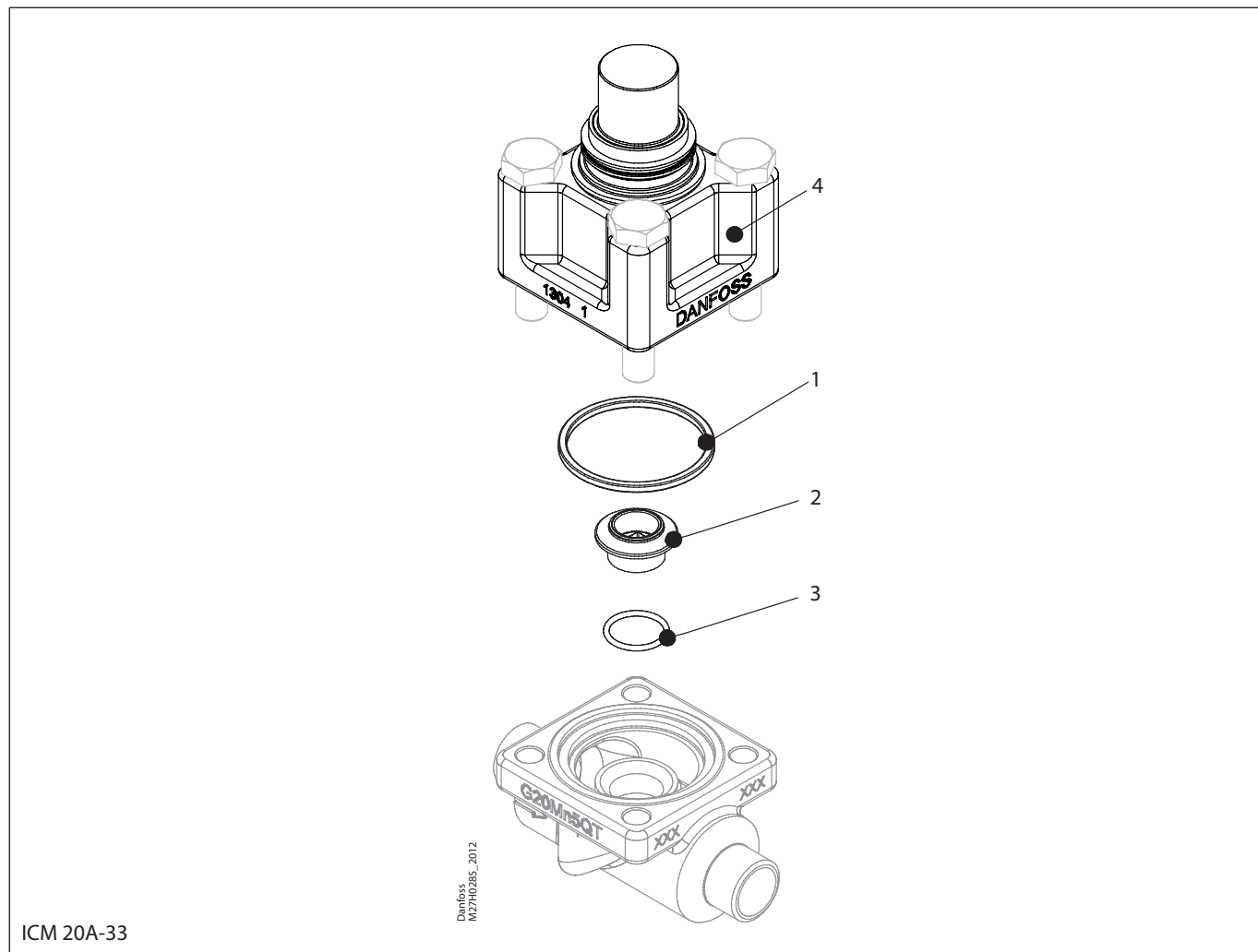


ICM 20A

<p>1</p> <p>Total no. = 1</p>	<p>2</p> <p>Total no. = 1</p>	<p>3</p> <p>Total no. = 1</p>	<p>4</p> <p>Total no. = 1</p>
--------------------------------------	--------------------------------------	--------------------------------------	--------------------------------------

ICM, size 20A-33

Overhaul kit | Code number 027H1186

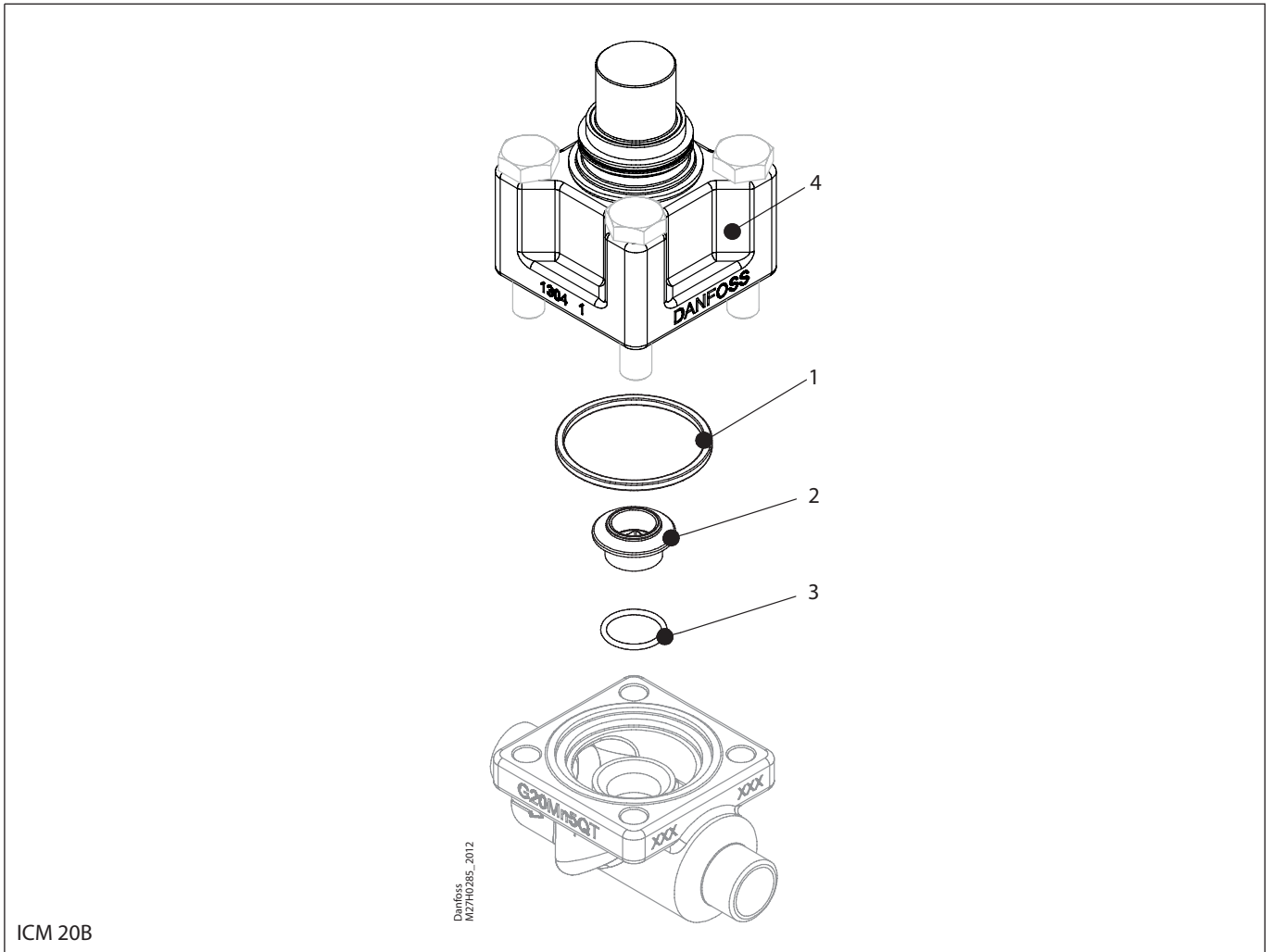


ICM 20A-33

<p>1</p> <p>\square = Rubber</p> <p>Ø49 mm Ø1.93"</p> <p>Total no. = 1</p>	<p>2</p> <p>Ø5.5 mm Ø0.217"</p> <p>Total no. = 1</p>	<p>3</p> <p>Ø17 mm Ø0.67"</p> <p>Total no. = 1</p>	<p>4</p> <p>Ø5.5 mm Ø0.22"</p> <p>7 mm 0.28"</p> <p>Cone type A-33:</p> <p>Total no. = 1</p>
--	---	---	---

ICM, size 20B

Overhaul kit | Code number 027H1181

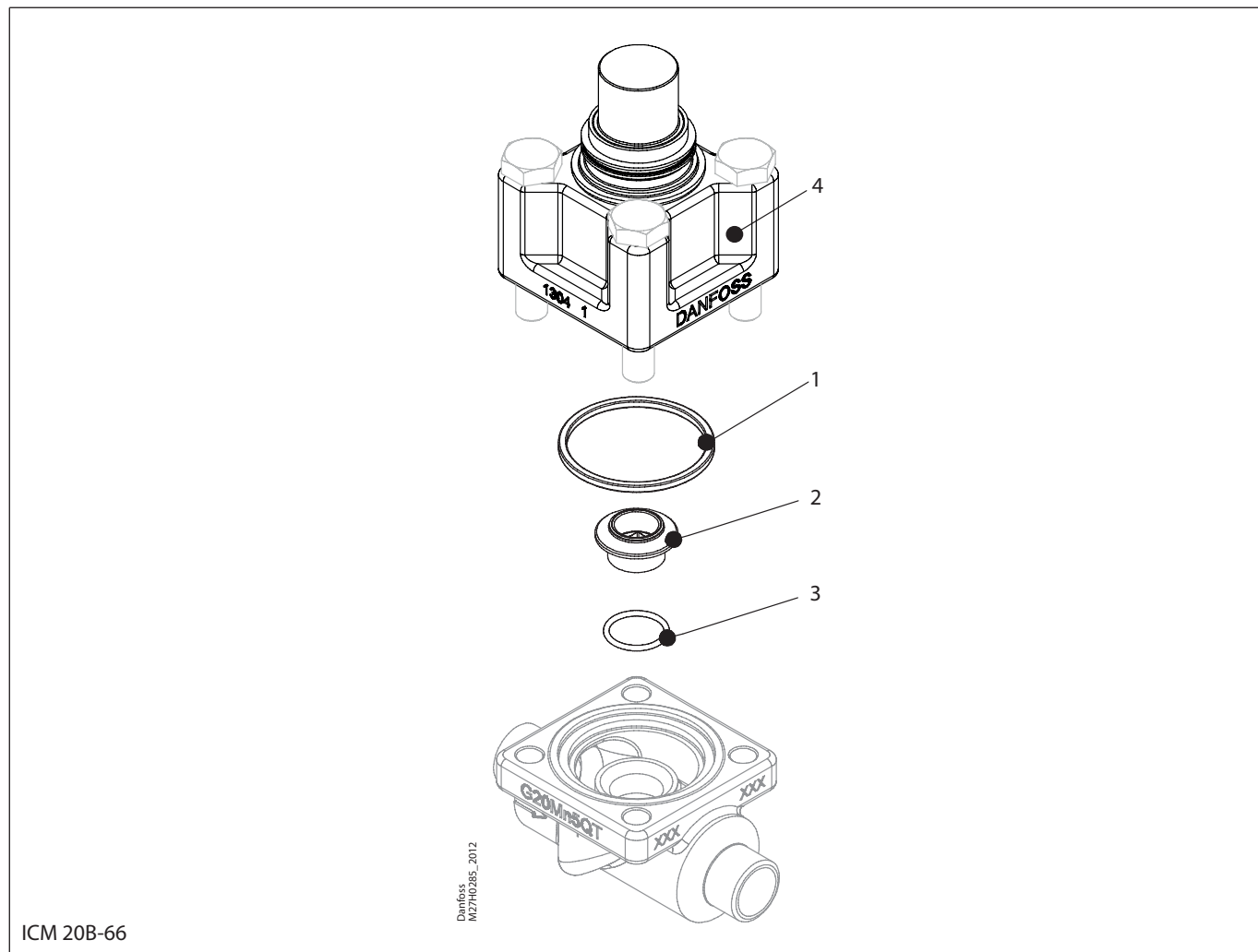


ICM 20B

<p>1</p> <p>Total no. = 1</p>	<p>2</p> <p>Total no. = 1</p>	<p>3</p> <p>Total no. = 1</p>	<p>4</p> <p>Total no. = 1</p>
--------------------------------------	--------------------------------------	--------------------------------------	--------------------------------------

ICM, size 20B-66

Overhaul kit | Code number 027H1194

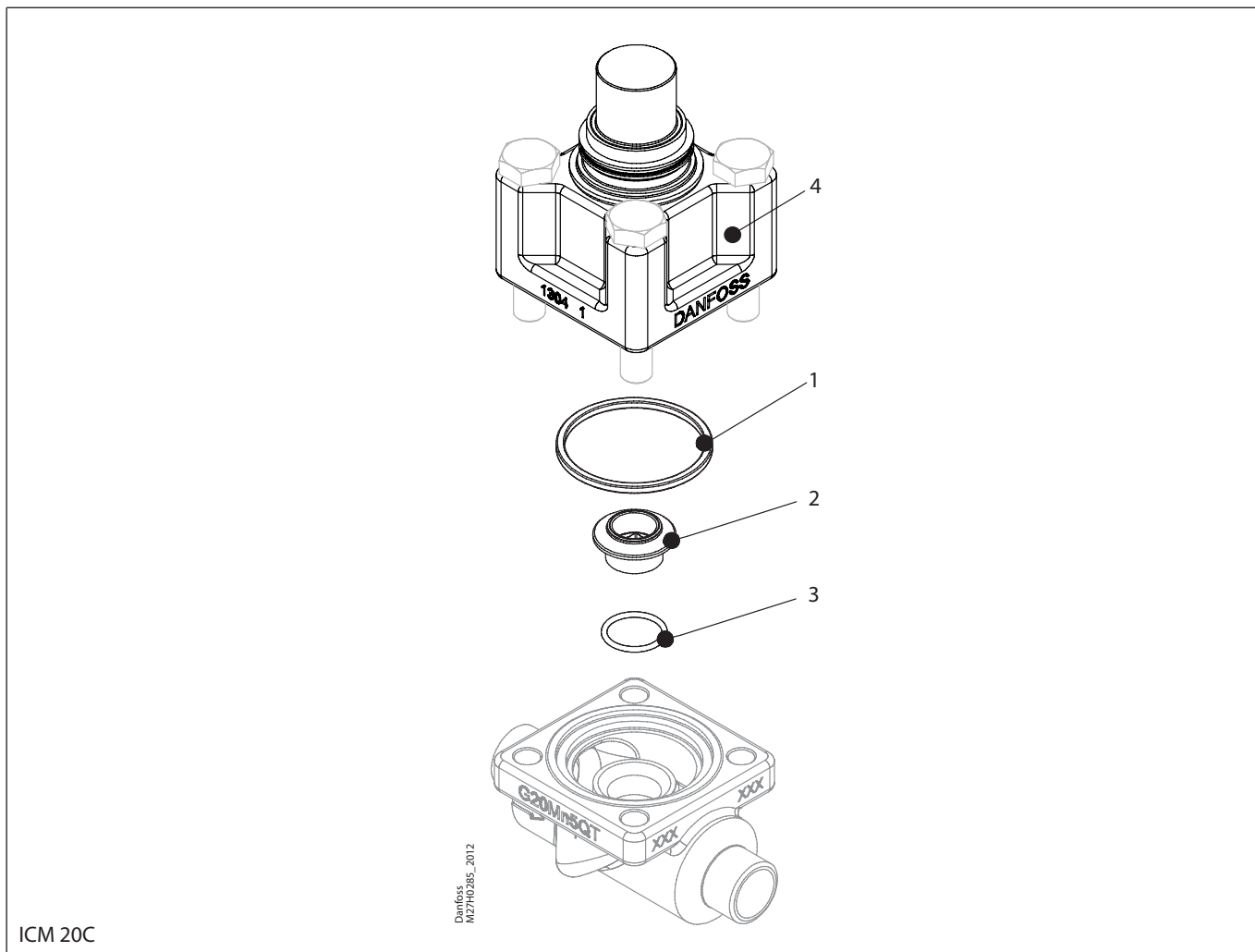


ICM 20B-66

<p>1</p> <p>Total no. = 1</p>	<p>2</p> <p>Total no. = 1</p>	<p>3</p> <p>Total no. = 1</p>	<p>4</p> <p>Cone type B-66: 7.5 mm 0.29°</p> <p>Total no. = 1</p>
--------------------------------------	--------------------------------------	--------------------------------------	--

ICM, size 20C

Overhaul kit | Code number 027H1182



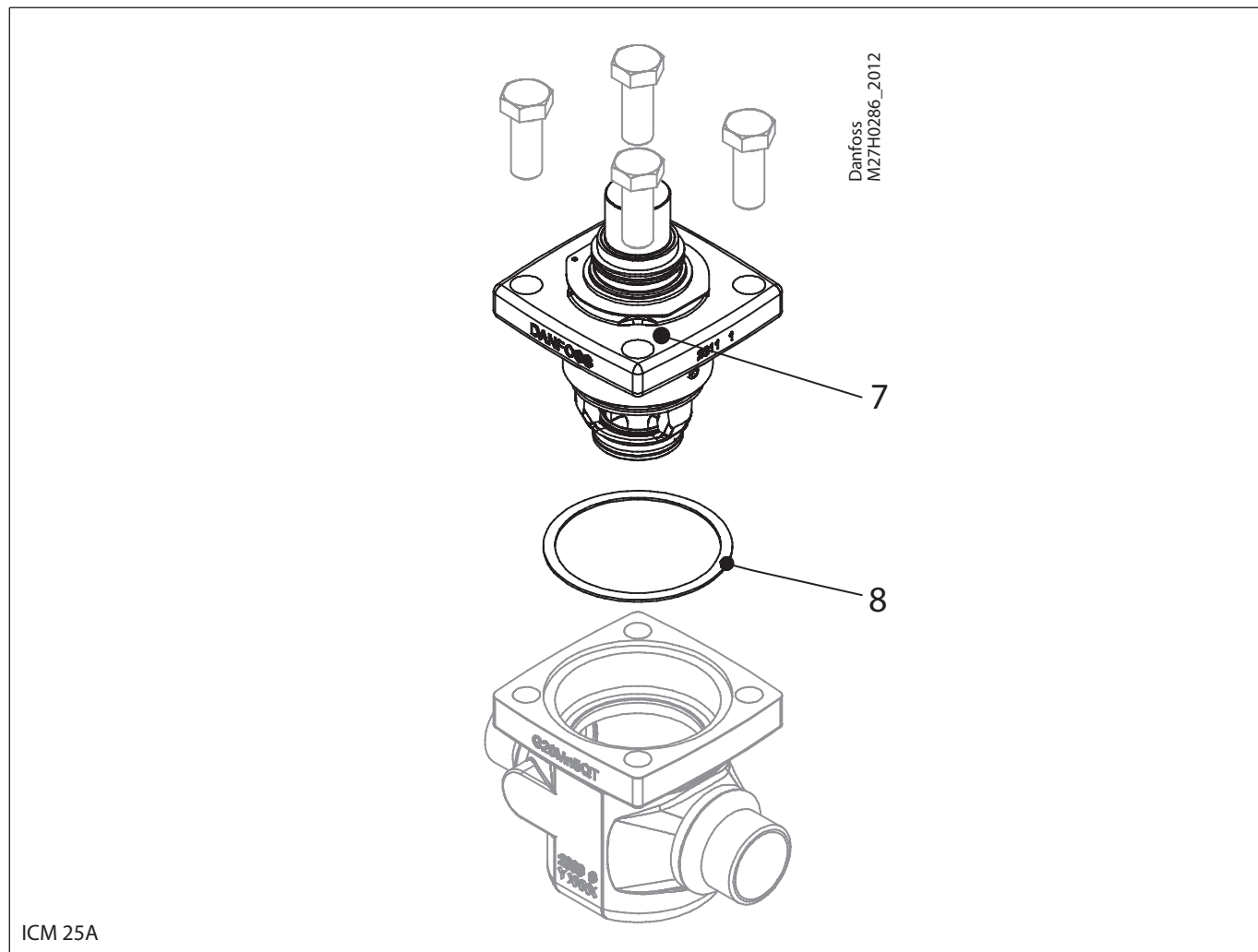
ICM 20C

Danfoss
M27H0285_2012

<p>1</p> <p>Total no. = 1</p>	<p>2</p> <p>Total no. = 1</p>	<p>3</p> <p>Total no. = 1</p>	<p>4</p> <p>Total no. = 1</p>
--------------------------------------	--------------------------------------	--------------------------------------	--------------------------------------

ICM, size 25A

Overhaul kit | Code number 027H2180

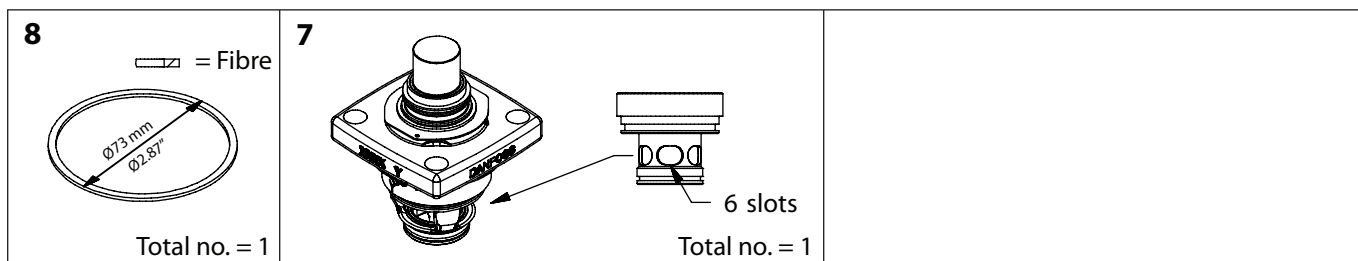
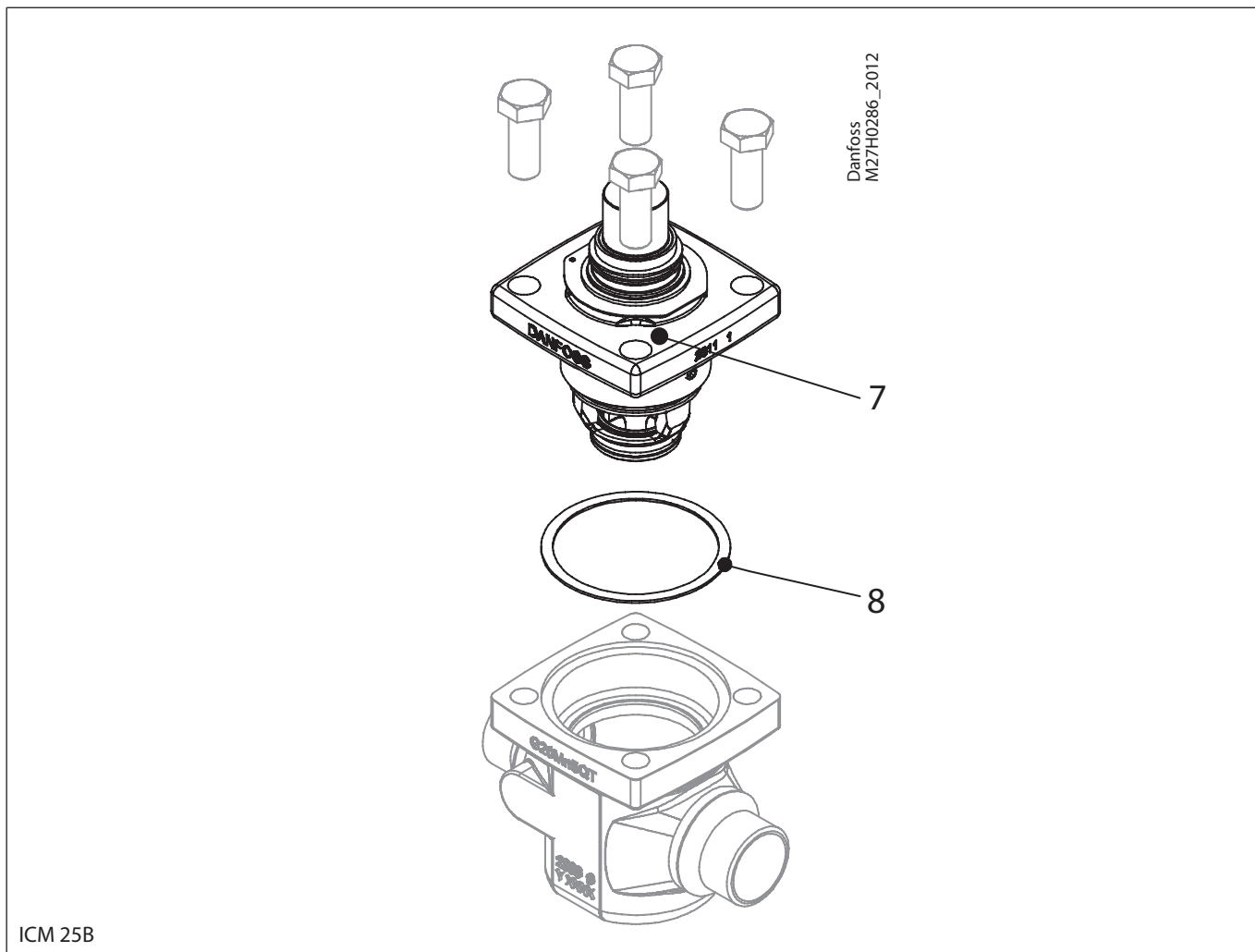


ICM 25A

<p>8</p> <p> = Fibre</p> <p>Total no. = 1</p>	<p>7</p> <p>3 holes Total no. = 1</p>	
--	--	--

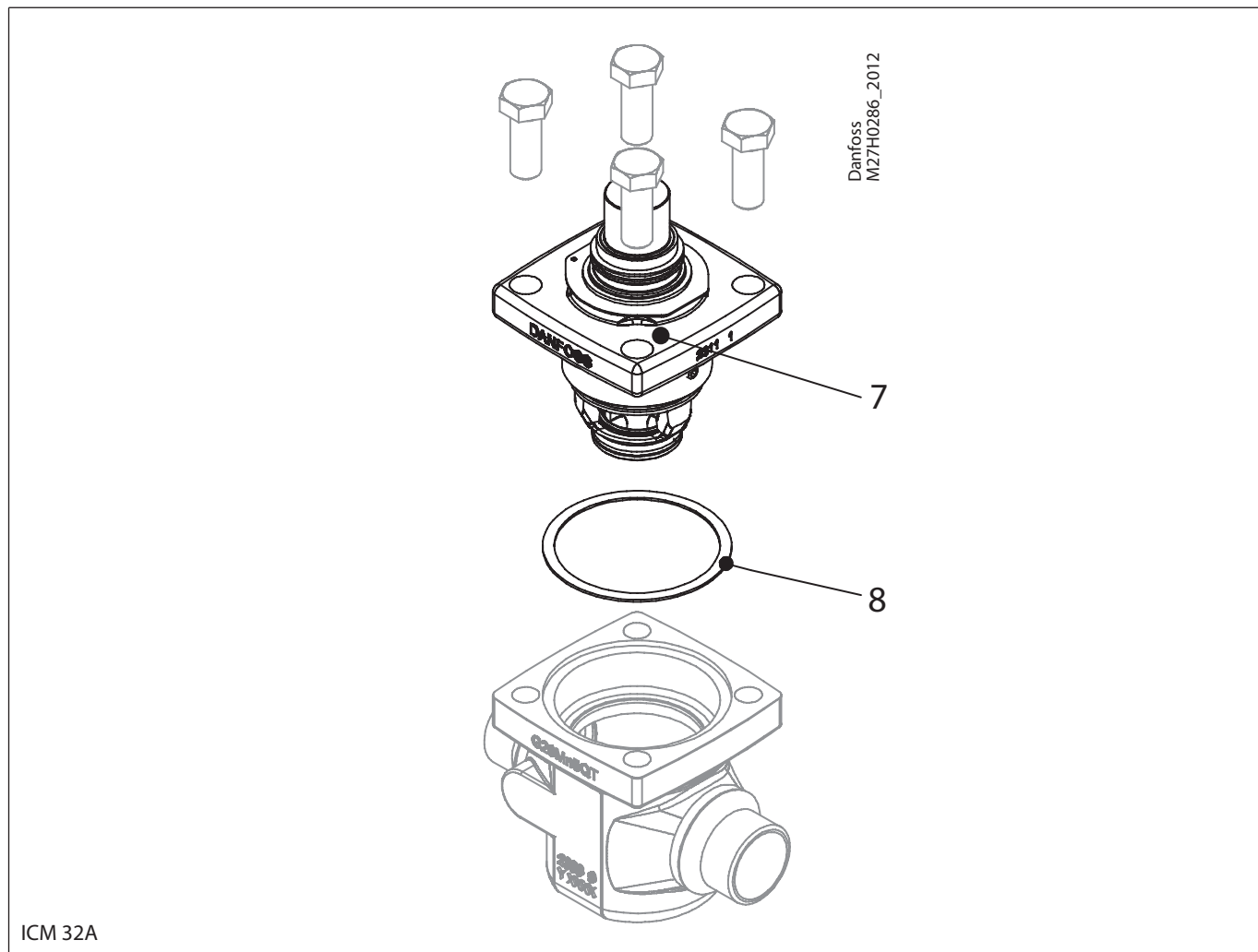
ICM, size 25B

Overhaul kit | Code number 027H2181



ICM, size 32A

Overhaul kit | Code number 027H3180

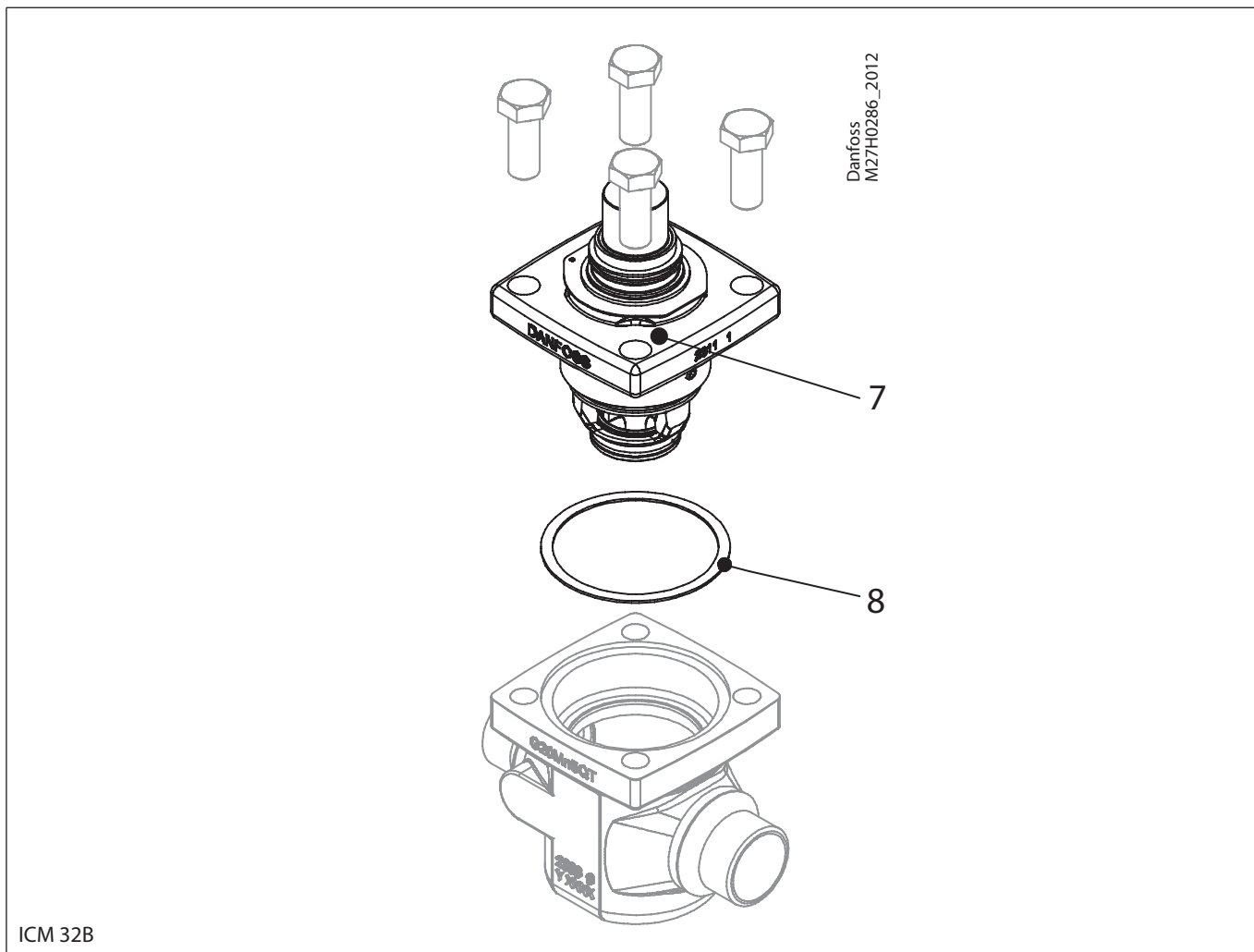


ICM 32A

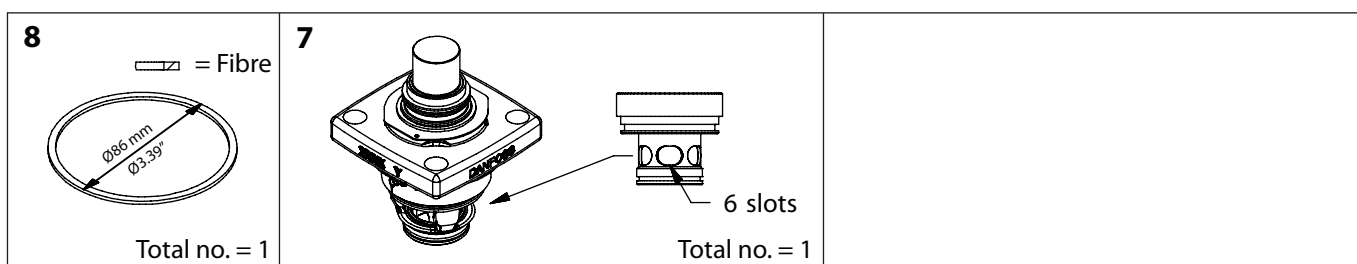
<p>8</p> <p> = Fibre</p> <p></p> <p>Total no. = 1</p>	<p>7</p> <p></p> <p>4 holes</p> <p>Total no. = 1</p>	
--	---	--

ICM, size 32B

Overhaul kit | Code number 027H3181

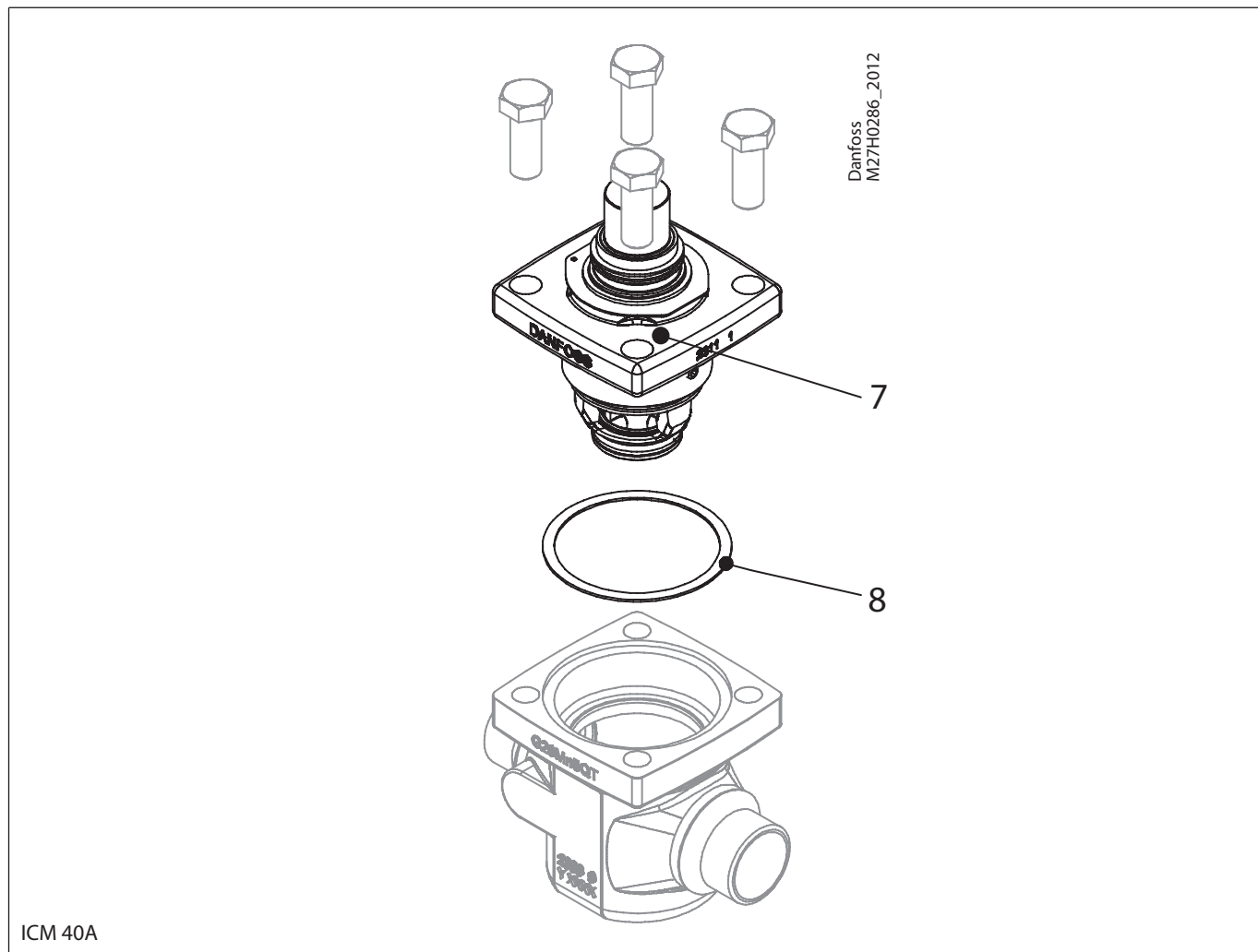


ICM 32B



ICM, size 40A

Overhaul kit | Code number 027H4180

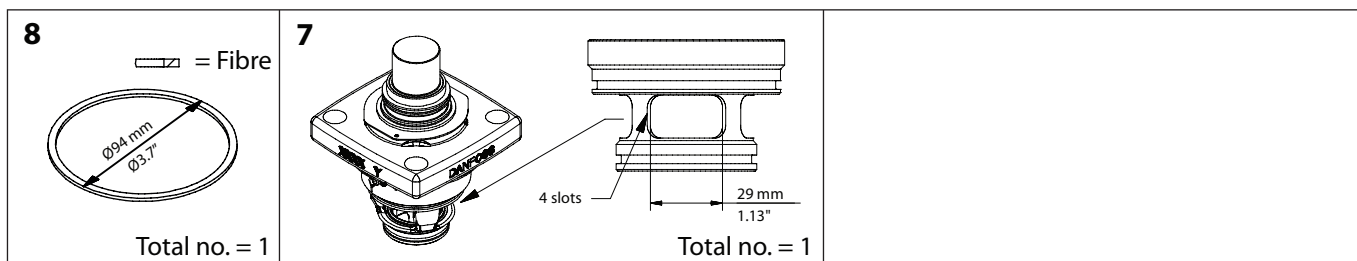
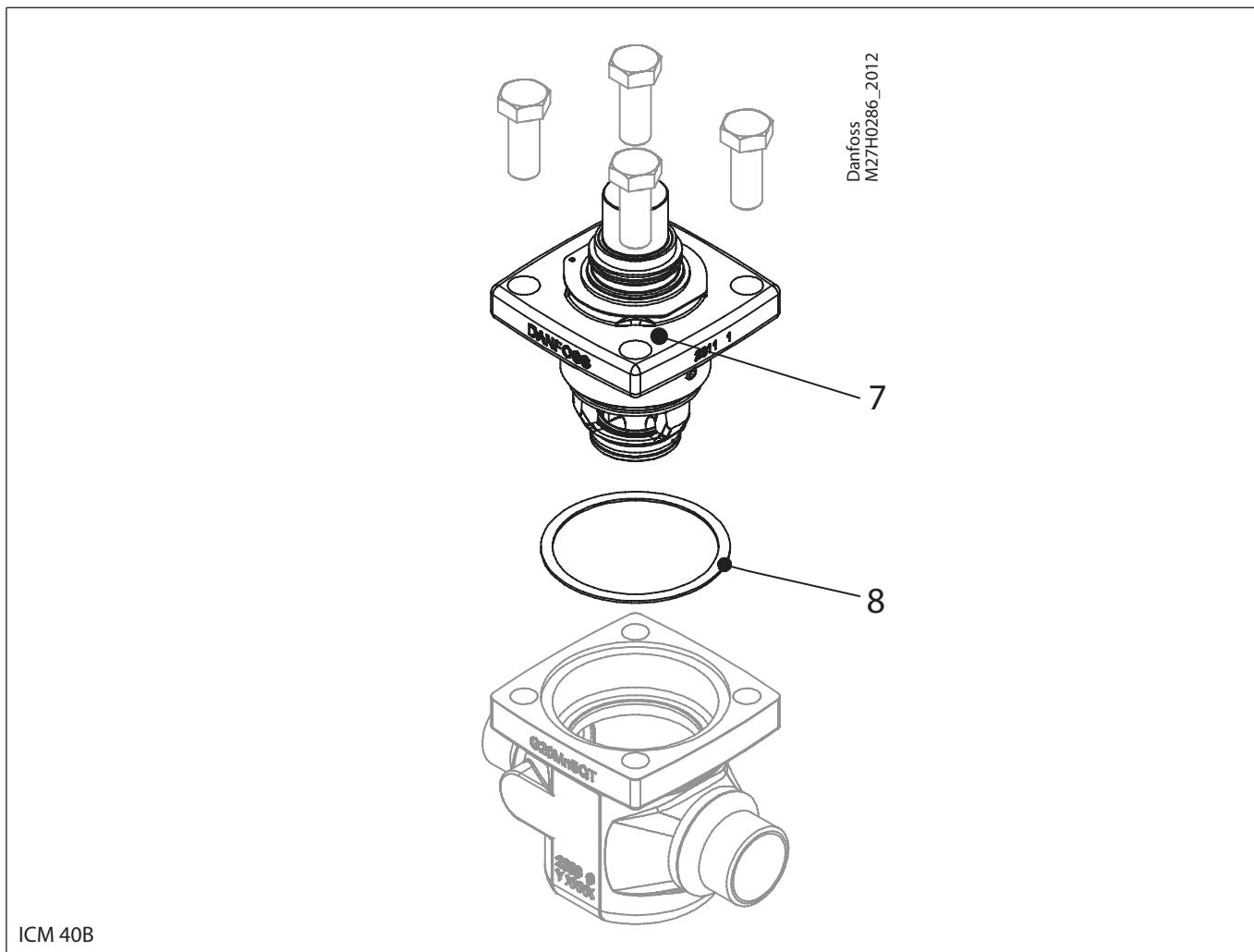


ICM 40A

<p>8</p> <p>Total no. = 1</p>	<p>7</p> <p>Total no. = 1</p>	
--------------------------------------	--------------------------------------	--

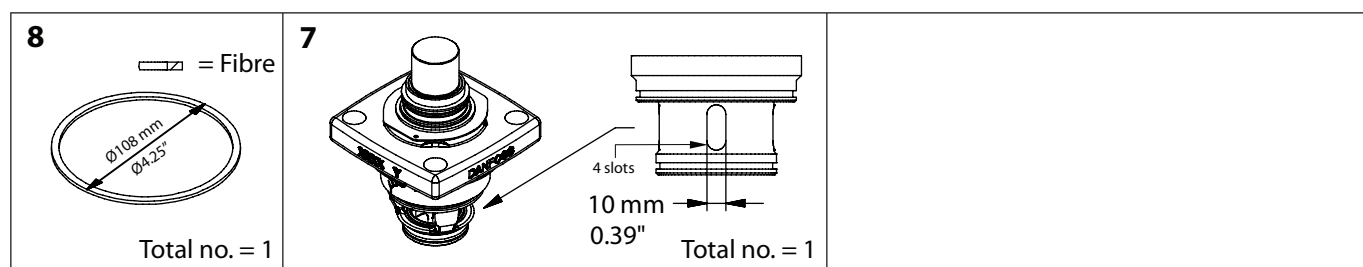
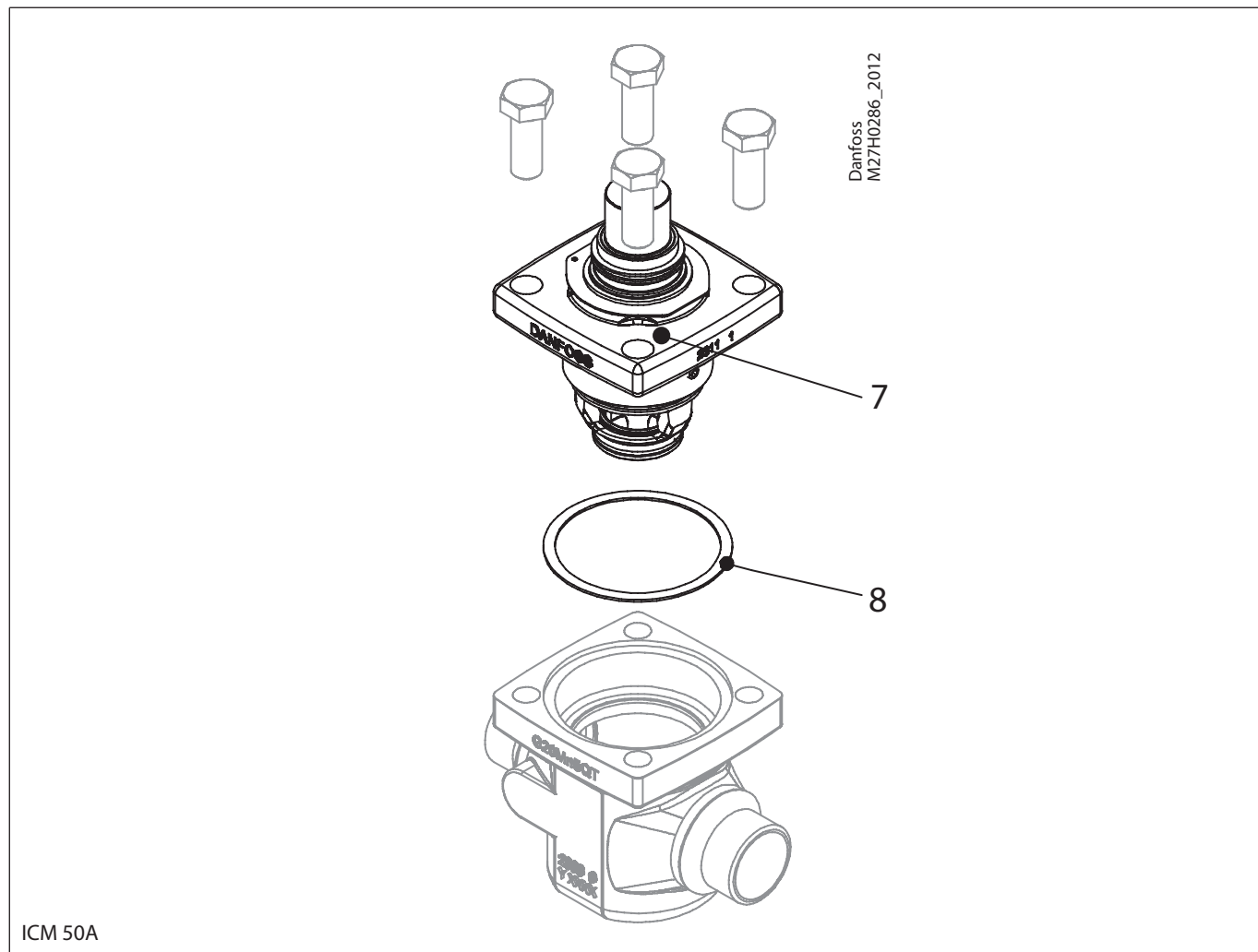
ICM, size 40B

Overhaul kit | Code number 027H4181



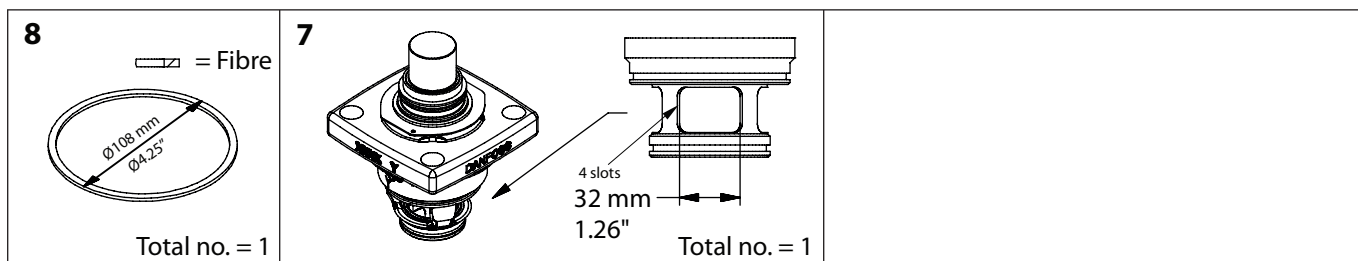
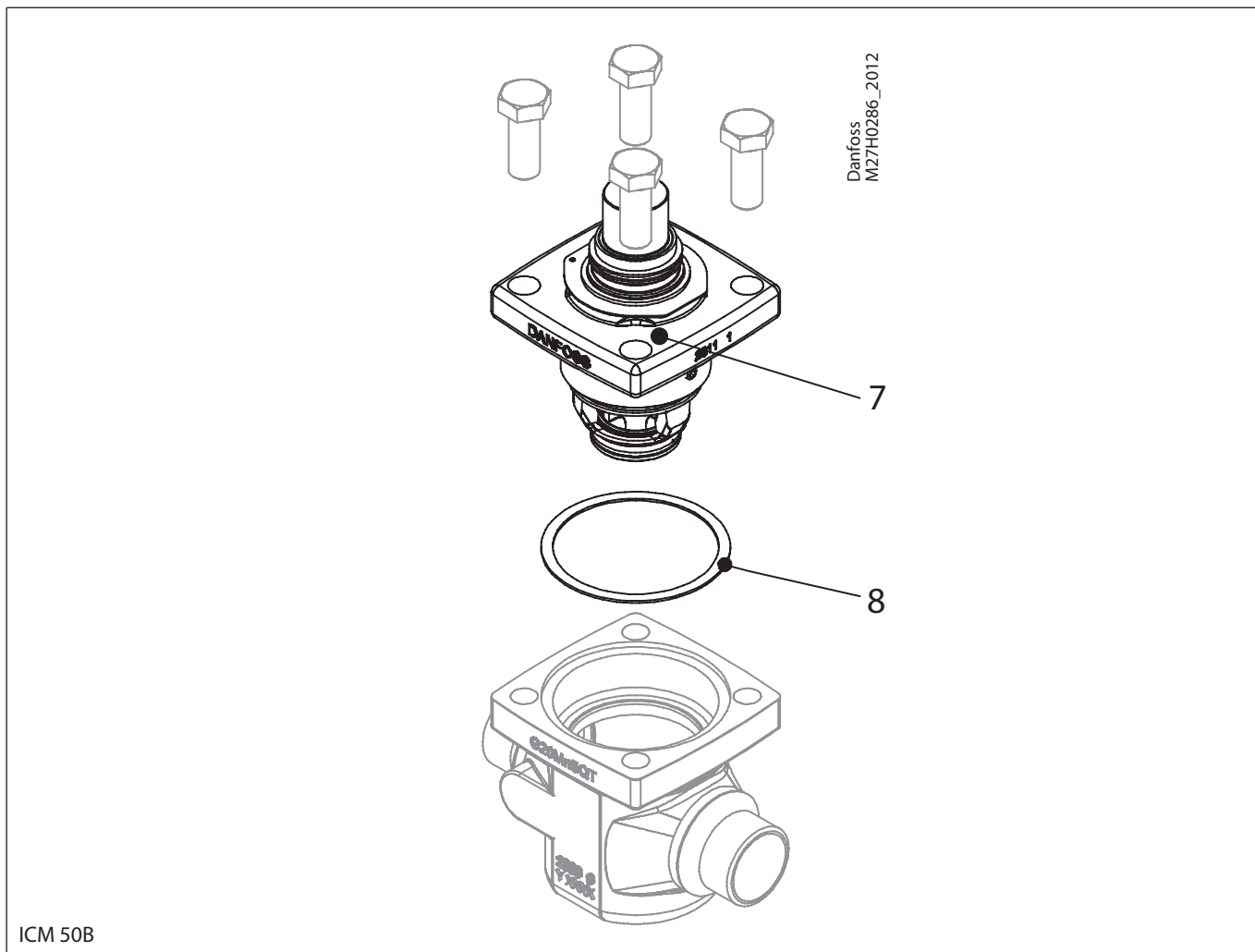
ICM, size 50A

Overhaul kit | Code number 027H5180



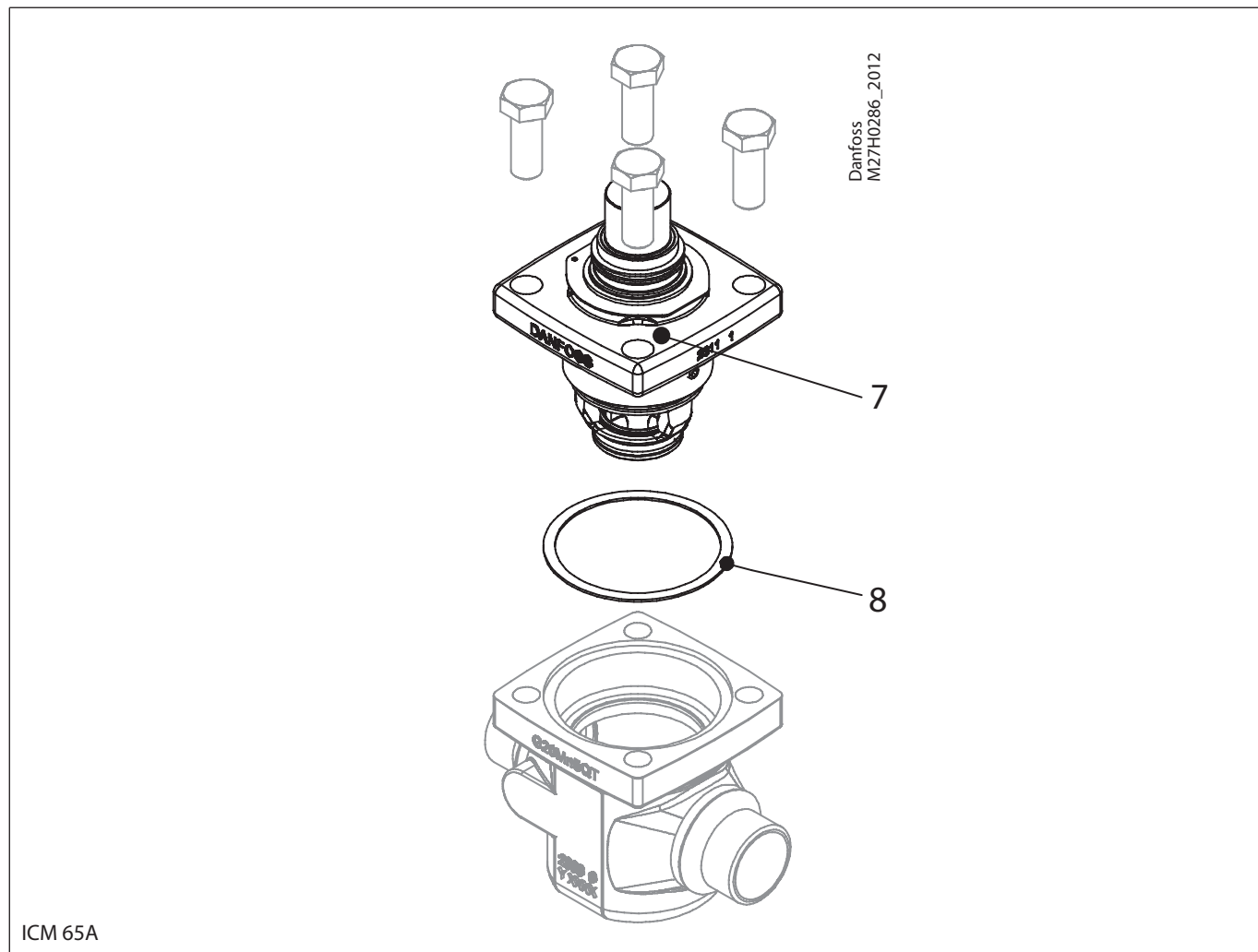
ICM, size 50B

Overhaul kit | Code number 027H5181

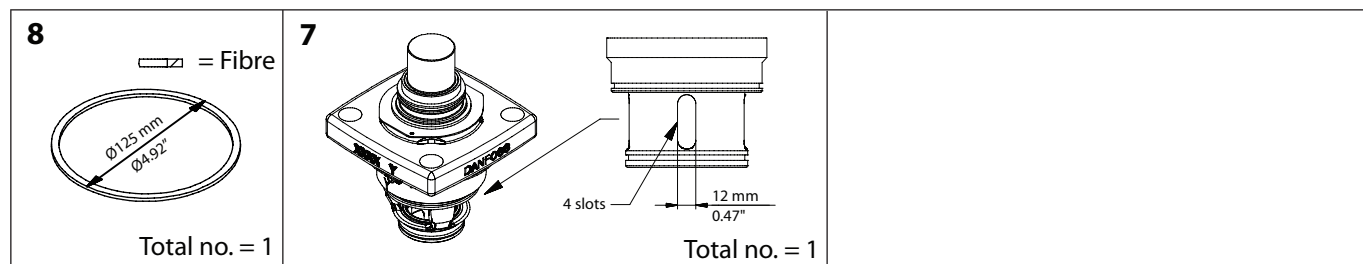


ICM, size 65A

Overhaul kit | Code number 027H6180

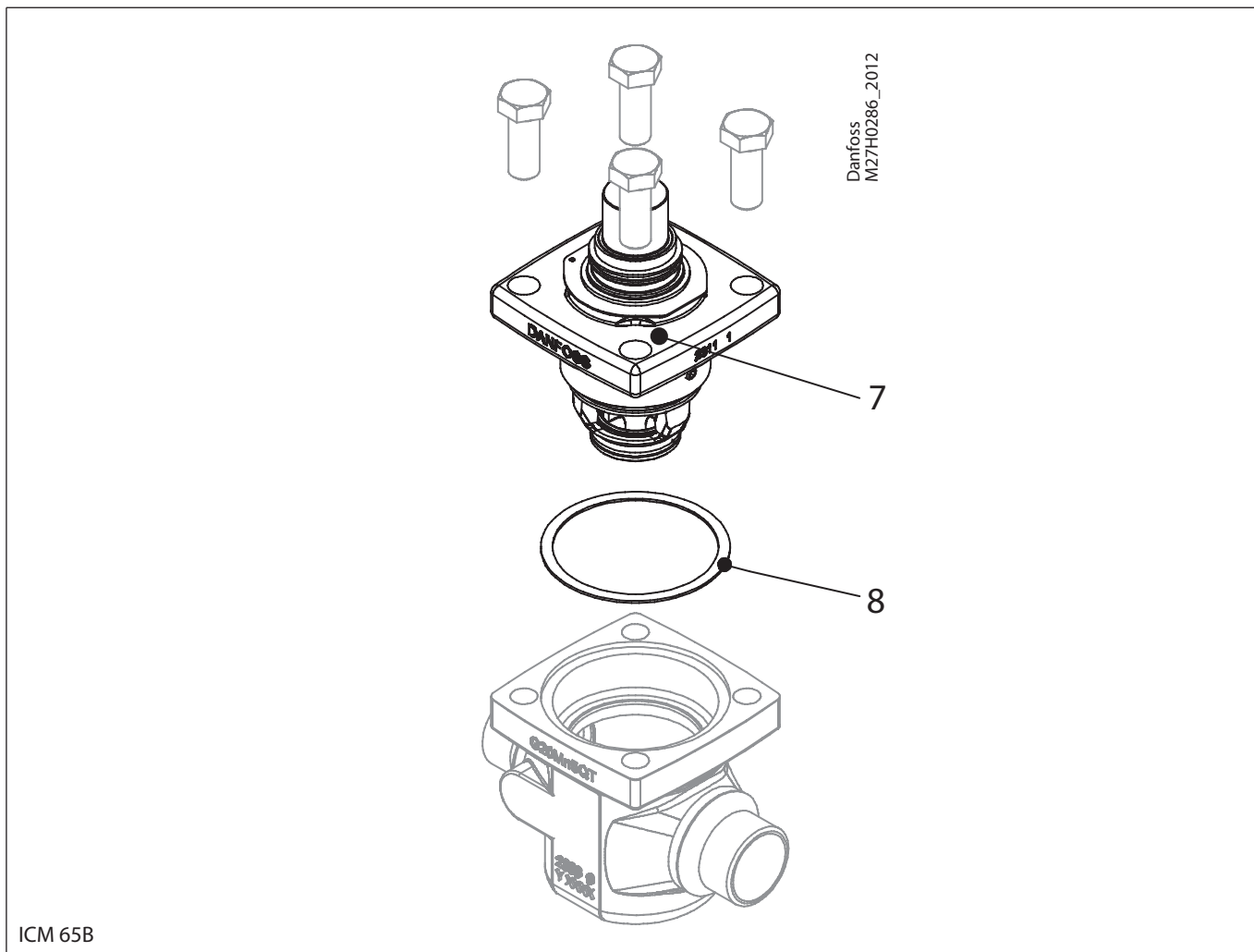


ICM 65A

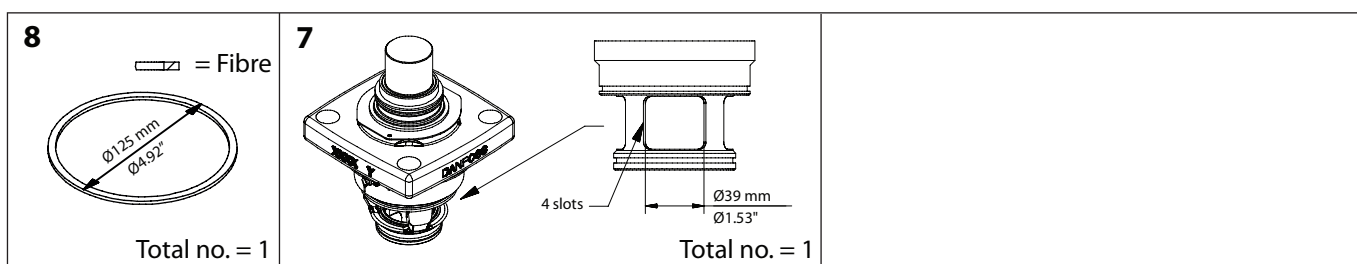


ICM, size 65B

Overhaul kit | Code number 027H6181

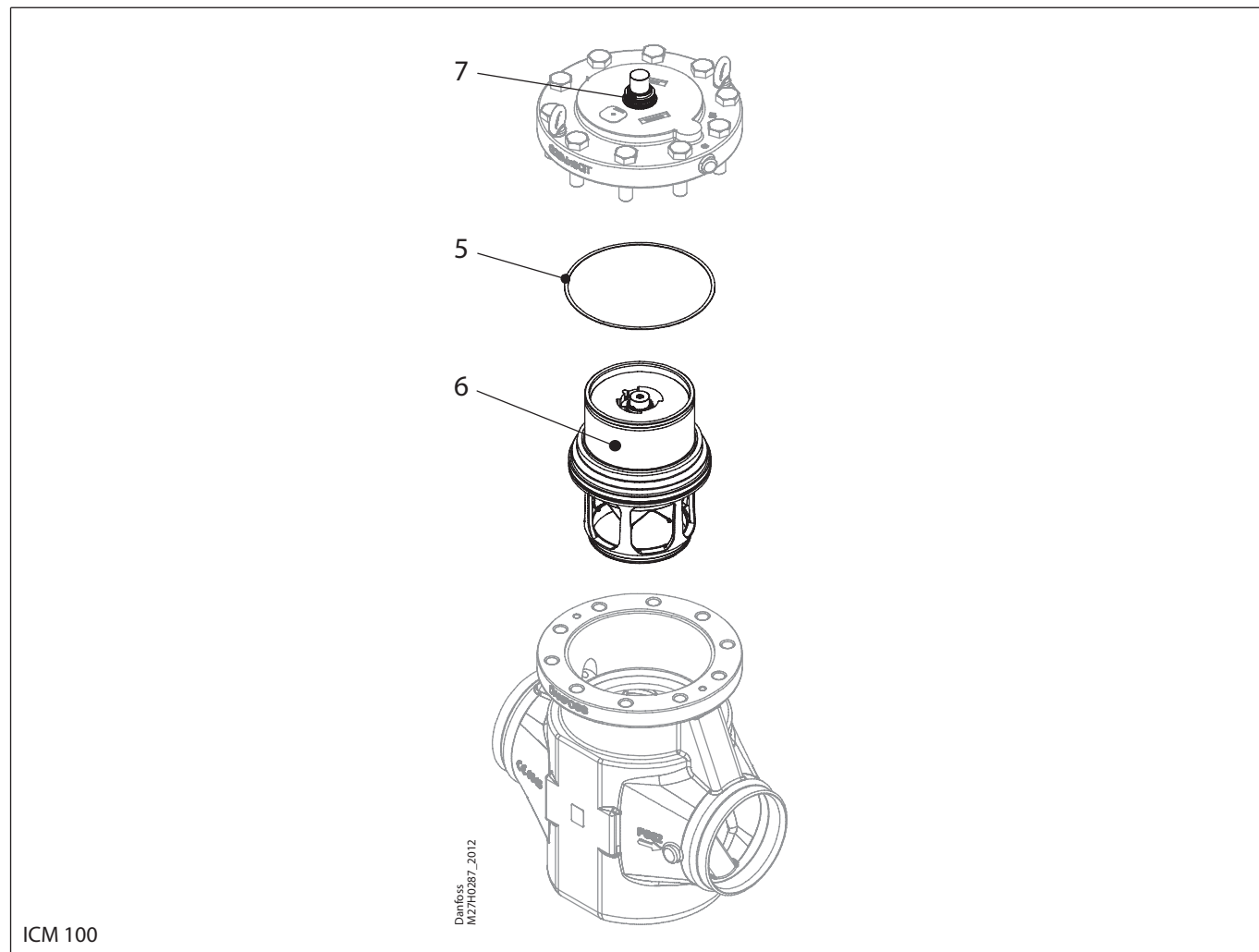


ICM 65B



ICM, size 100

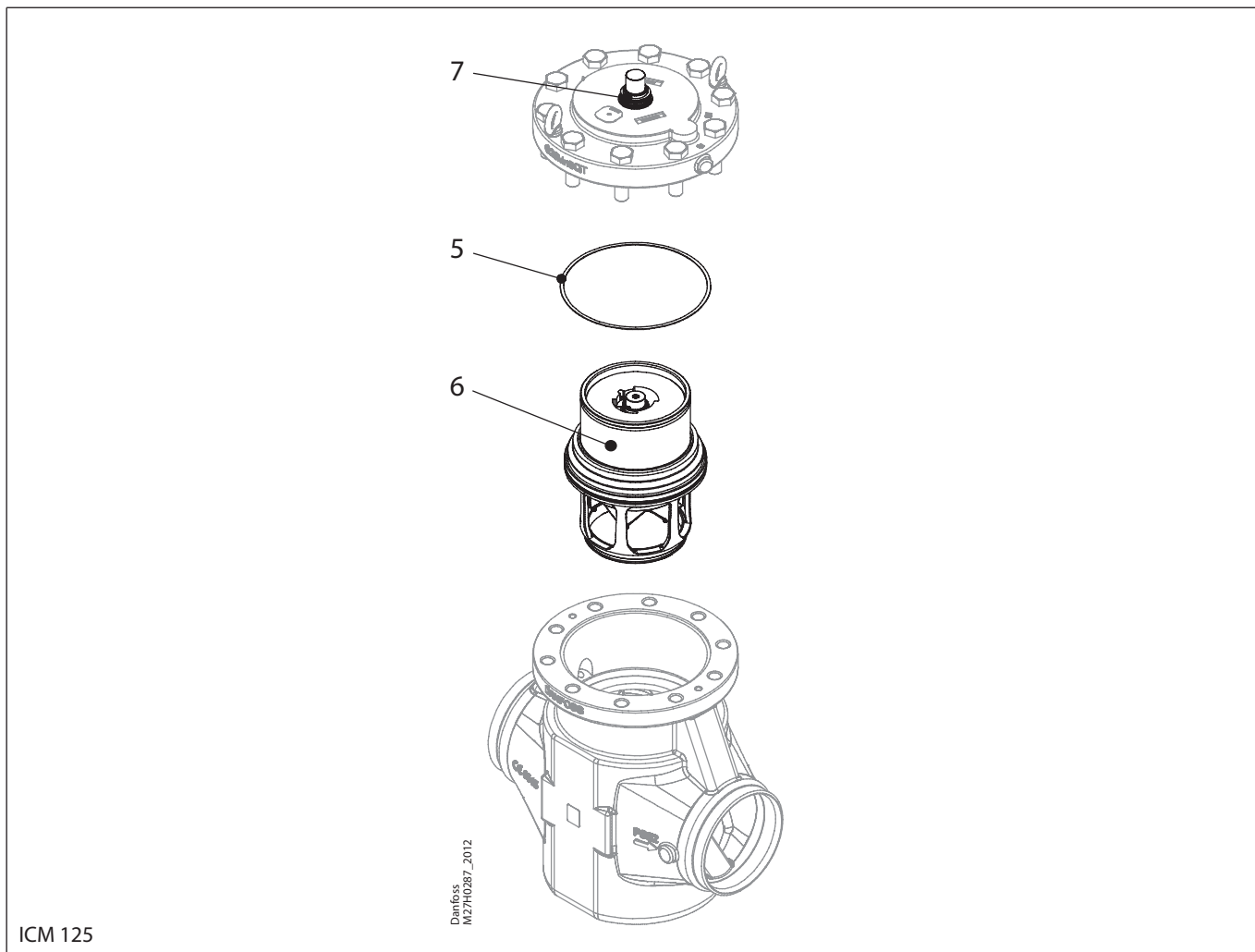
Overhaul kit | Code number 027H7136



<p>5</p> <p>Legend: = Fibre</p> <p>Total no. = 1</p>	<p>6</p> <p>Total no. = 1</p>	<p>7</p> <p>Total no. = 1</p>	
--	--------------------------------------	--------------------------------------	--

ICM, size 125

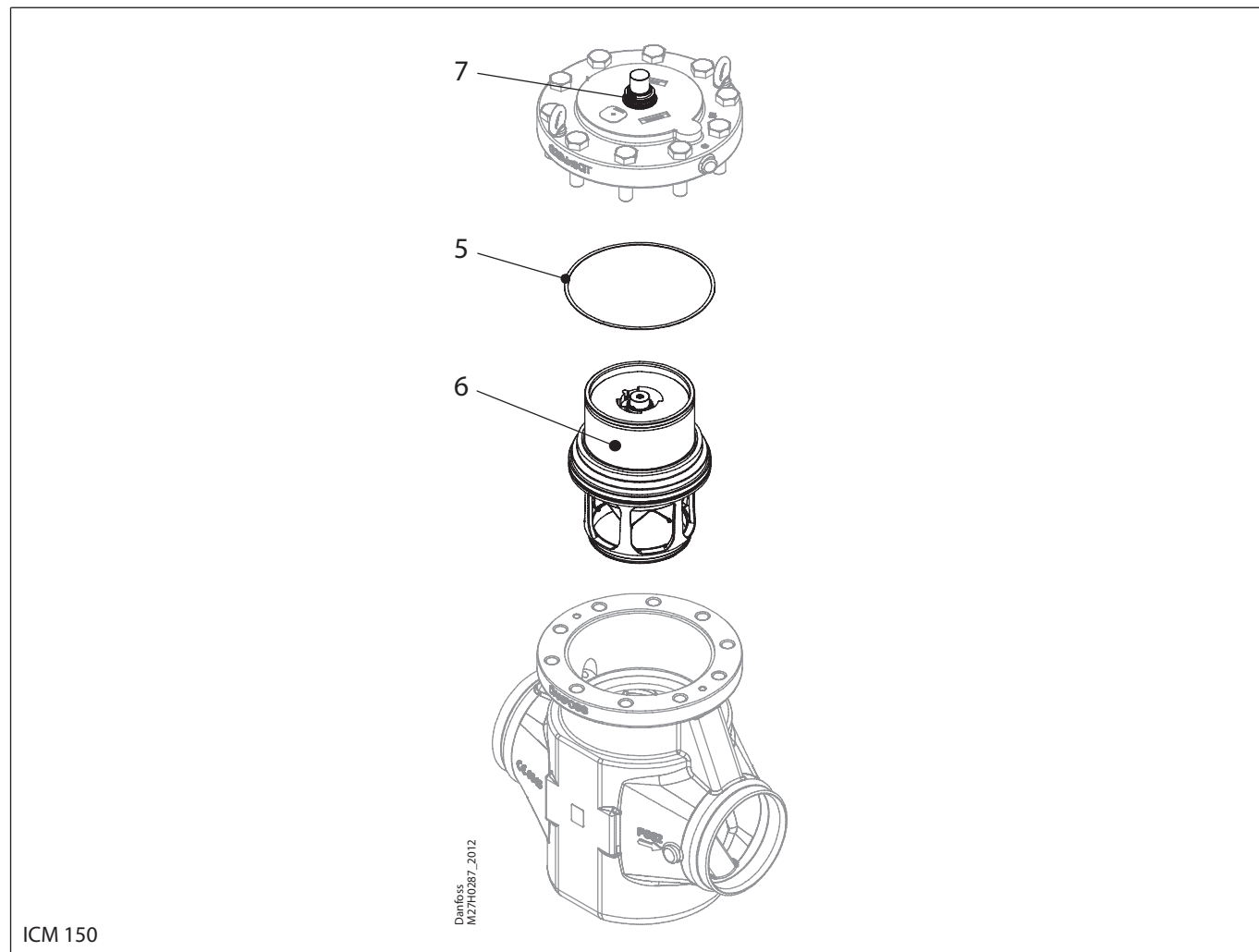
Overhaul kit | Code number 027H7156



<p>5</p> <p> = Fibre</p> <p style="text-align: center;">Total no. = 1</p>	<p>6</p> <p style="text-align: center;">Total no. = 1</p>	<p>7</p> <p style="text-align: center;">Total no. = 1</p>
--	--	--

ICM, size 150

Overhaul kit | Code number 027H7176

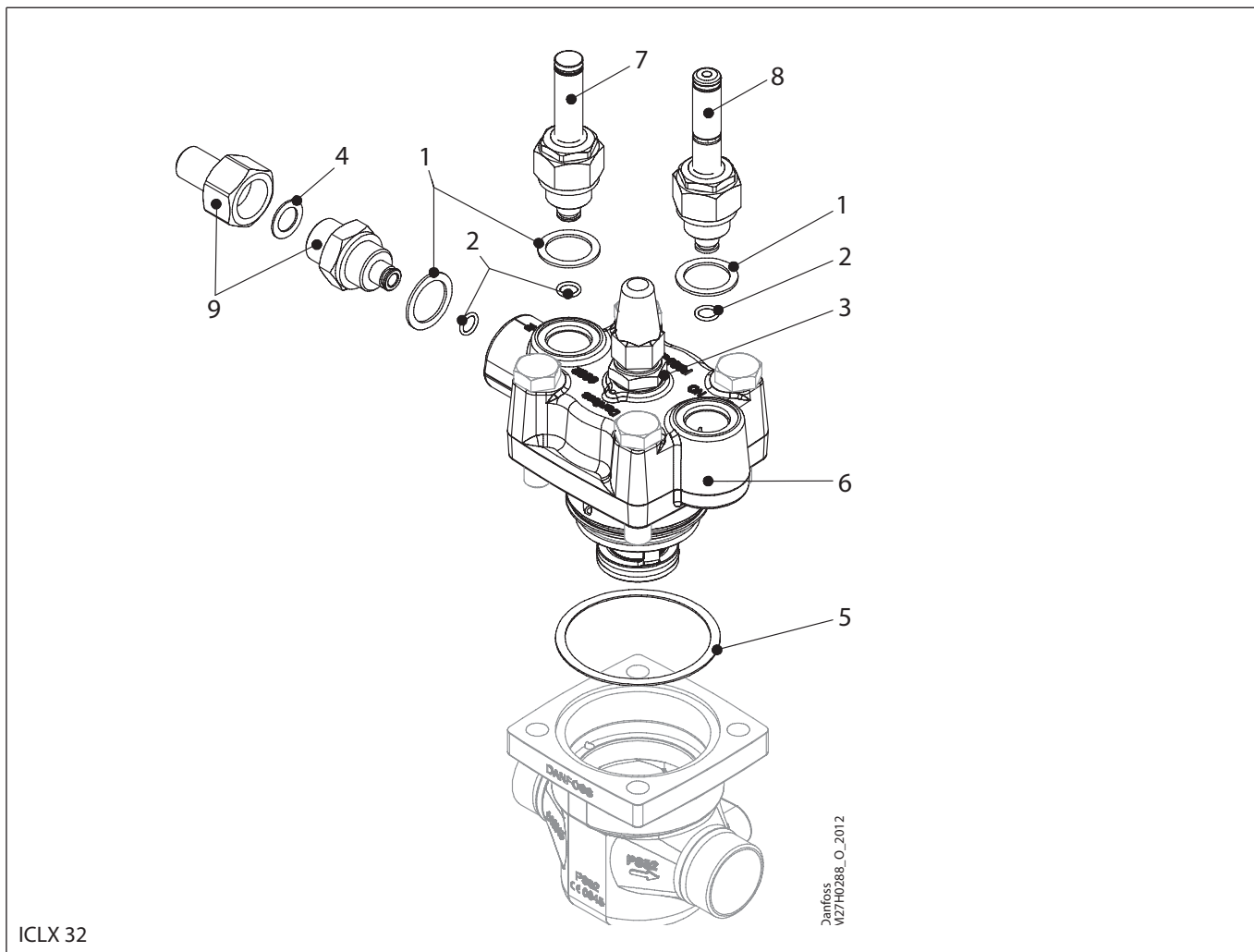


ICM 150

<p>5</p> <p> $\square = \text{Fibre}$ $\varnothing 220 \text{ mm}$ $\varnothing 86 \text{ mm}$ </p> <p>Total no. = 1</p>	<p>6</p> <p> $\varnothing 150 \text{ mm}$ $\varnothing 59 \text{ mm}$ </p> <p>Total no. = 1</p>	<p>7</p> <p>Total no. = 1</p>	
--	---	--------------------------------------	--

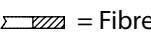

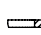
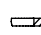
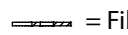
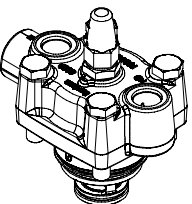
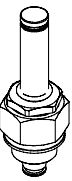
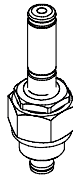
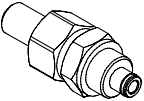
ICLX, size 32

Overhaul kit | Code number 027H3204



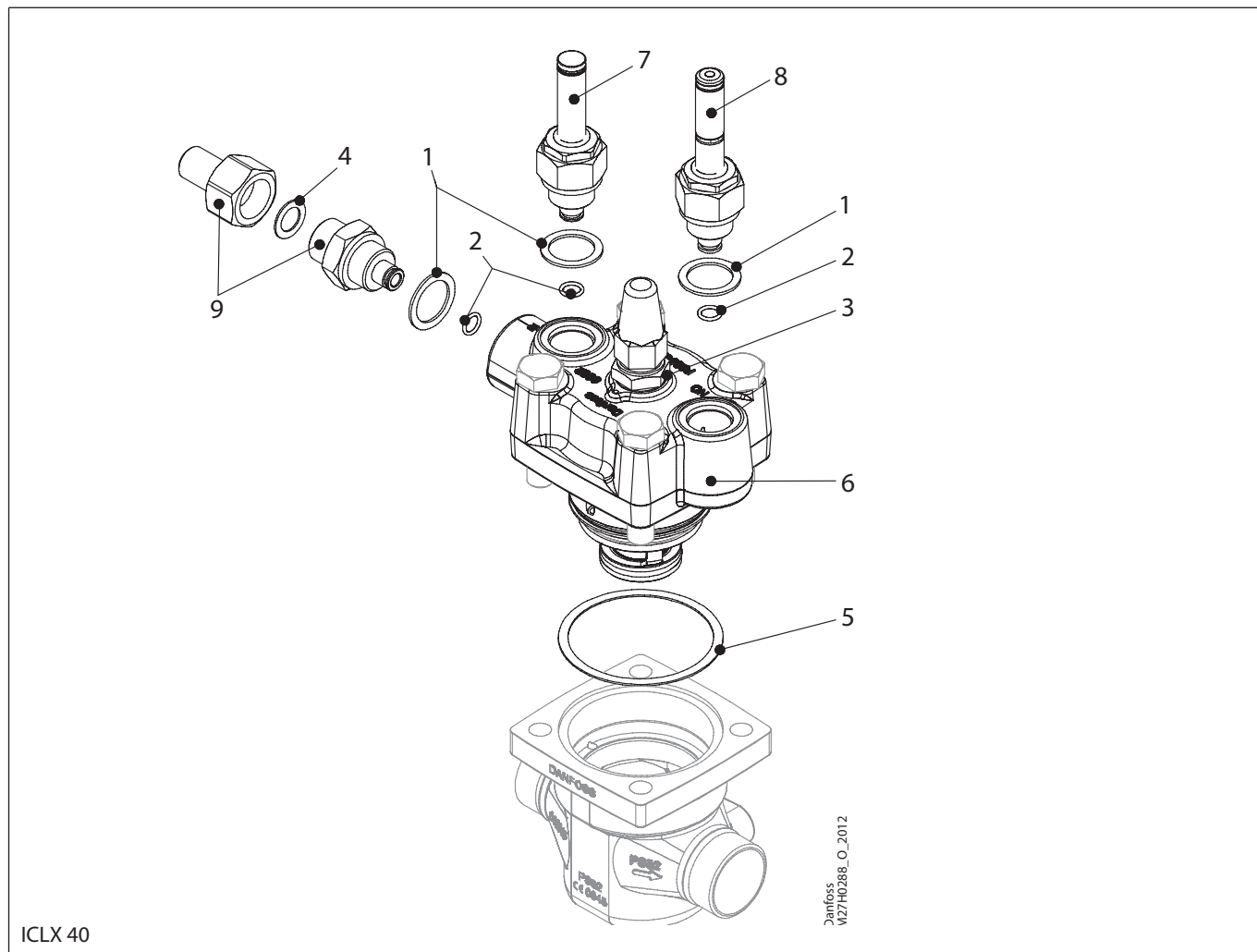
ICLX 32

Danfoss
V127H0288_O_2012

<p>1</p> <p> = Fibre</p> <p> <p>Total no. = 3</p> </p>	<p>2</p> <p></p> <p> <p>Total no. = 3</p> </p>	<p>3</p> <p> = Alu.</p> <p> <p>Total no. = 1</p> </p>	<p>4</p> <p> = Alu.</p> <p> <p>Total no. = 1</p> </p>	<p>5</p> <p> = Fibre</p> <p> <p>Total no. = 1</p> </p>
<p>6</p> <p></p> <p>Total no. = 1</p>	<p>7</p> <p></p> <p>Total no. = 1</p>	<p>8</p> <p></p> <p>Total no. = 1</p>	<p>9</p> <p></p> <p>Total no. = 1</p>	

ICLX, size 40

Overhaul kit | Code number 027H4204



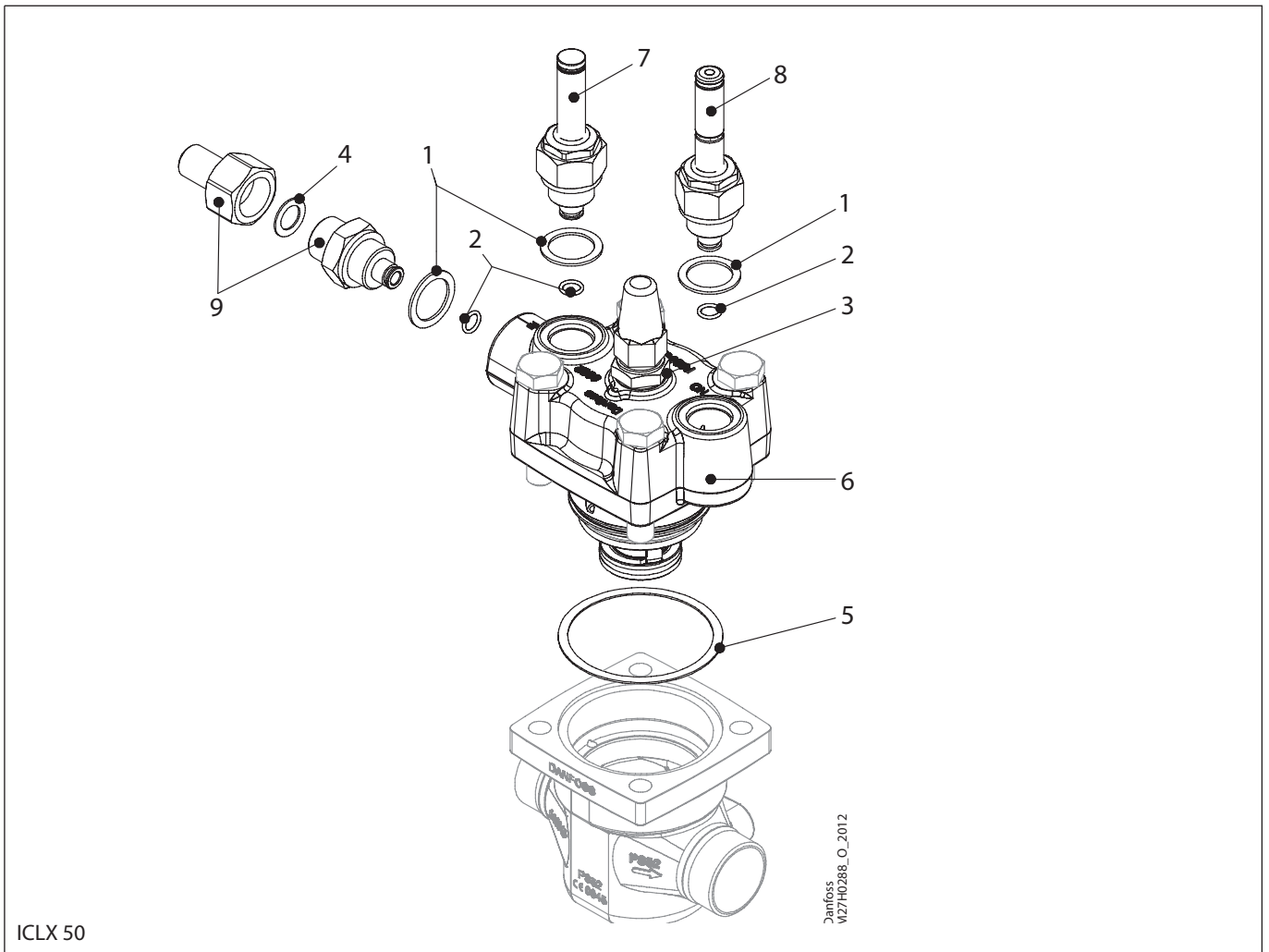
Danfoss
M27H0288_O_2012

ICLX 40

<p>1</p> <p> = Fibre</p> <p>Total no. = 3</p>	<p>2</p> <p></p> <p>Total no. = 3</p>	<p>3</p> <p> = Alu.</p> <p>Total no. = 1</p>	<p>4</p> <p> = Alu.</p> <p>Total no. = 1</p>	<p>5</p> <p> = Fibre</p> <p>Total no. = 1</p>
<p>6</p> <p>Total no. = 1</p>	<p>7</p> <p>Total no. = 1</p>	<p>8</p> <p>Total no. = 1</p>	<p>9</p> <p>Total no. = 1</p>	

ICLX, size 50

Overhaul kit | Code number 027H5204



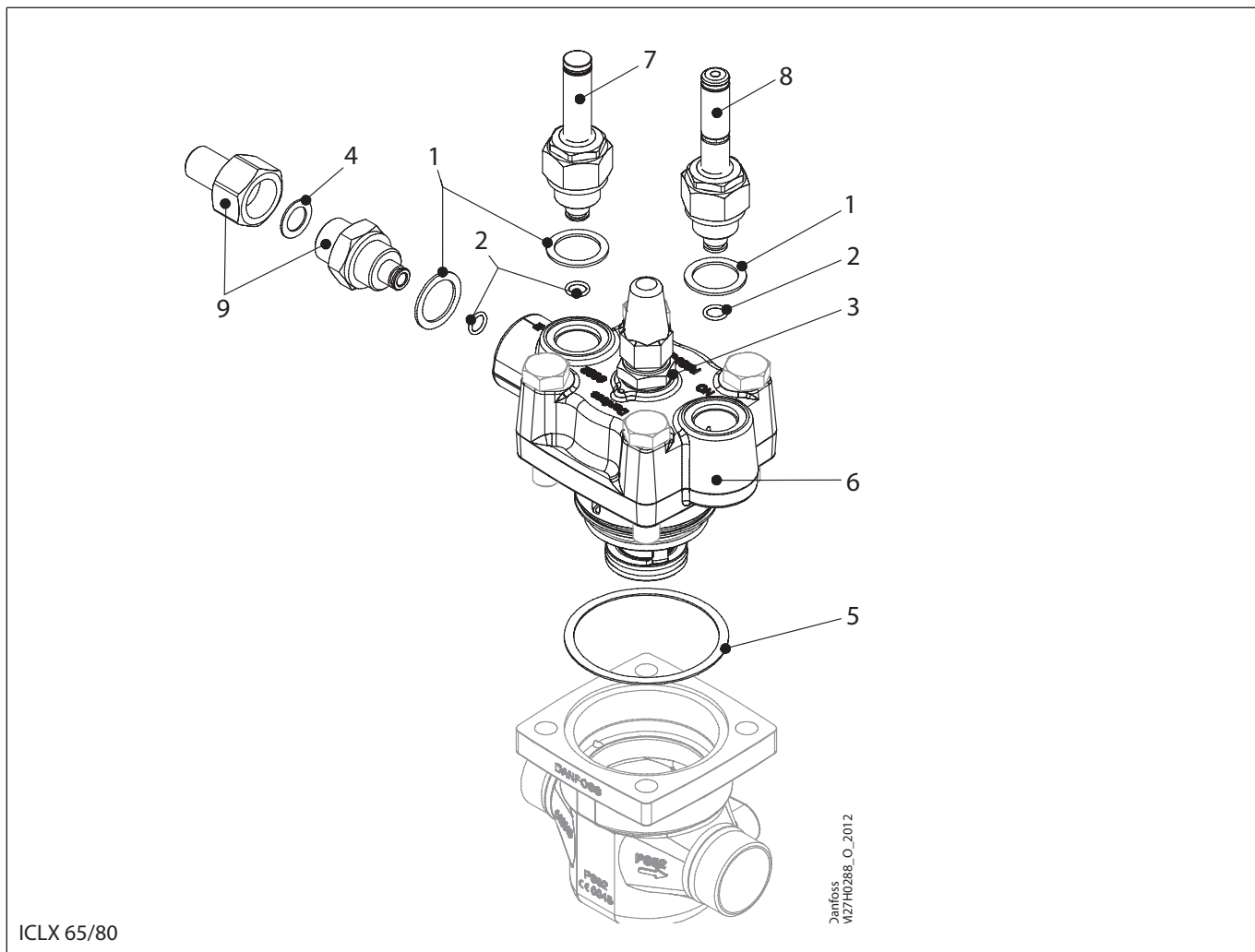
ICLX 50

Danfoss
M27H0288_O_2012

<p>1</p> <p> = Fibre</p> <p>Total no. = 3</p>	<p>2</p> <p> = Fibre</p> <p>Total no. = 3</p>	<p>3</p> <p> = Alu.</p> <p>Total no. = 1</p>	<p>4</p> <p> = Alu.</p> <p>Total no. = 1</p>	<p>5</p> <p> = Fibre</p> <p>Total no. = 1</p>
<p>6</p> <p>Total no. = 1</p>	<p>7</p> <p>Total no. = 1</p>	<p>8</p> <p>Total no. = 1</p>	<p>9</p> <p>Total no. = 1</p>	

ICLX, size 65/80

Overhaul kit | Code number 027H6204



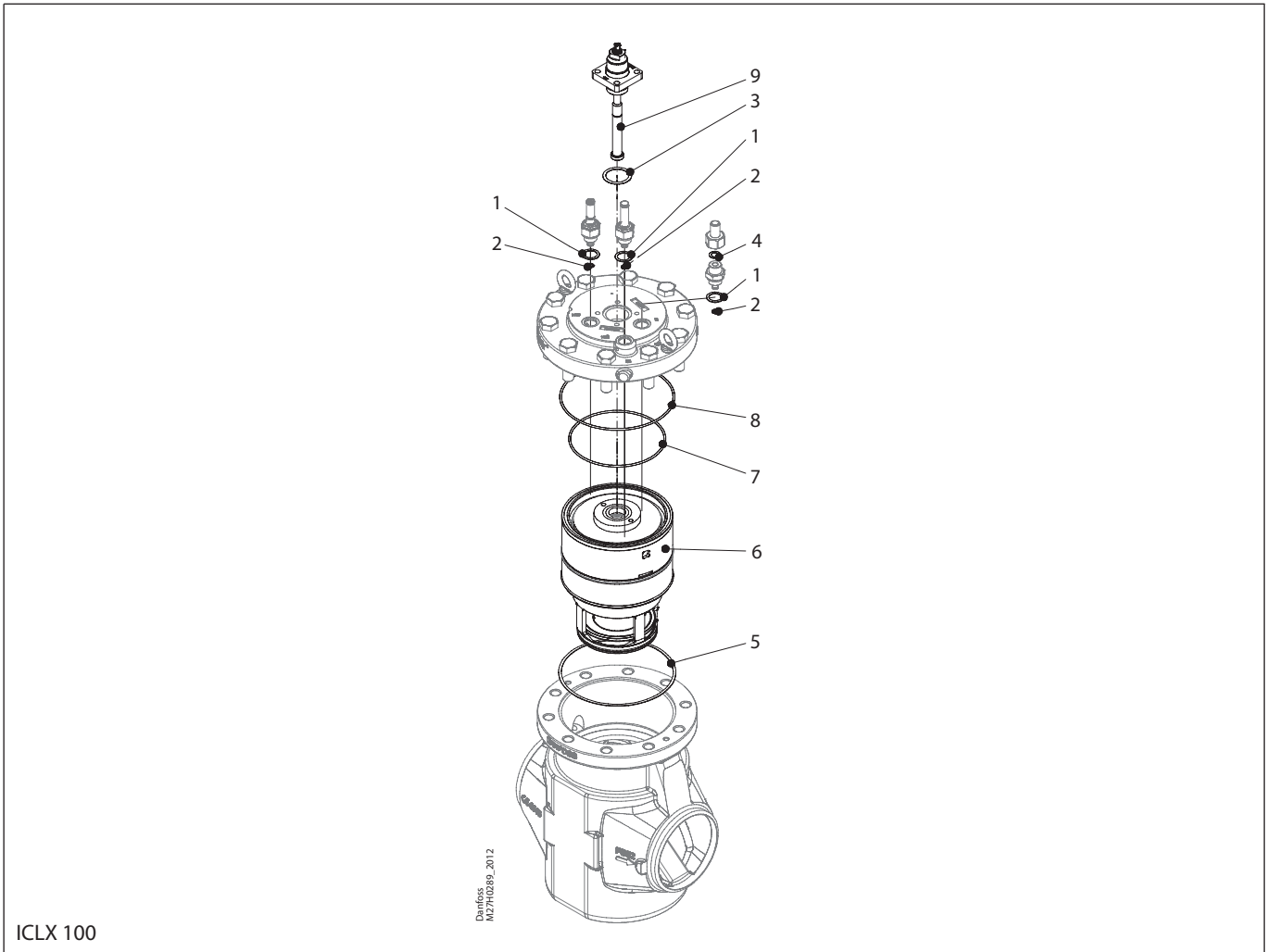
ICLX 65/80

Danfoss
V127H0288_O_2012

<p>1</p> <p> = Fibre</p> <p>Total no. = 3</p>	<p>2</p> <p></p> <p>Total no. = 3</p>	<p>3</p> <p> = Alu.</p> <p>Total no. = 1</p>	<p>4</p> <p> = Alu.</p> <p>Total no. = 1</p>	<p>5</p> <p> = Fibre</p> <p>Total no. = 1</p>
<p>6</p> <p>Total no. = 1</p>	<p>7</p> <p>Total no. = 1</p>	<p>8</p> <p>Total no. = 1</p>	<p>9</p> <p>Total no. = 1</p>	

ICLX, size 100

Overhaul kit | Code number 027H7221

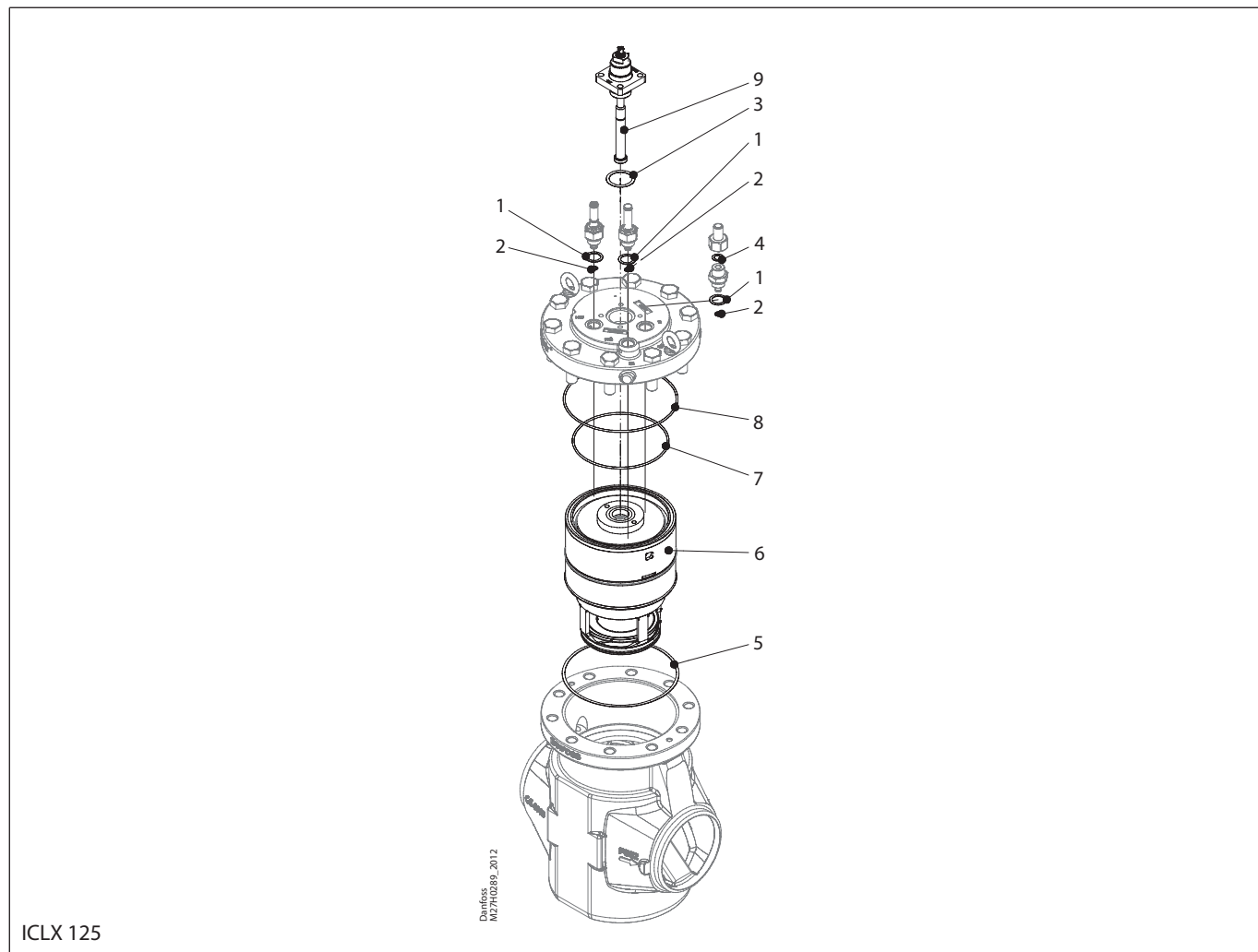


ICLX 100

<p>1</p> <p> = Fibre</p> <p>Total no. = 3</p>	<p>2</p> <p>Total no. = 3</p>	<p>3</p> <p> = Fibre</p> <p>Total no. = 1</p>	<p>4</p> <p> = Alu.</p> <p>Total no. = 1</p>	<p>5</p> <p> = Fibre</p> <p>Total no. = 1</p>
<p>6</p> <p>Total no. = 1</p>	<p>7</p> <p>Total no. = 1</p>	<p>8</p> <p>Total no. = 1</p>	<p>9</p> <p>Total no. = 1</p>	

ICLX, size 125

Overhaul kit | Code number 027H7222

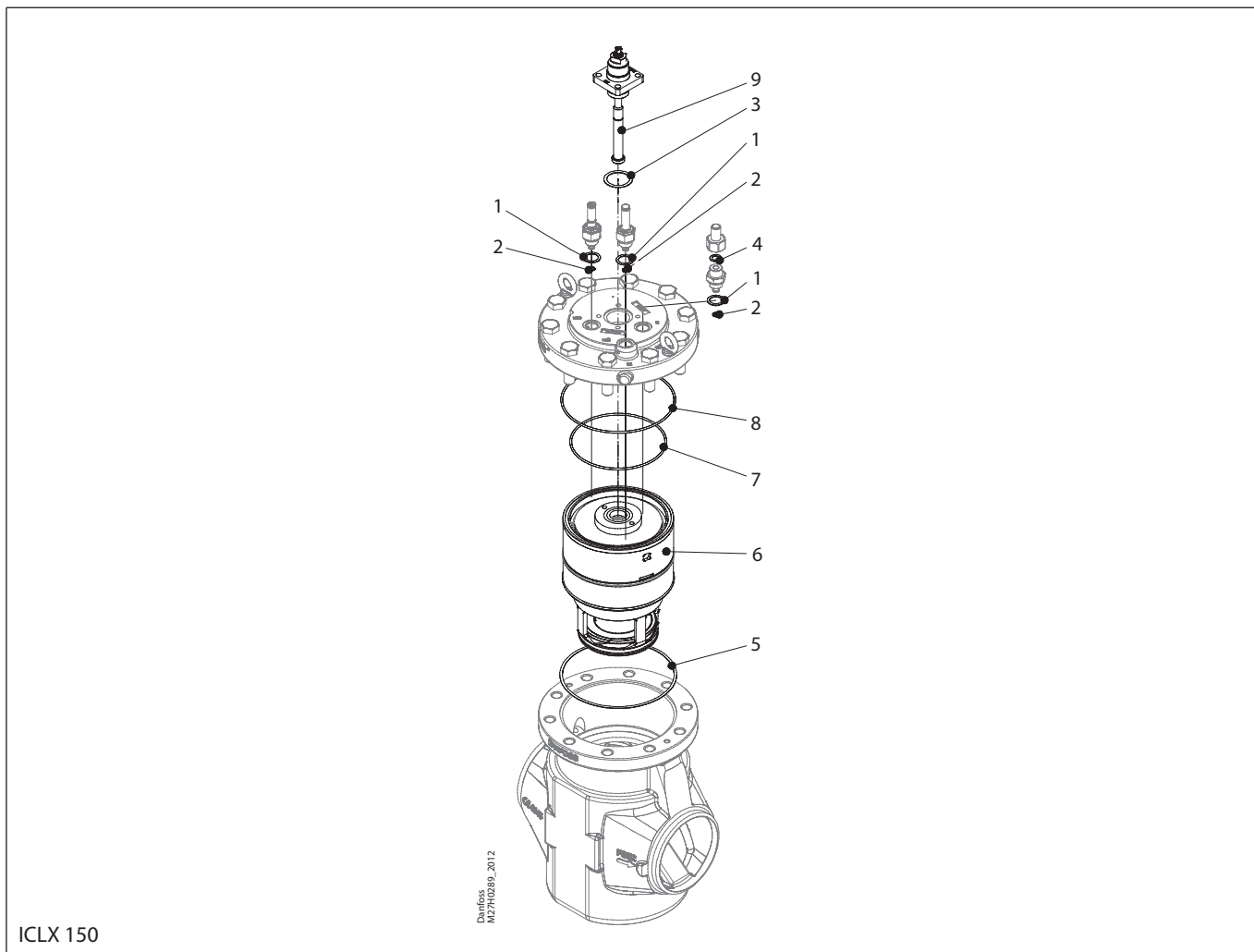


ICLX 125

<p>1</p> <p> = Fibre</p> <p>Total no. = 3</p>	<p>2</p> <p> = Fibre</p> <p>Total no. = 3</p>	<p>3</p> <p> = Fibre</p> <p>Total no. = 1</p>	<p>4</p> <p> = Alu.</p> <p>Total no. = 1</p>	<p>5</p> <p> = Fibre</p> <p>Total no. = 1</p>
<p>6</p> <p>Total no. = 1</p>	<p>7</p> <p> = Fibre</p> <p>Total no. = 1</p>	<p>8</p> <p> = Fibre</p> <p>Total no. = 1</p>	<p>9</p> <p>Total no. = 1</p>	

ICLX, size 150

Overhaul kit | Code number 027H7223



ICLX 150

<p>1</p> <p> = Fibre</p> <p>Total no. = 3</p>	<p>2</p> <p>Total no. = 3</p>	<p>3</p> <p> = Fibre</p> <p>Total no. = 1</p>	<p>4</p> <p> = Alu.</p> <p>Total no. = 1</p>	<p>5</p> <p> = Fibre</p> <p>Total no. = 1</p>
<p>6</p> <p>Total no. = 1</p>	<p>7</p> <p>Total no. = 1</p>	<p>8</p> <p>Total no. = 1</p>	<p>9</p> <p>Total no. = 1</p>	

